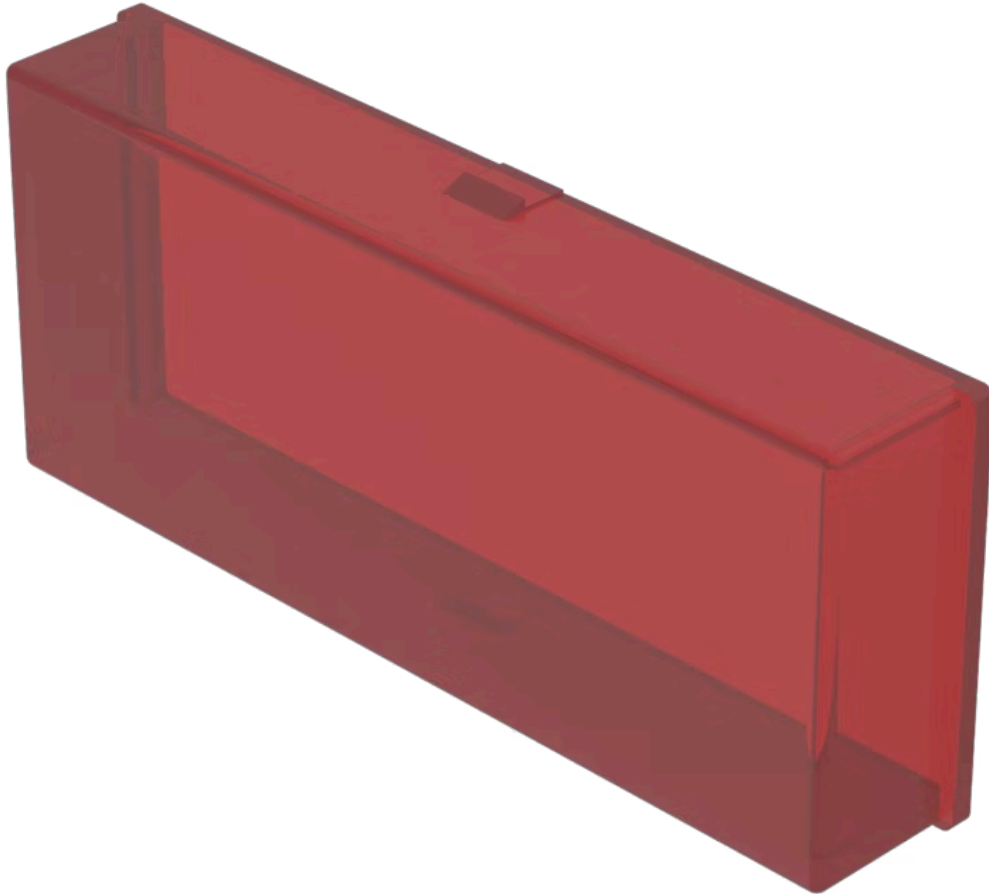


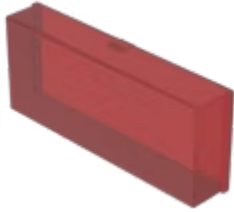
Hold-down unit

03-908.2



<https://eao.com/p/03-908.2>

Your product:



03-908.2 Hold-down unit

FRONT

Colour: Red

MECHANICAL CHARACTERISTIC

Weight: 0.001 kg

OTHER

Short Description: Hold-down unit, Plastic, translucent, Red

Titel Accessory: Hold-down unit

Material: Plastic

Optics: translucent

Mouser Electronics

Authorized Distributor

Click to View Pricing, Inventory, Delivery & Lifecycle Information:

[EAO:](#)

[03-908.2](#)