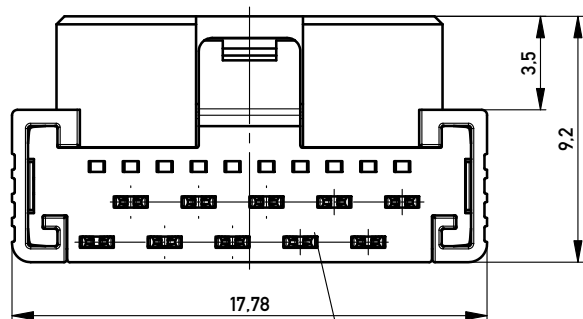
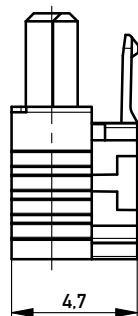


Kontaktbezeichnung
contact marking



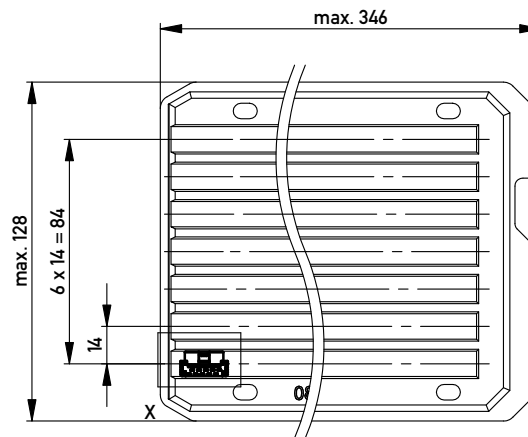
Flachbandkabelführung: schwarz
wire guide: black



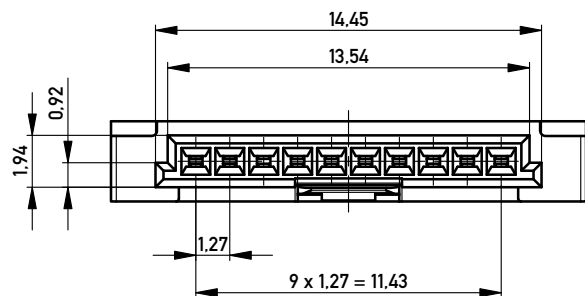
mit aufgesetzter
Drahtführung
(Anlieferungszustand)
with wire guide mounted
(state at time of supply)



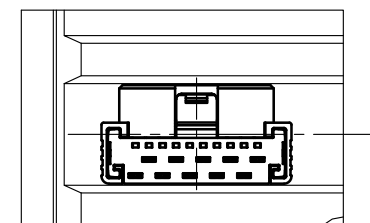
Drahtführung verpresst
(wire guide pressed on)



Verpackt in Tray - tray packaging
Verpackungseinheit 119 Stück - packaging unit 119 pcs



Einzelheit X - detail X
M 2:1



ohne Hilfsmittel lösbar
without tool unlockable

Information:	Tolerances	 All Dimensions in mm	Scale	5:1
	All rights reserved. Only for Information. To ensure that this is the latest version of this drawing, please contact one of the ERNI companies before using.		Subject to modification without prior notice. Drawing will not be updated.	Designation 1.27 SRC A SKV, 10-polig 1.27 SRC A IDC, 10-pin
a Index	28.03.2011 Date	 www.ERNI.com	234473	
			Class	SRCA
				I A3

Copyright by ERNI GmbH
Proprietary notice pursuant to ISO 9006 to be observed.

Mouser Electronics

Authorized Distributor

Click to View Pricing, Inventory, Delivery & Lifecycle Information:

[ERNI Electronics:](#)

[234473](#)