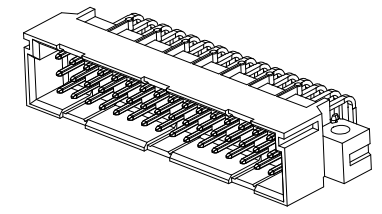
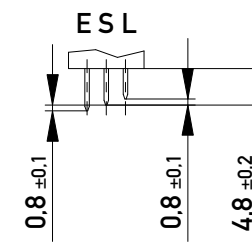


Stecklänge / mating length



E = early mate, late break / voreilend

S = standard

L = late mate, early break / nacheilend

THR = through hole reflow

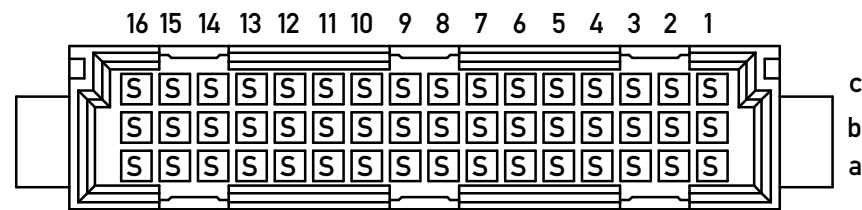
Bauart 4 / type 4

Anforderungsstufe 2 = 400 Steckzyklen / performance class 2 = 400 mating cycles

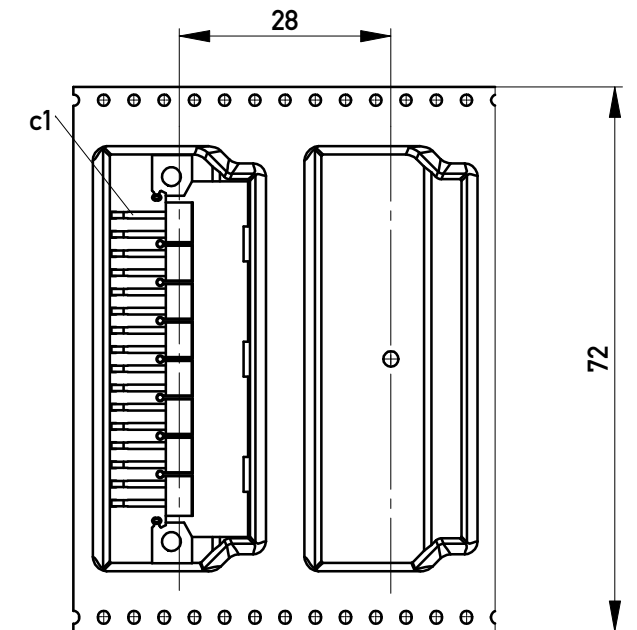
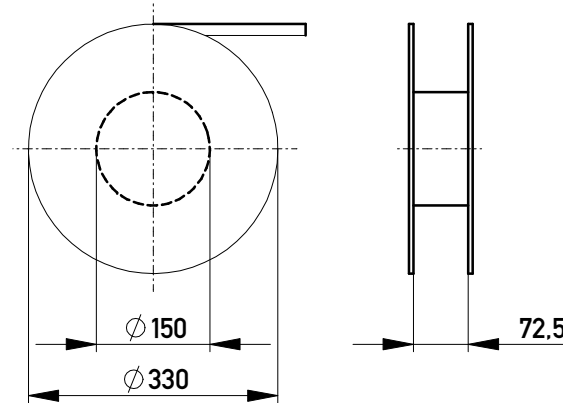
Fehlende Maße und Angaben nach IEC 60 603-2 / DIN EN 60 603-2

Missing information and dimensions per IEC 60 603-2 / DIN EN 60 603-2

Bestückungsplan / contact layout

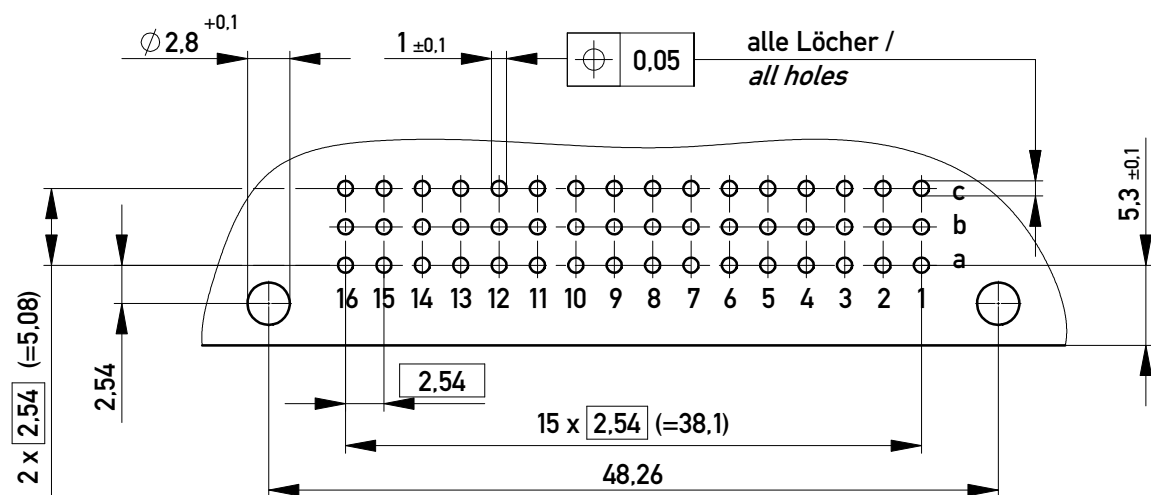


Verpackt in Gurtverpackung - Tape on Reel Packaging
Verpackungseinheit: 150 Stück - Packaging unit: 150 pcs



Abspulrichtung - Reel off Direction

Leiterplatten- Lochbild / PCB drillhole pattern



Copyright by ERNI GmbH
Proprietary notice pursuant to ISO 16016 to be observed.

Information:		Tolerances	Scale 2:1
All rights reserved. Only for Information. To ensure that this is the latest version of this drawing, please contact one of the ERNI companies before using.		All Dimensions in mm	Designation
Subject to modification without prior notice. Drawing will not be updated.		www.ERNI.com	Messerleiste C/2 48 THR Male Con. C/2 48 THR
a	17.10.2013	ERNI	444382
Index	Date		1
Class		STVC/2	A3

Mouser Electronics

Authorized Distributor

Click to View Pricing, Inventory, Delivery & Lifecycle Information:

[ERNI Electronics:](#)

[444382](#)