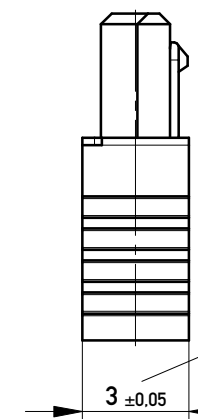
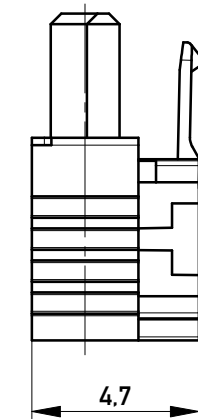
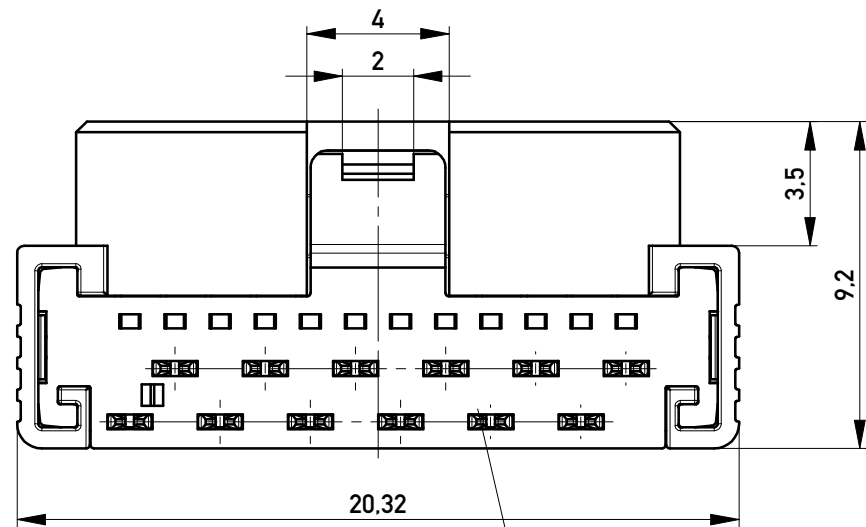
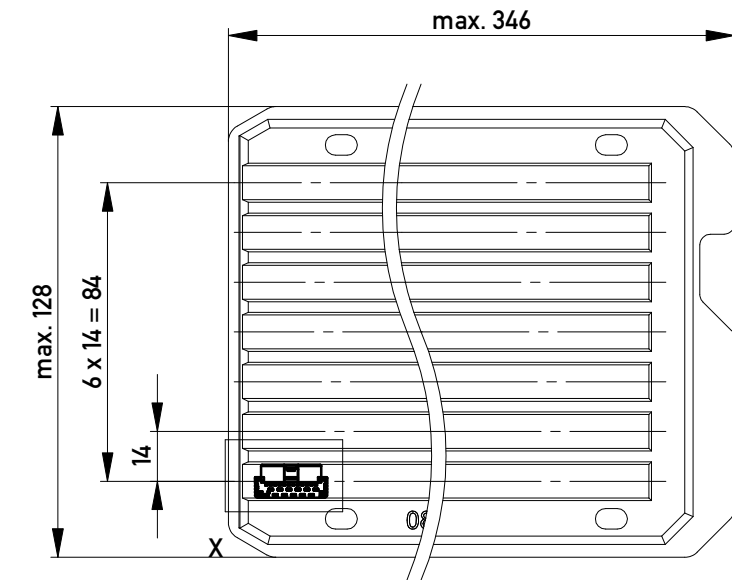


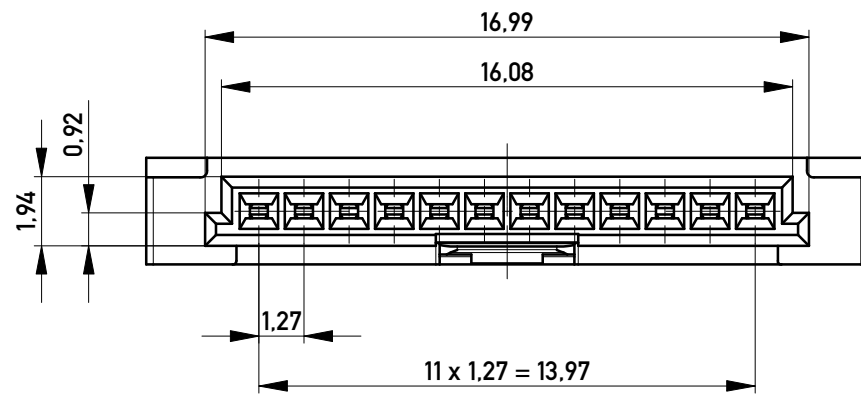
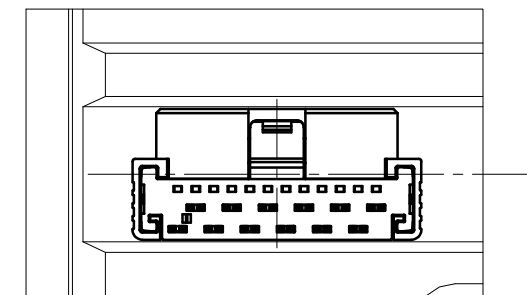
Verpackt in Tray - tray packaging
 Verpackungseinheit 105 Stück - packaging unit 105 pcs




Funktionsrelevantes Prüfmerkmal
 siehe Verarbeitungsspezifikation
 MiniBridge ERNI Electronics GmbH



Einzelheit X - detail X
 M 2:1



ohne Hilfsmittel lösbar
 without tool unlockable

Information: All rights reserved. Only for Information. To ensure that this is the latest version of this drawing, please contact one of the ERNI companies before using.	Tolerances All Dimensions in mm	Scale	5:1	Designation F 1,27 SRC A IDC 12-pin d=1,07 AWG 24/26 Friction Lock
		 www.ERNI.com		
b	19.05.2015	Class		SRCA
Index	Date			I A3

Copyright by ERNI GmbH
 Proprietary notice pursuant to ISO 16016 to be observed.

Mouser Electronics

Authorized Distributor

Click to View Pricing, Inventory, Delivery & Lifecycle Information:

[ERNI Electronics:](#)

[234487](#)