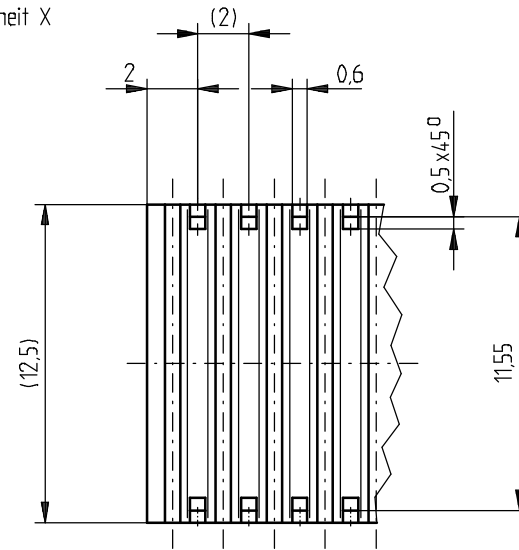
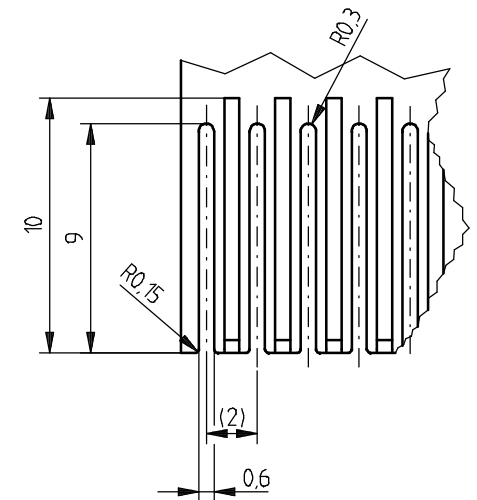


Einzelheit X
M 5:1



Einzelheit Z
M 5:1



Consider protection memo from DIN 34	Information:	Tolerances	 All Dimensions in mm	Scale	2:1	BAUGRUPPE
	All rights reserved. Only for information. To insure that this is the latest version of this drawing, please contact one of the ERNI companies before using.	Subject to modification without prior notice. Drawing will not be updated.		Designation	EP-OT ERMET M BAUF. C	
d	30.01.2001	ERNI	www.ERNI.com	220013		1
Index	Date	N:00002499.SZA		VOREP		

Mouser Electronics

Authorized Distributor

Click to View Pricing, Inventory, Delivery & Lifecycle Information:

[ERNI Electronics:](#)

[220013](#)