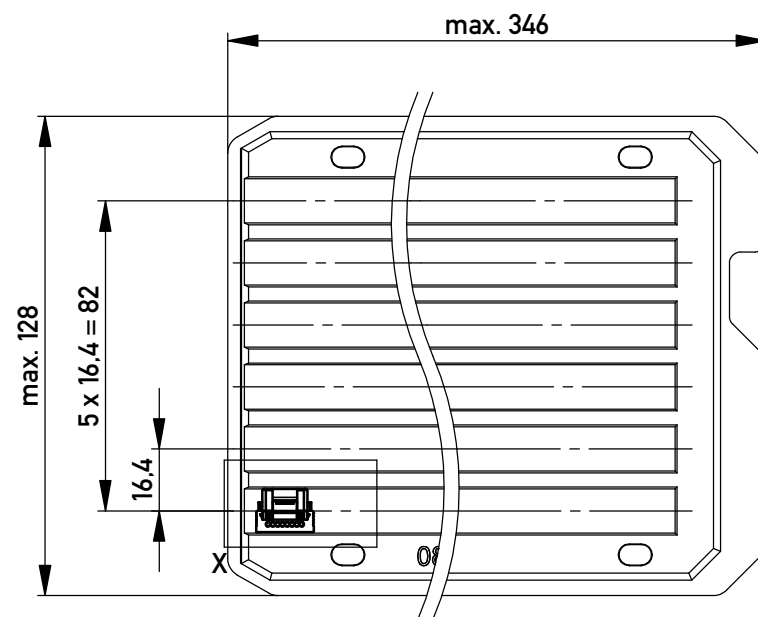
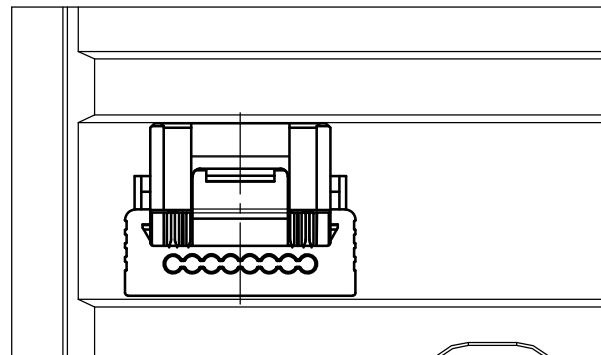


Verpackt in Tray - *tray packaging*  
Verpackungseinheit 120 Stück - *packaging unit 120 pcs*

Einzelheit X - *detail X*  
M 2:1



nur mit Hilfsmittel lösbar, für die Anforderung nach  
PG 9 der LV214 (Koshiri-Sicherheit)  
*only with tool unlockable, for the requirement of the  
LV214 PG 9 (Koshiri-security)*

Information:  All rights reserved. Only for Information. To ensure that this is the latest version of this drawing, please contact one of the ERNI companies before using.	Tolerances  Subject to modification without prior notice. Drawing will not be updated.	 All Dimensions in mm	Scale	5:1	Designation  <b>F 1,27 SRC P IDC 08-pin KS</b> <b>d=1,07 AWG 24/26 Positive Lock</b>
			www.ERNI.com	<b>484659</b>	
Index	Date	ERNI	Class	SRCP	

Copyright by ERNI Production GmbH & Co. KG  
Proprietary notice pursuant to ISO 16016 to be observed.

# Mouser Electronics

Authorized Distributor

Click to View Pricing, Inventory, Delivery & Lifecycle Information:

[ERNI Electronics:](#)

[484659](#)