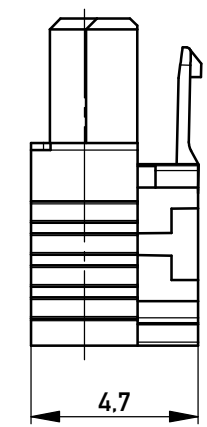
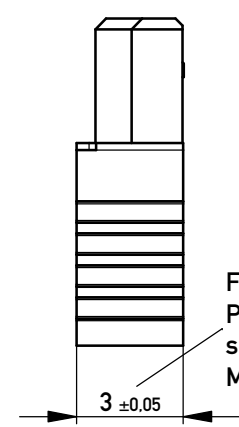


Kabelführung: rot  
cable guide: red

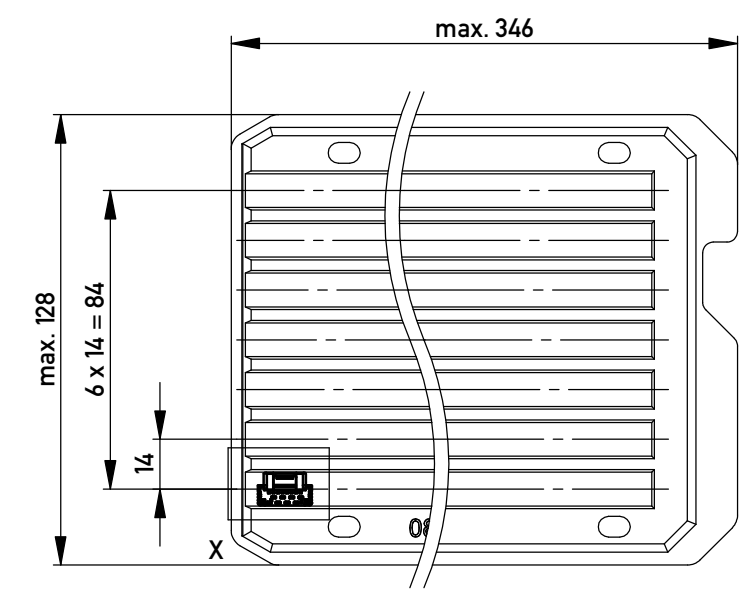


mit aufgesetzter  
Kabelführung  
(Anlieferungszustand)  
with cable guide mounted  
(state at time of supply)

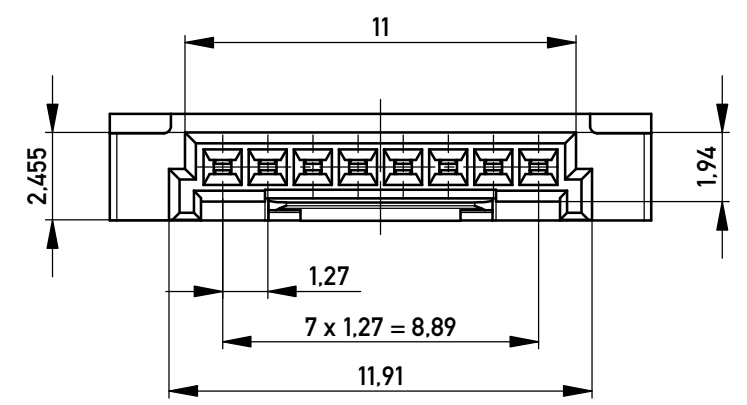
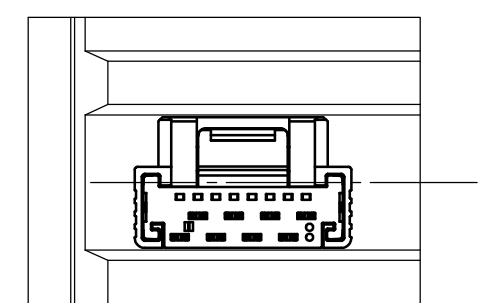


Kabelführung verpresst  
(cable guide pressed on)

Verpackt in Tray - tray packaging  
Verpackungseinheit 140 Stück - packaging unit 140 pcs



Einzelheit X - detail X  
M 2:1



Federkontakt AWG 22 - Female Contact AWG 22  
Kabelführung  $\phi$ 1,27 - cable guide  $\phi$ 1,27

nur mit Hilfsmittel lösbar, für Einzeladern, für die Anforderung nach PG 9 der LV214 (Koshiri-Sicherheit)  
only with tool unlockable, for single conductors, for the requirement of the LV214 PG 9 (Koshiri-security)

Information:	Tolerances	 All Dimensions in mm	Scale	5:1
	All rights reserved. Only for Information. To ensure that this is the latest version of this drawing, please contact one of the ERNI companies before using.		Subject to modification without prior notice. Drawing will not be updated.	Designation <b>F 1,27 SRC A IDC 08-pin KS</b> <b>d=1,27 AWG 22 Positive Lock</b>
a Index	19.05.2015 Date	 www.ERNI.com	<b>484083</b>	
			Class	SRCA

Copyright by ERNI GmbH  
Proprietary notice pursuant to ISO 16016 to be observed.

I  
A3

# Mouser Electronics

Authorized Distributor

Click to View Pricing, Inventory, Delivery & Lifecycle Information:

[ERNI Electronics:](#)

[484083](#)