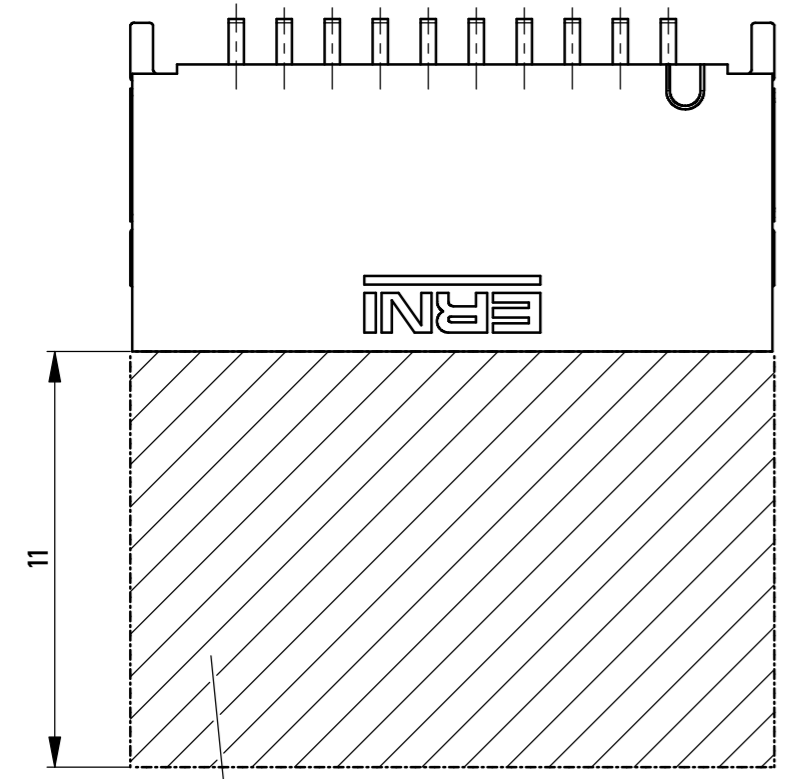
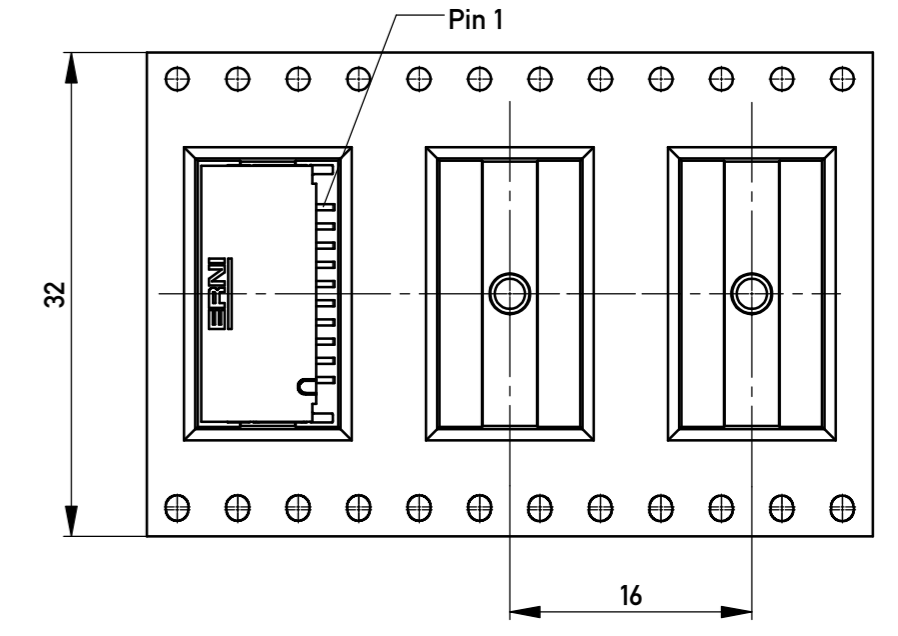
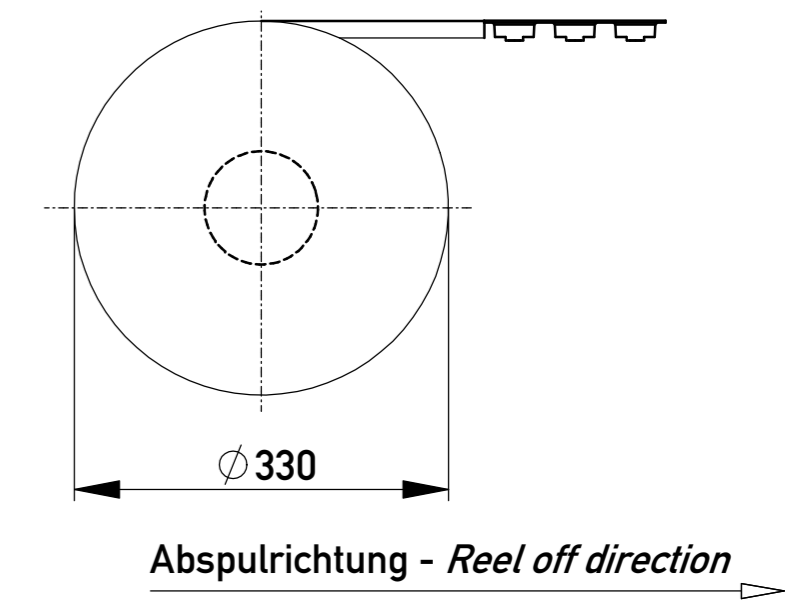
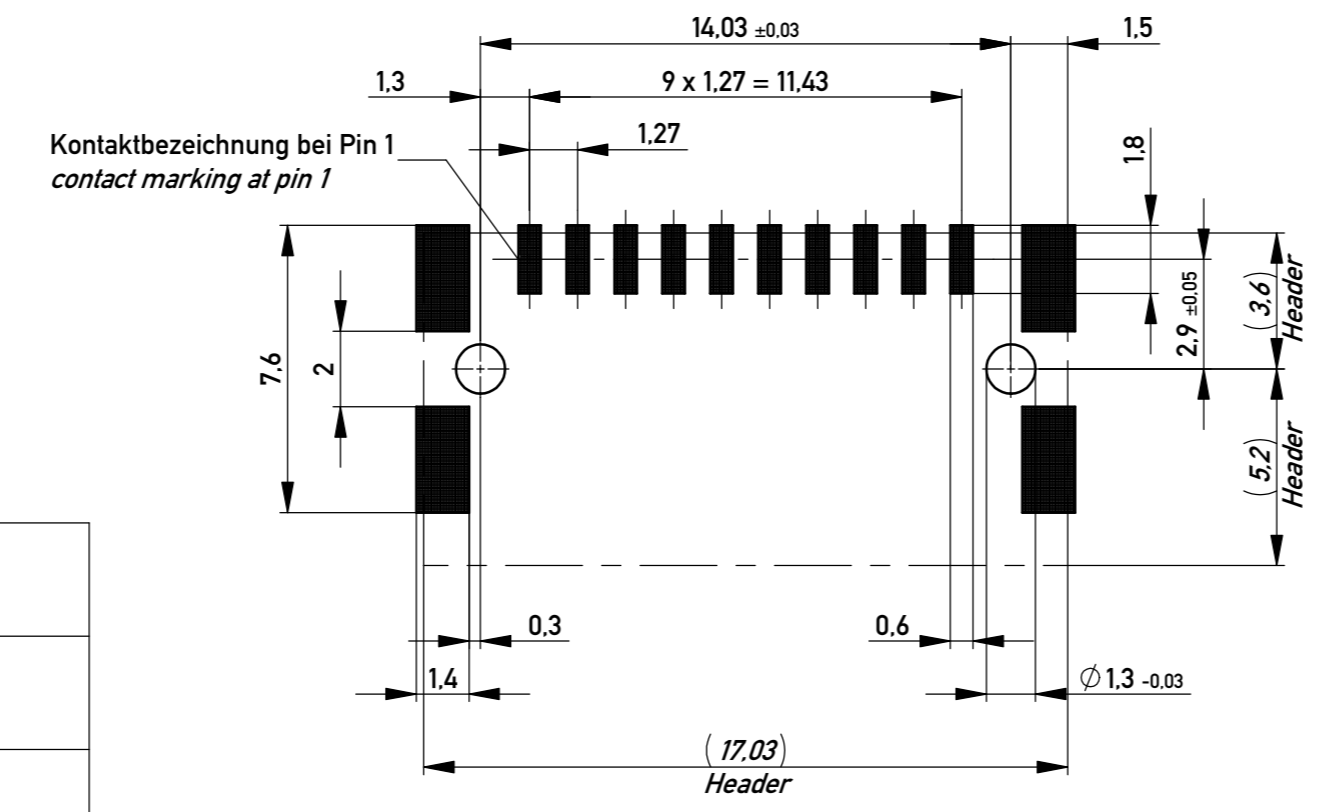


Verpackt im Gurt in Anlehnung an DIN IEC 60286-3  
 tape on reel packaging according to DIN IEC 60286-3  
 Verpackungseinheit: 900 Stück  
 packaging unit: 900 pcs



Sperrfläche für Leiterbahnen gültig bei Verwendung von Gegenstecker Federleiste 90° in IDC Ausführung  
 Restricted area for conductors valid for use by mating female connector 90° in IDC version

Layoutvorschlag  
 recommended layout



Anforderungsstufe 1  
 performance level 1  
 Kontaktbereich vergoldet  
 mating area gold plating  
 Anschlussbereich verzinkt 4-6 µm  
 terminal area 4-6 µm tin plating  
 Koplanarität der Anschlüsse ≤ 0,1 mm  
 coplanarity area of termination ≤ 0,1 mm

504298		rot red	2.25	
504297		grün green	2.25	
504296		blau blue	0.75	
504295		schwarz black	0.75	
Ident-Nr. part-no.	Codierung coding	Farbe colour	A	Bemerkung remark

Information:		Tolerances ISO 2768-FH ISO 8015		Scale 5:1
All rights reserved. Only for Information. To ensure that this is the latest version of this drawing, please contact one of the ERNI companies before using.		Subject to modification without prior notice. Drawing will not be updated.		Designation M 1.27 MCB-A SMT 10-pin
Copyright by ERNI Production GmbH & Co. KG Proprietary notice pursuant to ISO 10014 to be observed.		www.ERNI.com		504294
b	31.07.2018			1
Index	Date	Class MCBA		A2

# Mouser Electronics

Authorized Distributor

Click to View Pricing, Inventory, Delivery & Lifecycle Information:

[ERNI Electronics:](#)

[504295](#)