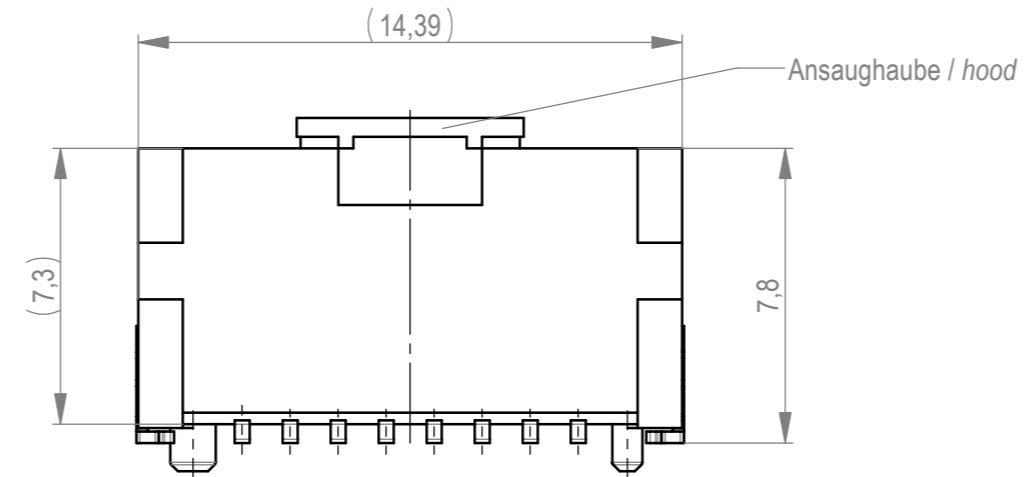
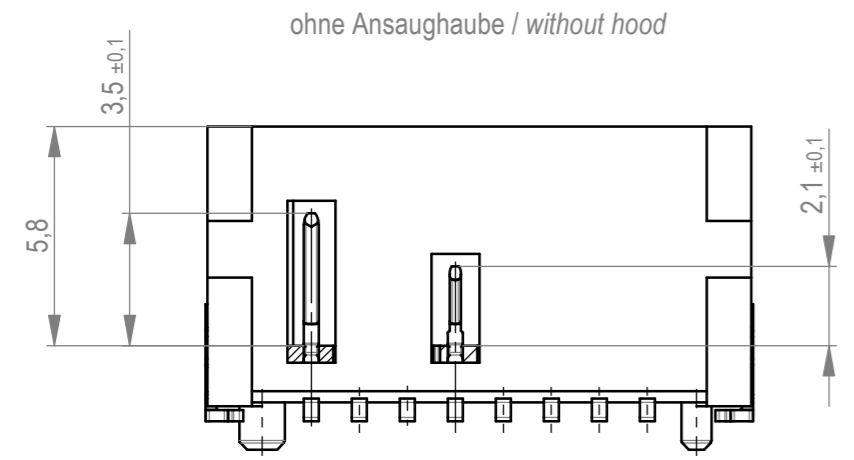
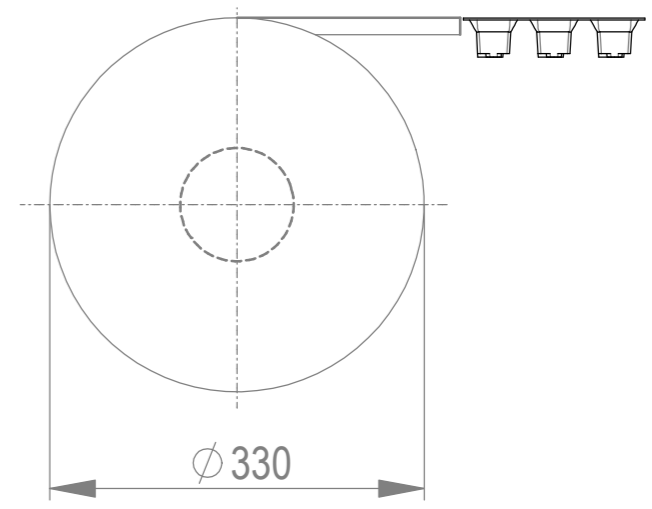
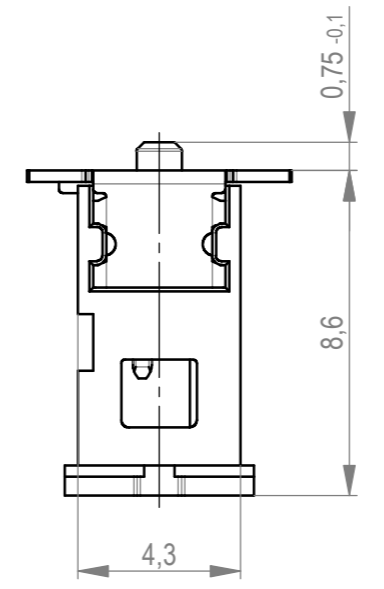
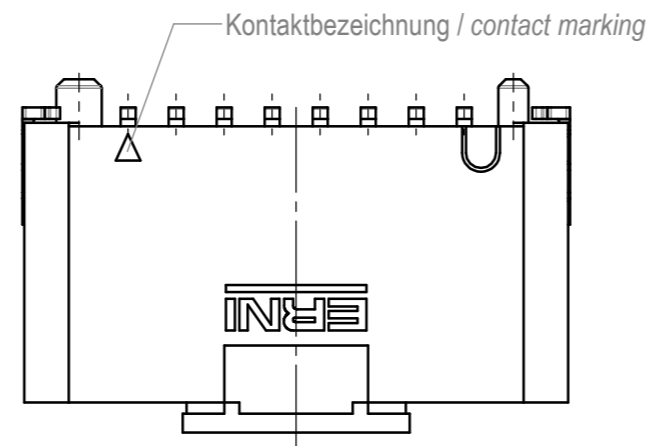
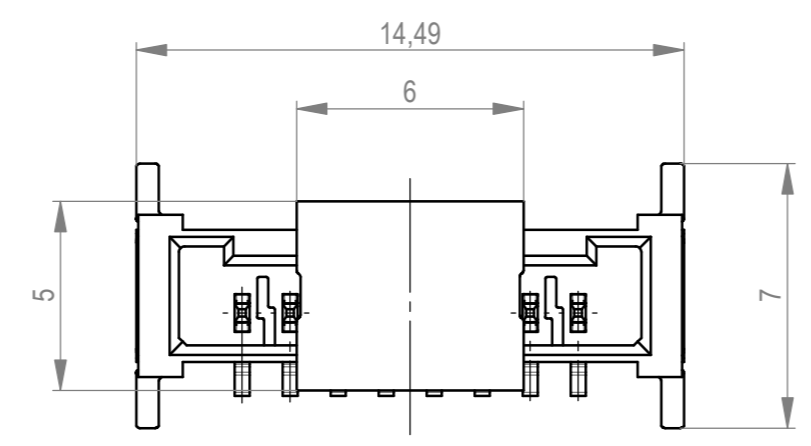
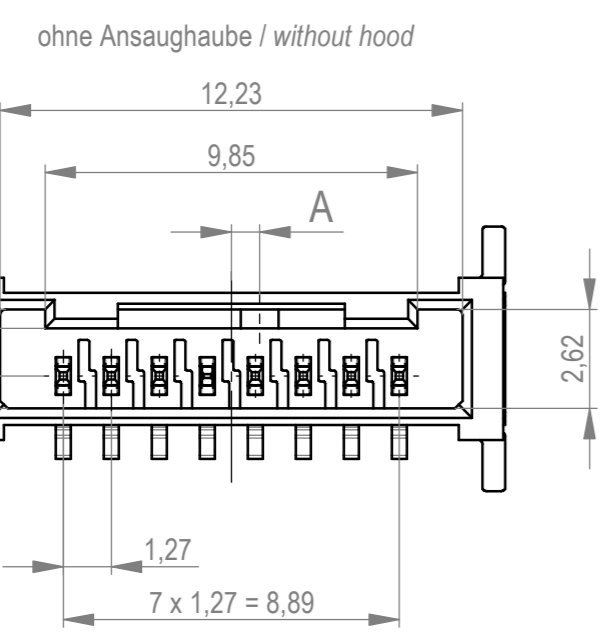
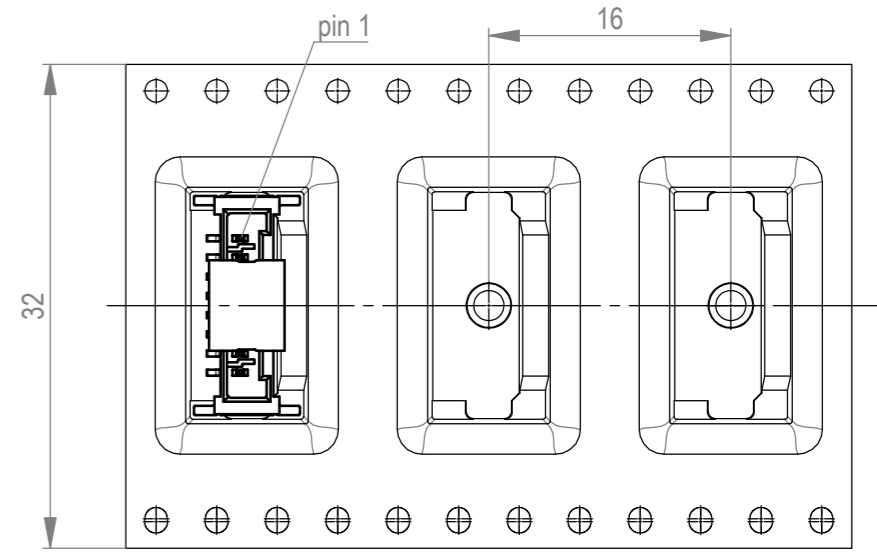


Verpackt im Gurt in Anlehnung an DIN IEC 60286-3
 tape on reel packaging according to DIN IEC 60286-3
 Verpackungseinheit: 440 Stück
 packaging unit: 440 pcs

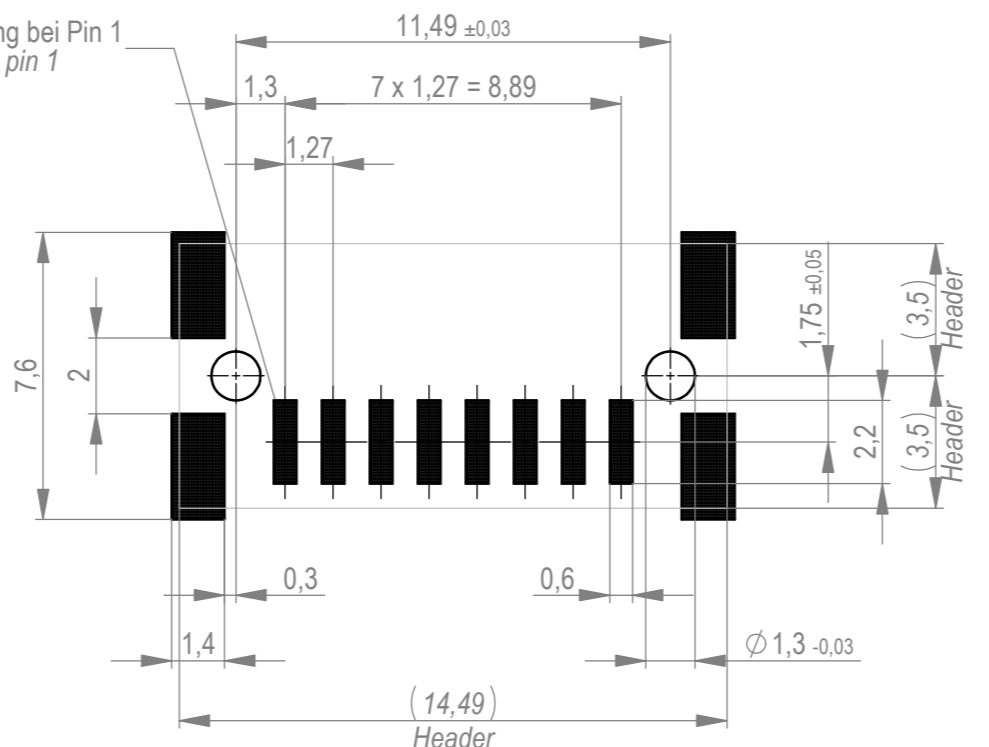


Abspulrichtung - reel off direction



Layoutvorschlag
 recommended layout

Kontaktbezeichnung bei Pin 1
 contact marking at pin 1



Anforderungsstufe 1
 performance level 1

Kontaktbereich vergoldet
 mating area gold plating

Anschlussbereich verzinkt 4-6 µm
 terminal area 4-6 µm tin plating

Koplanarität der Anschlüsse ≤ 0,1 mm
 coplanarity area of termination ≤ 0,1 mm

515957		rot red	2,25	
515956		grün green	2,25	
515955		blau blue	0,75	
515954		schwarz black	0,75	
Ident-Nr. part-no.	Codierung coding	Farbe colour	A	Bemerkung remark

Dimension no.	Tolerances ISO 2768-FH ISO 8015	Scale 5:1 Material
Customer drawing: All rights reserved. Only for information. To ensure that this is the latest version of this drawing, please contact one of the ERNI companies before using.	Subject to modification without prior notice. Drawing will not be updated.	MicroBridge Male Straight SMT 08-pin CPA Pin Pos. 4 515953
b Index	14.09.2020 Date	ERNI International AG Zürichstrasse 72 8306 Brüttisellen - Zürich Switzerland Class MCBP

Die deutsche Version dieser Zeichnung dient nur zur Erläuterung der Handlung. Bei Abweichungen vom englischen Original gilt das englische Original. This drawing has been created for convenience only and may deviate from the original. In case of any deviation the English version shall prevail.

Mouser Electronics

Authorized Distributor

Click to View Pricing, Inventory, Delivery & Lifecycle Information:

[ERNI Electronics:](#)

[515954](#)