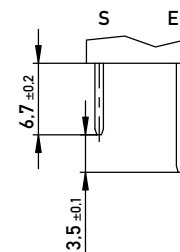
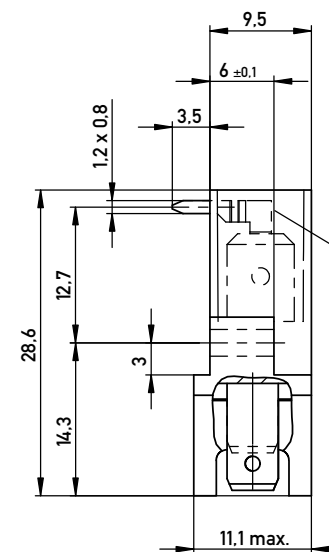
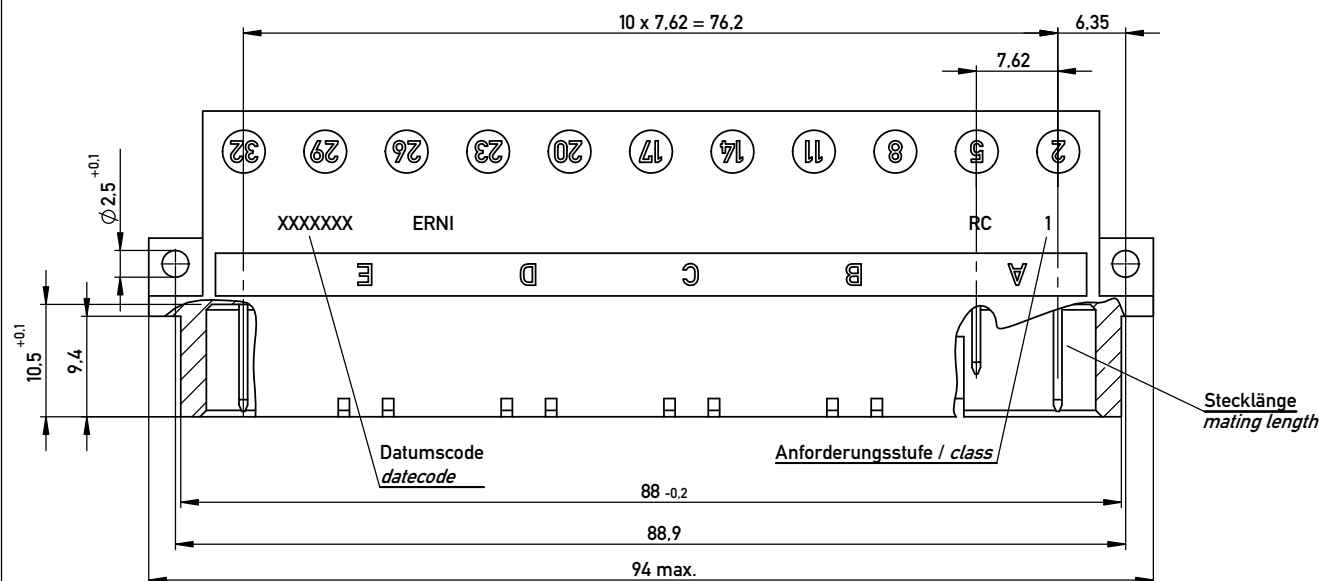


Stecklänge / mating length

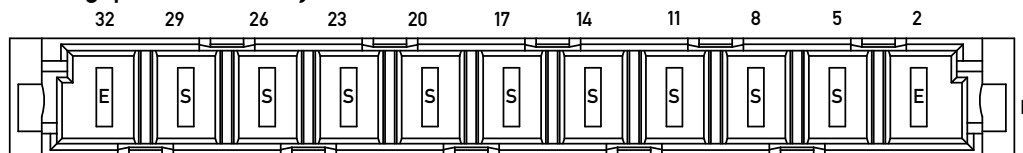


E = early mate, late break / voreilend

S = standard



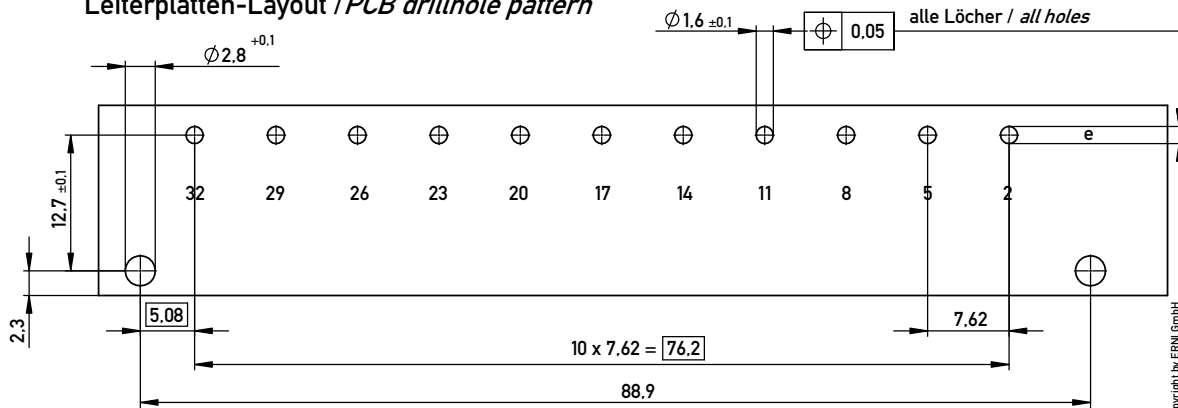
Bestückungsplan / contact layout



Lötanschluss 0.8 x 1.2 mm / solder terminal 0.8 x 1.2 mm
 Anforderungsstufe 1 = 500 Steckzyklen / performance class 1 = 500 mating cycles
 Bauart 3 / type 3

Fehlende Masse und Angaben nach DIN EN 60603-2 /
 Missing information and dimensions according to DIN EN 60603-2

Leiterplatten-Layout / PCB drillhole pattern



Information:		Tolerances	Scale 2:1
All rights reserved. Only for Information. To ensure that this is the latest version of this drawing, please contact one of the ERNI companies before using.		All Dimensions in mm	Designation
			Messerleiste H11 Löt Male Connector H11 Solder
www.ERNI.com		233235	
b	31.07.2015	I	
Index	Date	A3	
Class		STVH1	

Copyright by ERNI GmbH. Proprietary notice pursuant to ISO 9006 to be observed.

Mouser Electronics

Authorized Distributor

Click to View Pricing, Inventory, Delivery & Lifecycle Information:

[ERNI Electronics:](#)

[233235](#)