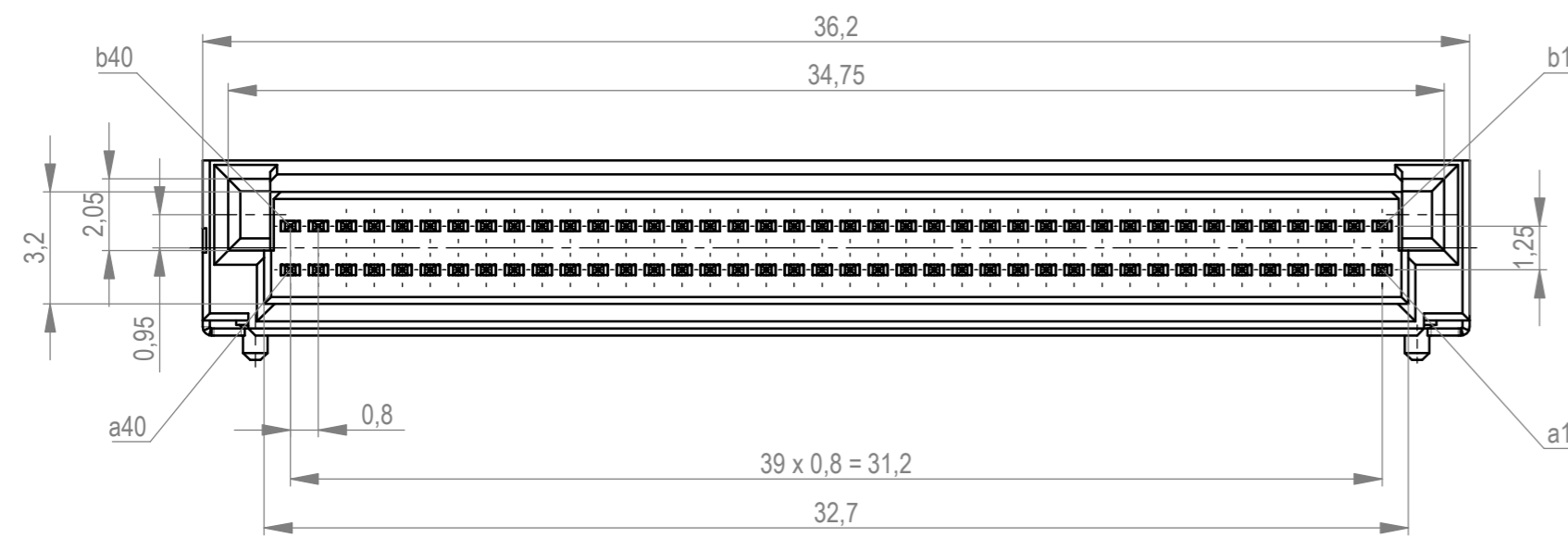
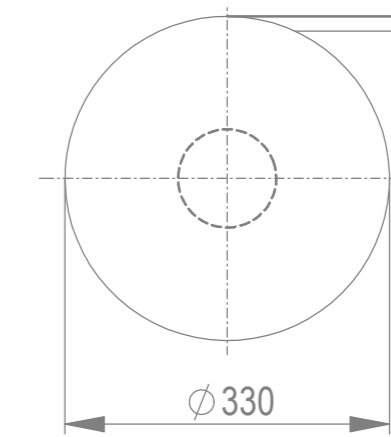
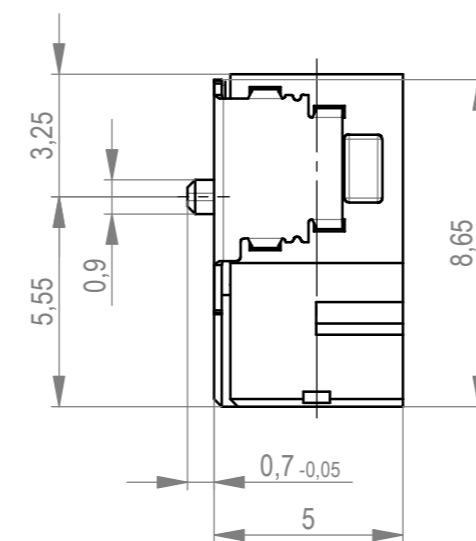
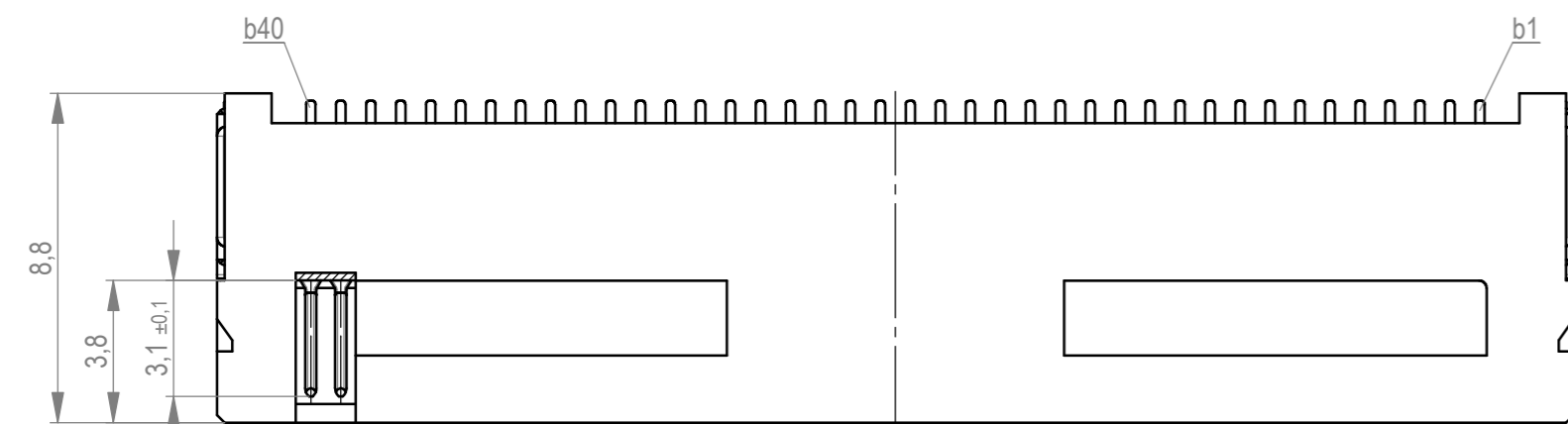
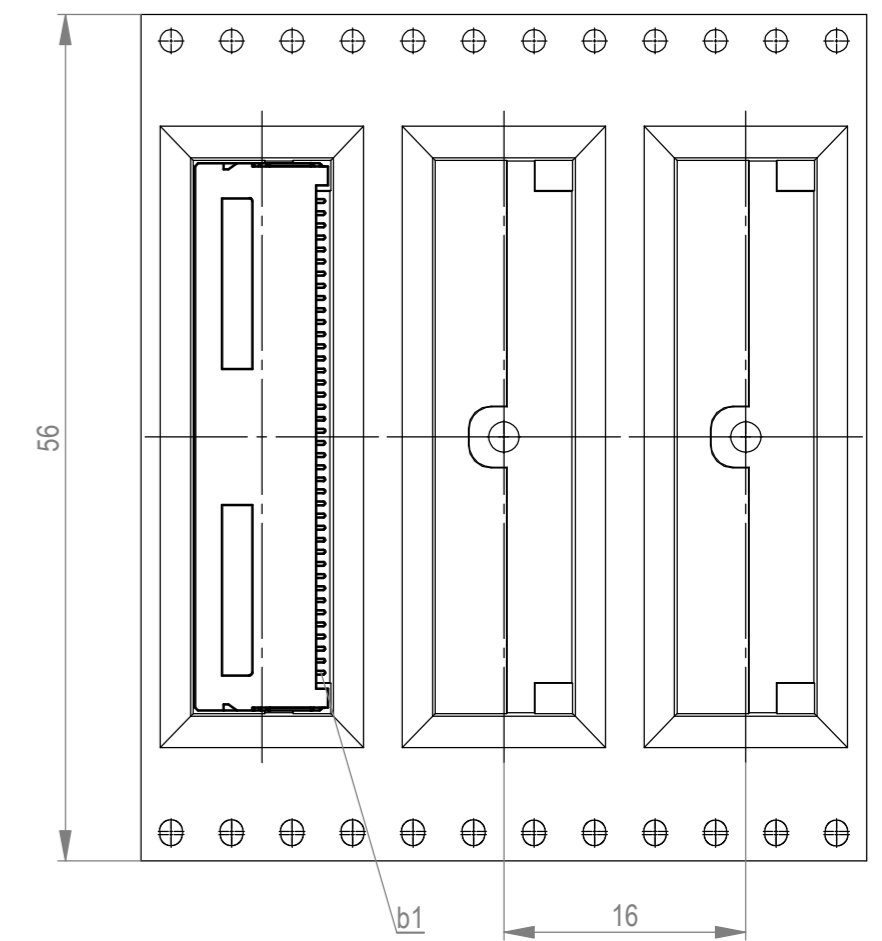


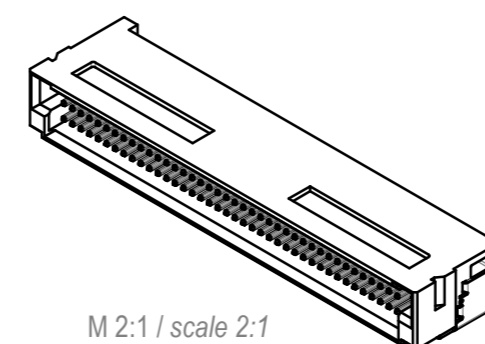
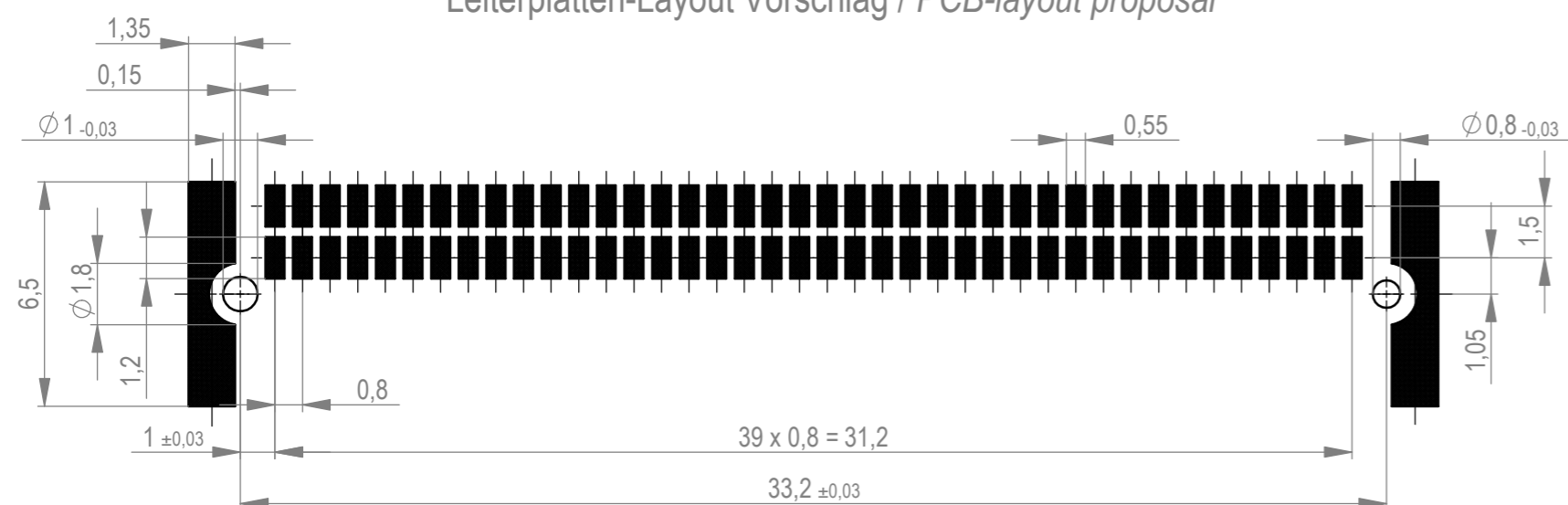
Verpackt im Gurt in Anlehnung an DIN IEC 60286-3
 tape on reel packaging according to DIN IEC 60286-3
 Verpackungseinheit: 660 Stück
 packaging unit: 660 pcs



Abspulrichtung - reel off direction →



Leiterplatten-Layout Vorschlag / PCB-layout proposal



M 2:1 / scale 2:1

Anforderungsstufe 1
 performance level 1

Kontaktbereich vergoldet
 mating area gold plating

Anschlussbereich verzinkt 4-6 µm
 terminal area 4-6 µm tin plating

Koplanarität der Anschlüsse ≤ 0,1 mm
 coplanarity area of termination ≤ 0,1 mm

Dimension no.	Tolerances	All Dimensions in mm	Scale 5:1
	ISO 8015		Material
Customer drawing:	Subject to modification without prior notice. Drawing will not be updated.		MicroCon Male Angeled 80 pin 294290
All rights reserved. Only for information. To ensure that this is the latest version of this drawing, please contact one of the ERNI companies before using.	ERNI International AG Zürichstrasse 72 8306 Brüttisellen - Zürich Switzerland		
b	07.07.2020		i
Index	Date		A2
		Class	DRCB

Die deutsche Version dieser Zeichnung dient nur zur Erleichterung der Handhabung. Bei Abweichungen vom englischen Original gilt das englische Original. All rights reserved for the benefit of the grant of a patent, utility model or design.

Mouser Electronics

Authorized Distributor

Click to View Pricing, Inventory, Delivery & Lifecycle Information:

[ERNI Electronics:](#)

[294290](#)