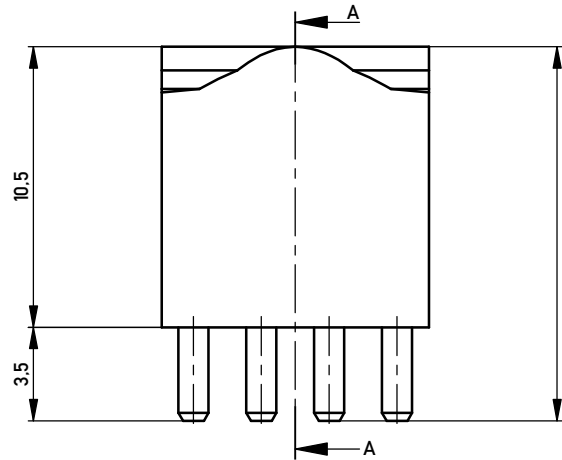
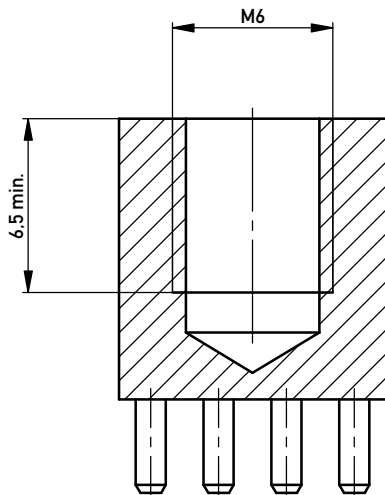
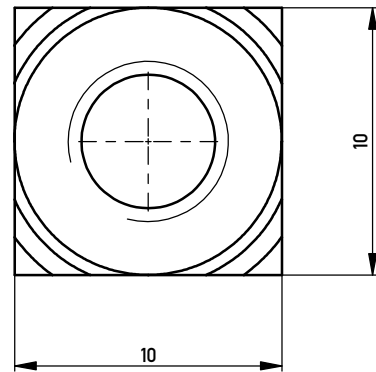
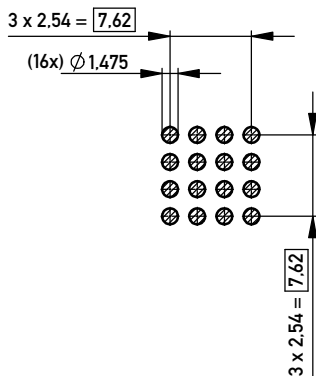


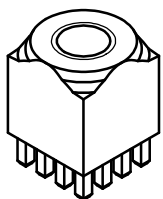
Schnitt A-A
cross section A-A



Layout - Vorschlag
PCB - Layout proposal
M 2:1
scale 2:1



M 2:1
scale 2:1



2-6µm Sn matt über 1-3µm Cu
2-6µm sn matt over 1-3µm cu
Ⓐ Oberfläche / plating

| | | | |
|--|------------|---|---------------------|
| Information: | | Tolerances | Scale 5:1 |
| All rights reserved. Only for Information. To ensure that this is the latest version of this drawing, please contact one of the ERNI companies before using. | | All Dimensions in mm | Material: CuZn39Pb3 |
| Subject to modification without prior notice. Drawing will not be updated. | | Designation PowerElement female thread <i>full population M6</i> | |
| ERNI www.ERNI.com | | 225684 | |
| b | 12.02.2018 | I | |
| Index | Date | A3 | |
| Class | | POWELM | |

Copyright by ERNI Production GmbH & Co. KG
Proprietary notice pursuant to ISO 9006 to be observed.

Mouser Electronics

Authorized Distributor

Click to View Pricing, Inventory, Delivery & Lifecycle Information:

[ERNI Electronics:](#)

[225684](#)