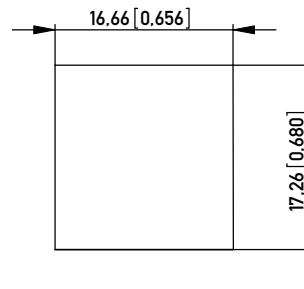


RECOMMENDED PANEL CUTOUT  
EMPFOHLENER FRONTPLATTEN AUSSCHNITT



NOTE 1: RoHS COMPLIANT; PRINT "RC" WITH DATE CODE

NO. IDENT.-NR.	LED 2 LEFT LED 2 LINKS	LED 1 RIGHT LED 1 RECHTS	LED CODE
203497	YELLOW	GREEN	L1

**MATERIALS AND FINISH**

HOUSING: GLASS FILLED POLYESTER UL 94 V-0 BLACK  
 SHIELDING: Cu ALLOY, PLATED WITH Ni  
 CONTACTS: PHOSPHOR BRONZE  
 CONTACT FINISH: Au, 0.8 µm (30 µin) OVER Ni  
 TERMINAL FINISH: Sn MATTE  
 LED LENS: EPOXY

**MECHANICAL CHARACTERISTICS**

DURABILITY: 1000 MATING CYCLES

**ELECTRICAL CHARACTERISTICS**

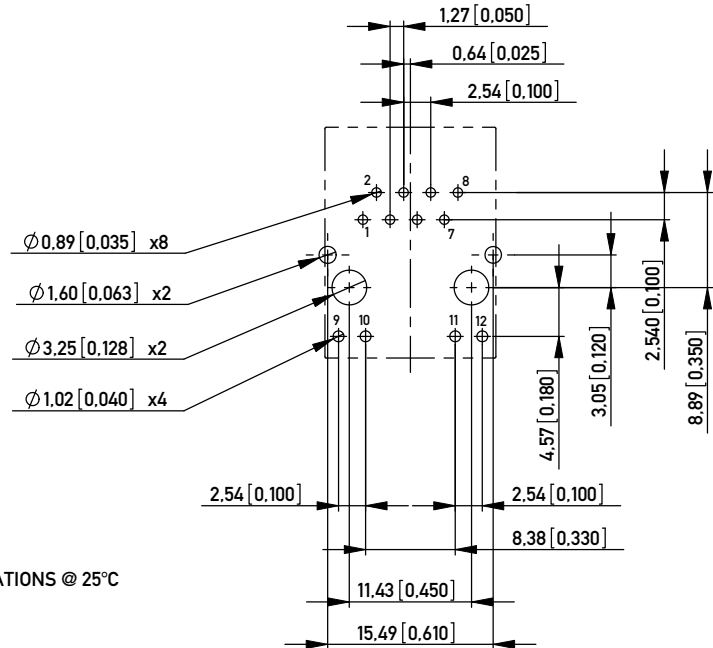
CONTACT RESISTANCE: 30 MILLIOHMS MAX  
 OPERATING TEMPERATURE: 0°C TO 70°C

Copyright by ERNI GmbH.  
Proprietary notice pursuant to ISO 16106 to be observed.

Information:		Tolerances		Scale 2:1
All rights reserved. Only for Information. To insure that this is the latest version of this drawing, please contact one of the ERNI companies before using.		Subject to modification without prior notice. Drawing will not be updated.		Designation <b>MOD - JACK MJIMV 1x1, 8C8T, VERTICAL, INT. MAG., LED</b>
C		23.02.2009		www.ERNI.com <b>203498</b>
Index	Date			
				1 (1/2) A3
Class				MJIM

ELECTRICAL SCHEMATIC 10/100 BASE TX - M3F01  
ELEKTRISCHES DIAGRAMM

RECOMMENDED PCB LAYOUT (COMPONENT SIDE VIEW)  
EMPFOHLENES LEITERPLATTEN-LAYOUT (BESTÜCKUNGSSEITE)  
TOL ±0.05 [0.002] UNLESS NOTED



MAGNETICS SPECIFICATIONS @ 25°C

URNS RATIO:  
(P1-P2 : J1-J2) 1CT : 1 ±3%  
(P3-P6 : J3-J6) 1CT : 1 ±3%

OCL(100 KHz, 0.1 Vrms, 8 mA)  
(P1-P2 : P3-P6) 350µH MIN

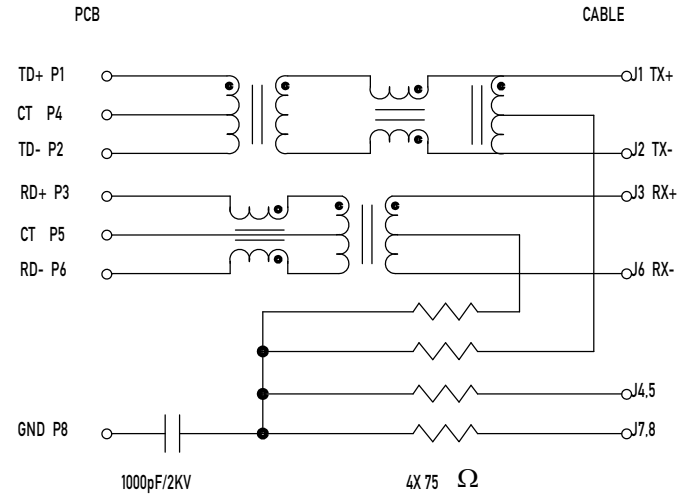
INSERTION LOSS:  
0.1-100 MHz -1.1 dB TYP

RETURN LOSS:  
0.5 - 30 MHz: -18 dB MIN  
40 MHz: -15.5 dB MIN  
50 MHz -13.6 dB MIN  
60 - 80 MHz -12 dB MIN

CROSSTALK:  
1-100 MHz -40 dB TYP

CMR:  
0.1 - 30 MHz -50 dB TYP  
30 - 60 MHz -40 dB TYP  
60 - 100 MHz -35 dB TYP

ISOLATION 1500 Vrms



LED SPECIFICATIONS  
LED ANWEISUNG

COLOR FARBE	V <sub>f</sub> TYP	V <sub>f</sub> MAX	I <sub>f</sub> mA	CIRCUIT DIAGRAM SCHALTPLAN
YELLOW	2.1	2.5	20	
GREEN	2.2	2.5	20	

Copyright by ERNI GmbH. Proprietary notice pursuant to ISO 16016 to be observed.

Information:	Tolerances 	Scale 2:1
All rights reserved. Only for Information. To insure that this is the latest version of this drawing, please contact one of the ERNI companies before using.	Subject to modification without prior notice. Drawing will not be updated.	Designation <b>MOD - JACK MJIMV</b> <b>1x1, 8C8T, VERTICAL, INT. MAG., LED</b>
www.ERNI.com	<b>203498</b>	1 (2/2) A3
Class MJIM		

# Mouser Electronics

Authorized Distributor

Click to View Pricing, Inventory, Delivery & Lifecycle Information:

[ERNI Electronics:](#)

[203497](#)