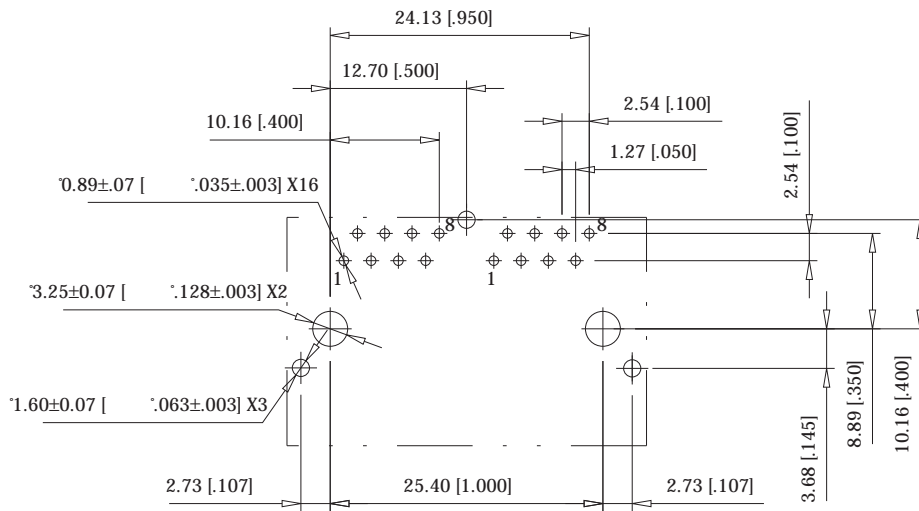


RECOMMENDED PCB LAYOUT - COMPONENT SIDE VIEW
 EMPFOHLENER FUER LEITERPLATTE - BESTÜCKUNGSEITE
 ALL TOLERANCES ±0.05 UNLESS NOTED



NOTE 1: ONE REAR SHIELD TAB CENTERED

NOTE 2: PANEL GROUND FLANGES BOTH SIDES, BOTTOM AND TOP (GF5)

MATERIALS AND FINISH

HOUSING: GLASS FILLED POLYESTER UL 94 V-0 BLACK
 SHIELDING: Cu ALLOY, PLATED WITH Ni
 CONTACTS: PHOSPHOR BRONZE
 CONTACT FINISH: Au, 0.8 μm (30 μin) OVER Ni
 TERMINAL FINISH: SnPb

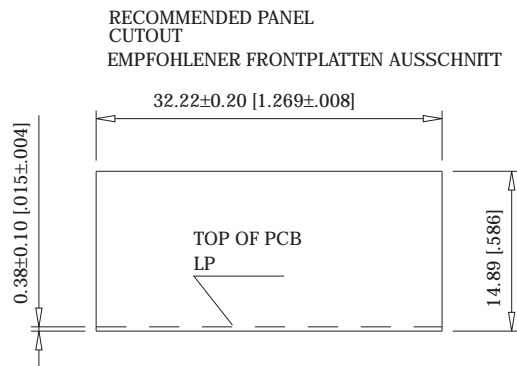
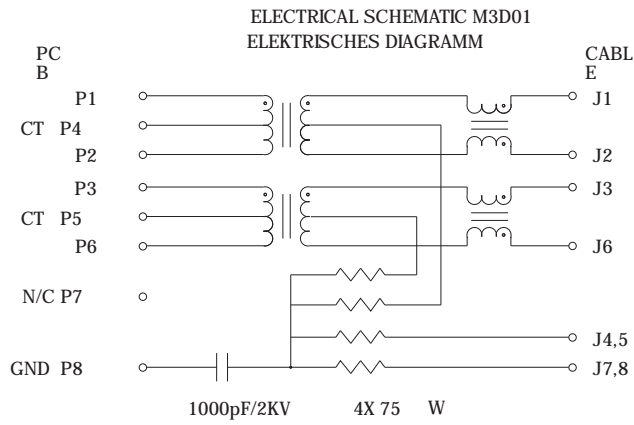
MECHANICAL CHARACTERISTICS

DURABILITY: 1000 MATING CYCLES

ELECTRICAL CHARACTERISTICS

CONTACT RESISTANCE: 30 MILLIOHMS MAX
 OPERATING TEMPERATURE: 0°C TO 70°C

Information:		Tolerances ISO 2768 m		Scale 2:1	-
All rights reserved. Only for information. To insure that this is the latest version of this drawing, please contact one of the ERNI companies before using.		Subject to modification without prior notice. Drawing will not be updated.		MAT'L	-
		www.ERNI.com		Designation MOD JACK - MJIM 8P8T, 1X2, INTEGRATED MAGNETICS	
b	19FEB04	SK		203156	
Rev.	Change No.	Date	Plot At	Group/Type	MAXM



MAGNETICS SPECIFICATIONS @ 25°C

AUTO MDIX COMPATIBLE

TURNS RATIO:

(P1-P2 : J1-J2) 1CT : 1 ±3%

(P3-P6 : J3-J6) 1CT : 1 ±3%

OCL(100 KHz, 0.1 Vrms, 8 mA)

(P1-P2 : P3-P6) 350µH MIN

DCR (P1-P2, P3-P6) 0.9 OHMS MAX

INSERTION LOSS:

0.1-100 MHz -1.1 dB MAX

RETURN LOSS:

0.5 - 30 MHz: -18 dB MIN

40 MHz: -15.5 dB MIN

50 MHz -13.6 dB MIN

60 - 80 MHz -12 dB MIN

CROSSTALK:

1-100 MHz -40 dB TYP

CMR:

0.1 - 30 MHz -50 dB TYP

30 - 60 MHz -40 dB TYP

60 - 100 MHz -35 dB TYP

ISOLATION 1500 Vrms

INFORMATION:	Tolerances	 All Dimensions in mm [in]	Scale	2:1
			MAT'L	-
All rights reserved. Only for information. To insure that this is the latest version of this drawing, please contact one of the ERNI companies before using.	Subject to modification without prior notice. Drawing will not be updated.	Designation		
		MOD JACK - MJIM 8P8T, 1X2, INTEGRATED MAGNETICS		
		 www.ERNI.com	203156	
b	19FEB04		Group/Type	MAXM
Index	Date			

Consider protection memos from DIN 34

Mouser Electronics

Authorized Distributor

Click to View Pricing, Inventory, Delivery & Lifecycle Information:

[ERNI Electronics:](#)

[203156](#)