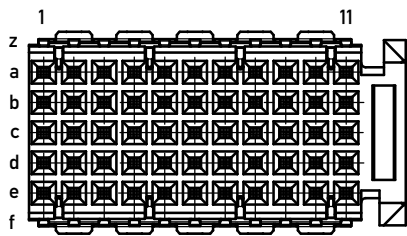
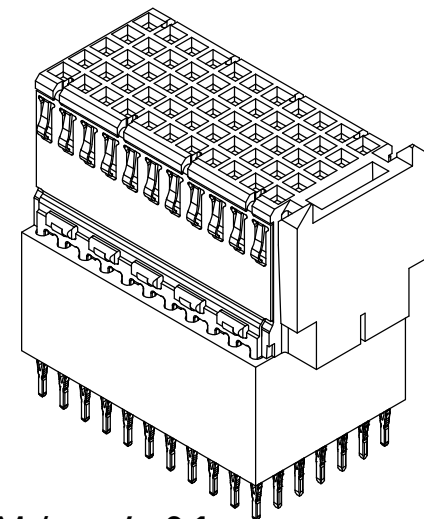


Bestückungsplan / contact layout

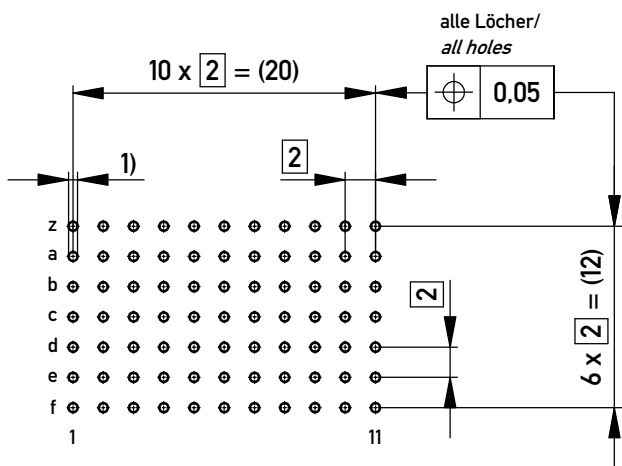


■ = bestückt / assemble



M / scale 2:1

Lochbild für Leiterplatte board hole pattern (Bestückungsseite) (component mounting side)



- 1) $\varnothing 0,6 \pm 0,05$ Durchmesser des metallisierten Loches
 $\varnothing 0,6 \pm 0,05$ Diameter of finished plated-through hole

Schichtaufbau im metallisierten Loch siehe Zeichnung 164062 Nr.1
 Metal plating of plated-through hole according to 164062 No.1

Fehlende Maße und Angaben nach IEC 61076-4-101
 Missing information and dimensions per IEC 61076-4-101

Information: Distanzstück H=9,6 / distance H=9,6 Abschirmbleche montiert / shieldings mounted Anforderungsstufe 2 / class 2		Tolerances	All Dimensions in mm	Scale	2:1
		All rights reserved. Only for Information. To ensure that this is the latest version of this drawing, please contact one of the ERNI companies before using.		Designation ERmet-FS Federleiste C <i>ERmet-Female Straight Type C</i>	
Copyright by ERNI Production GmbH & Co. KG Proprietary notice pursuant to ISO 16016 to be observed.		Subject to modification without prior notice. Drawing will not be updated.		114030	
e	23.01.2018	www.ERNI.com		1 A3	
Index	Date	Class ERMC			

Mouser Electronics

Authorized Distributor

Click to View Pricing, Inventory, Delivery & Lifecycle Information:

[ERNI Electronics:](#)

[114030](#)