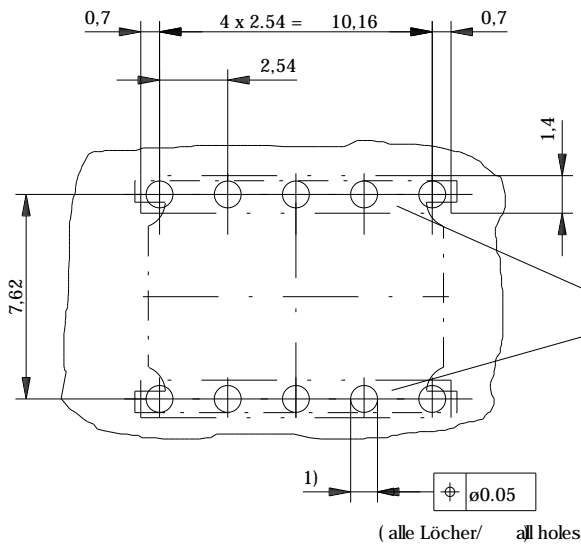


**Leiterplattenbohrbild
PCB drillhole pattern**



Schichtaufbau im metallisierten Loch siehe Zeichnung 114124

diameter of drilled hole see drawing 114124

- 1) $\varnothing 1,0^{+0,09}_{-0,06}$ Durchmesser des metallisierten Loches
- $\varnothing 1,0^{+0,09}_{-0,06}$ Diameter of finished plated-through hole
- $\varnothing 1,15 \pm 0,025$ Bohrungsdurchmesser des Loches
- $\varnothing 1,15 \pm 0,025$ Diameter of drilled hole

Dieser Bereich muß gleiches Potential auf LP-Oberfläche haben

This area must have same electrical potential on surface of PCB

| | |
|-----------------------|-------------------|
| 214782 | M4 |
| 214781 | M3 |
| 214780 | 6-32UNC |
| 214779 | 8-32UNC |
| Ident-Nr. Part No. | Gewinde thread |

| | | | | | |
|--|------------|--|--|---------------------------------------|-----|
| Information: | | Tolerances | | Scale | 5:1 |
| All rights reserved. Only for information. To insure that this is the latest version of this drawing, please contact one of the ERNI companies before using. | | Subject to modification without prior notice. Drawing will not be updated. | | Designation | |
| | | | | SVA 10-polig EE Power Bug 10pin EE | |
| | | www.ERNI.com | | 204818 | |
| b | 11.05.2006 | | | I | |
| Index | Date | H:00057487.SZA | | EPSVA | |

Mouser Electronics

Authorized Distributor

Click to View Pricing, Inventory, Delivery & Lifecycle Information:

[ERNI Electronics:](#)

[214781](#)