

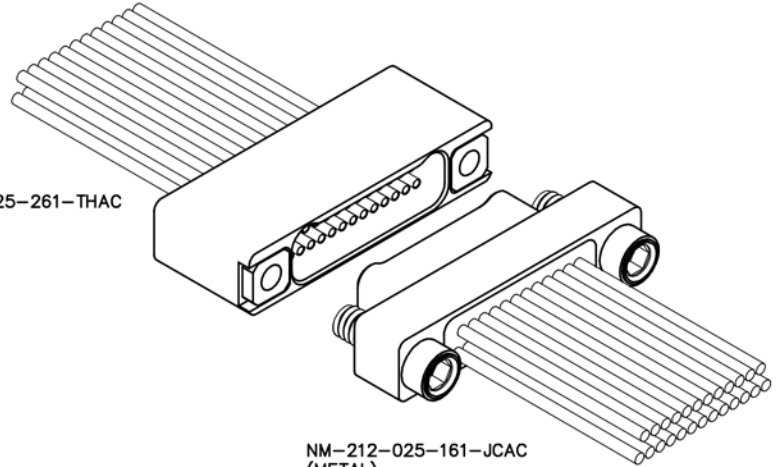
2 · ROW Cable to Cable

.025"

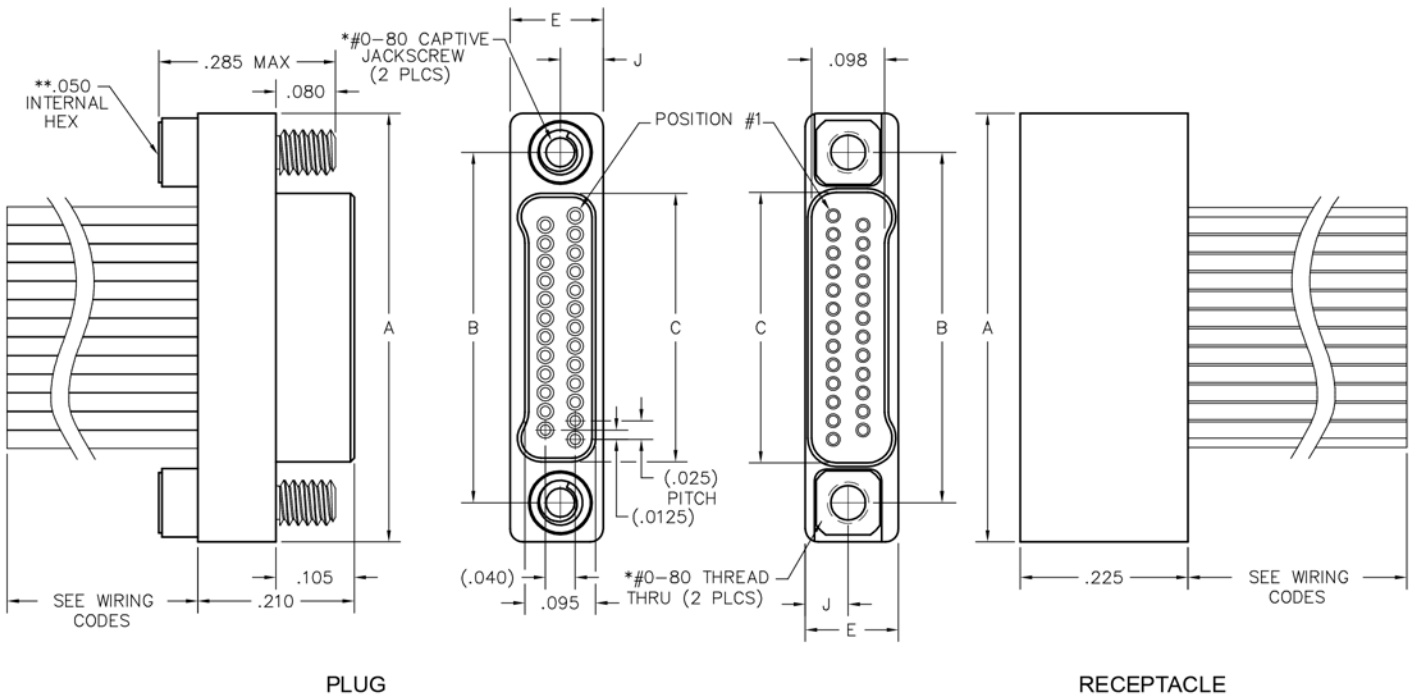
NM, NM

9 thru 91 Contacts

NM-222-025-261-THAC
(METAL)

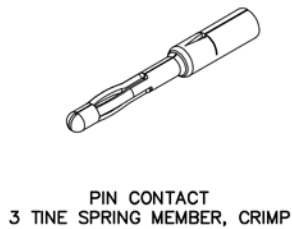


NM-212-025-161-JCAC
(METAL)



PLUG

RECEPTACLE



SIZE	A	B	C		E	J	*HARDWARE
			PLUG	RCPT			
9	.375	.270	.160	.163	.125	.0575	#0-80 THREAD
15	.450	.345	.235	.238			
21	.525	.420	.310	.313			
25	.575	.470	.360	.363			
31	.650	.545	.435	.438			
37	.725	.620	.510	.513			
51	.900	.795	.685	.688			
65	1.075	.970	.860	.863	.150	.0700	#2-56 THREAD
69	1.125	1.020	.910	.913			
85	1.377	1.246	1.110	1.113			
91	1.452	1.321	1.185	1.195			



* = #2-56 UNC THREAD ON 85 AND 91 POSITION CONNECTORS.
 ** = 1/16" HEX ON 85 POSITION CONNECTORS. HEX MEASUREMENTS TAKEN ACROSS THE FLATS.

Mouser Electronics

Authorized Distributor

Click to View Pricing, Inventory, Delivery & Lifecycle Information:

[AirBorn:](#)

[NM-252-015-161-JCBE](#) [NM-252-009-161-JCAD](#) [NM-252-051-161-JCBC](#) [NM-222-031-261-JCAA](#)