



# Board (Standard Footprint) to Cable

.050"

9 thru 100 Contacts

Rugged Board Mount

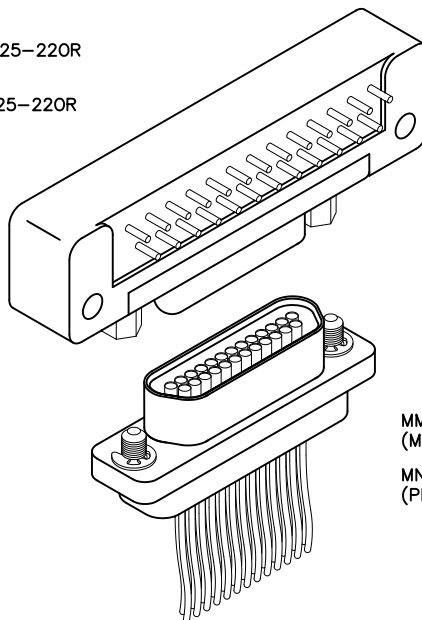
**MK, ML**

Rugged Cable

**MM, MN**

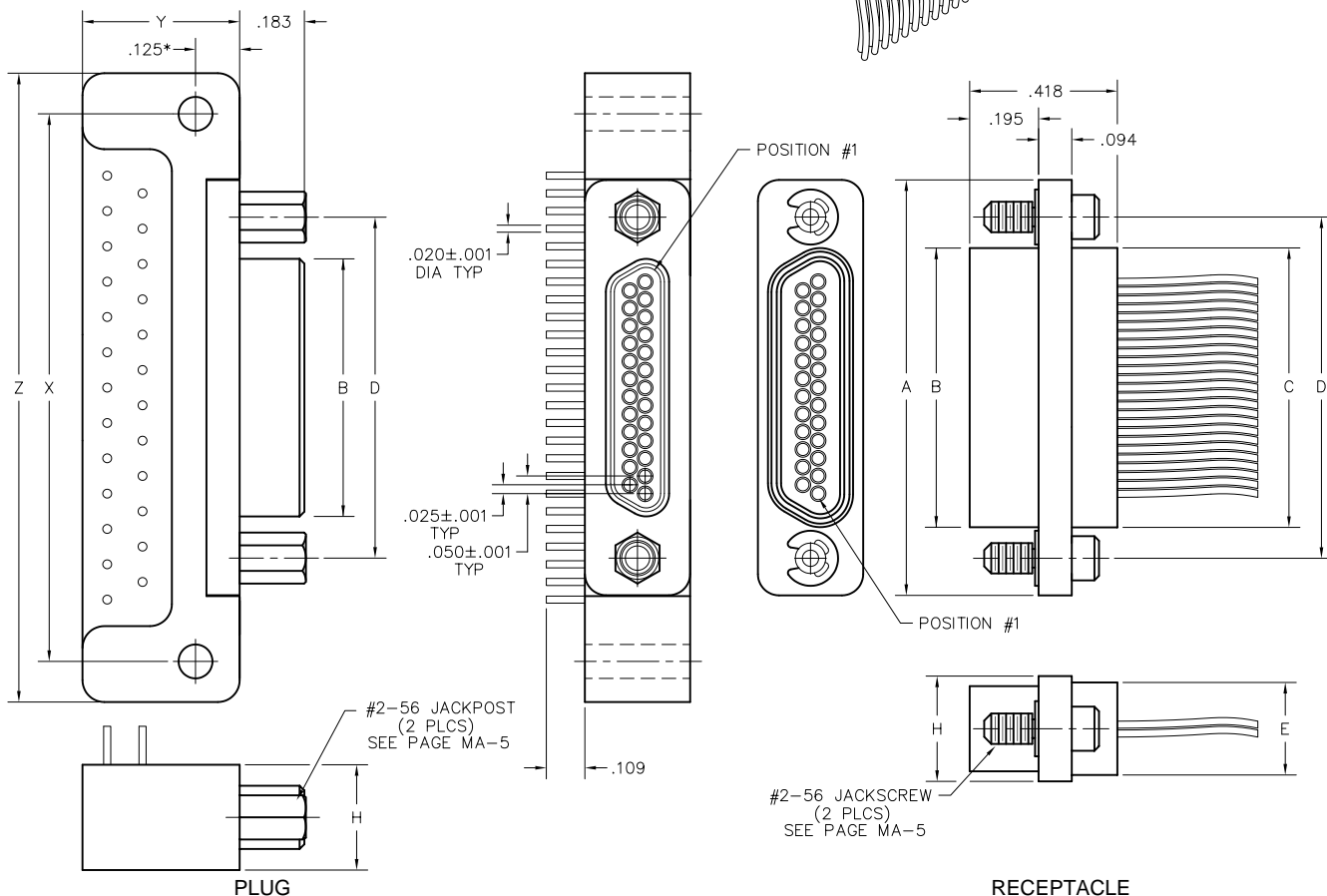
MK-273-025-325-220R  
(METAL)

ML-271-025-325-220R  
(PLASTIC)



MM-223-025-261-41WQ  
(METAL)

MN-221-025-261-41WQ  
(PLASTIC)



DIMENSIONS													
SIZE	CONTACT ROWS	A	B		C	D	E	H	X	Y MAX	Z MAX	HARDWARE	MOUNTING HOLE
			PLUG MAX	RCPT MAX									
9	2	.775	.334	.400	.390	.565	.270	.298	1.150	.455	1.390	#2-56 UNC THD	.096 DIA OR #2-56 UNC THREADED INSERT
15		.925	.484	.550	.540	.715			1.300		1.540		
21		1.075	.634	.700	.690	.865			1.450		1.690		
25		1.175	.734	.800	.790	.965			1.550		1.790		
31		1.325	.884	.950	.940	1.115			1.800		2.040		
37		1.475	1.034	1.100	1.090	1.265			2.100		2.340		
51	3	1.425	.984	1.050	1.040	1.215	.310	.341	1.600	.565	1.875	#4-40 UNC THD	.125 DIA OR #4-40 UNC THREADED INSERT
100	4	2.160	1.384	1.508	1.432	1.800	.360	.384	2.500	.665**	2.780		

\* = .225 FOR ".05K" AND "0BJ" SPECIAL CODES (MIL-SPEC FOOTPRINT FOR 100 POSITION ONLY)  
 \*\* = .765 MAX FOR ".05K" AND "0BJ" SPECIAL CODES (MIL-SPEC FOOTPRINT FOR 100 POSITION ONLY)

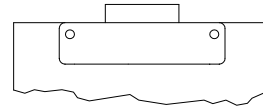


# Recommended PC Board Layout

Right Angle, Standard Footprint  
Reverse Polarization

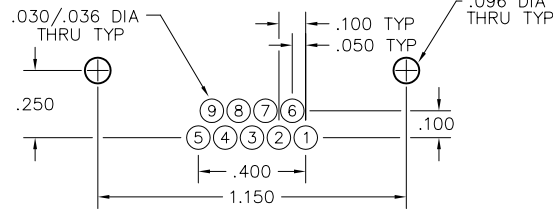


CONNECTOR MATING FACE



PC BOARD LAYOUT  
COMPONENT SIDE

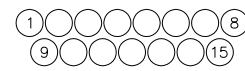
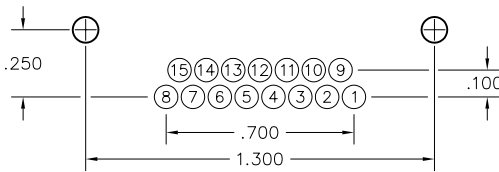
## PLUG PC BOARD LAYOUT COMPONENT SIDE



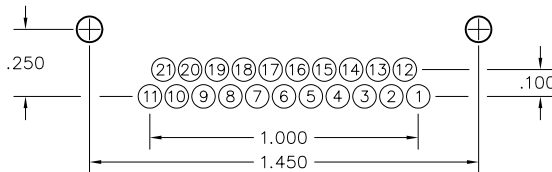
## CONNECTOR MATING FACE (PLUG)



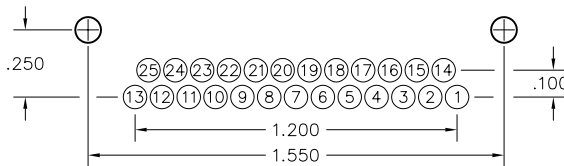
9 POSITION



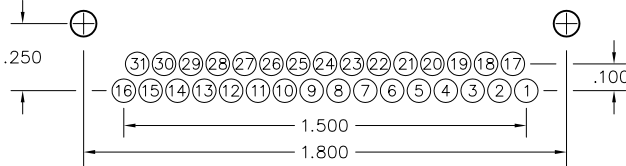
15 POSITION



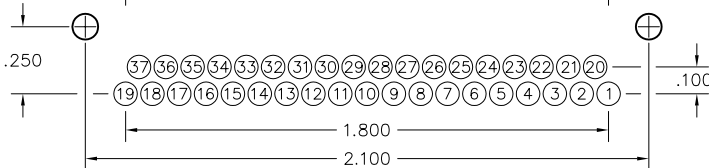
21 POSITION



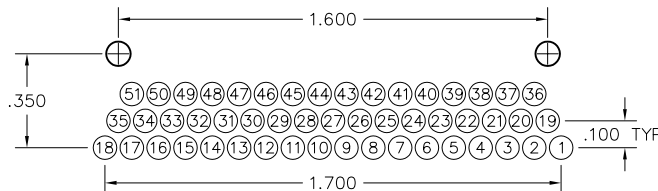
25 POSITION



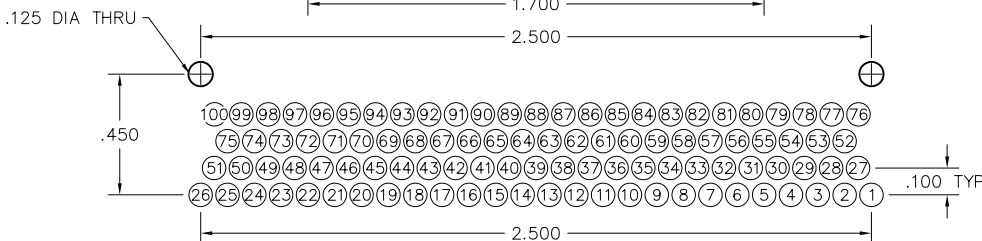
31 POSITION



37 POSITION



51 POSITION



100 POSITION

**PLUG:** MK-273-025-325-220R

**RECEPTACLE:** MM-223-025-261-41WQ

**PLUG:** ML-271-025-325-220R

**RECEPTACLE:** MN-221-025-261-41WQ

XX-XXX-XXX-XXX-XXXX-XXX

**PLUG**

**RECEPTACLE**

**SERIES**

MK .050" Rugged Metal PC Board Mount Connector	MM .050" Rugged Metal I/O Connector
ML .050" Rugged Plastic PC Board Mount Connector (MK & ML mate with MK, ML, MM, MN receptacles)	MN .050" Rugged Plastic I/O Connector (MM & MN mate with MK, ML, MM, MN plugs)

**BODY**

2 2-Row (Sizes 9 thru 37)	2 2-Row (Sizes 9 thru 37)
3 3-Row (Size 51)	3 3-Row (Size 51)
4 4-Row (Size 100)	4 4-Row (Size 100)

<b>BODY STYLE:</b> 7 Plug, right angle, standard footprint, w/ mtg holes	<b>BODY STYLE:</b> 2 Receptacle, straight, with ears
---	---

<b>BODY MATERIAL:</b> 1 Polyphenylene Sulfide (ML only)	<b>BODY MATERIAL:</b> 1 Polyphenylene Sulfide (MN only)
2 Polyphenylene Sulfide with electroless nickel shell	2 Polyphenylene Sulfide with electroless nickel shell
3 Polyphenylene Sulfide with electrodeposited cadmium shell <input checked="" type="checkbox"/>	3 Polyphenylene Sulfide with electrodeposited cadmium shell <input checked="" type="checkbox"/>
4 Polyphenylene Sulfide with hard anodized black shell	4 Polyphenylene Sulfide with hard anodized black shell
5 Polyphenylene Sulfide with stainless steel shell	5 Polyphenylene Sulfide with stainless steel shell

**SIZE**

XXX 009, 015, 021, 025, 031, 037, 051, 100	XXX 009, 015, 021, 025, 031, 037, 051, 100
--	--

**CONTACTS**

<b>TYPE CONTACTS/TERMINATIONS:</b> 32 Pin, right angle, PCB leads, .109" 33 Pin, right angle, PCB leads, .140" 34 Pin, right angle, PCB leads, .172"	<b>TYPE CONTACTS/TERMINATIONS:</b> 21 Socket, straight, solder cup 24 Socket, straight, .500" pigtails (.018 dia) 25 Socket, straight, 1.000" pigtails (.018 dia) 26 Socket, straight, crimped wire
---	---

<b>PLATING OPTIONS:</b> 3 50 μ" Au contacts; 10 μ" Au terminations 5 50 μ" Au contacts; Sn/Pb alloy terminations <input checked="" type="checkbox"/> 7 50 μ" Au contacts; SAC305 terminations	<b>PLATING OPTIONS:</b> 1 50 μ" Au contacts (crimp wire) 3 50 μ" Au contacts; 10 μ" Au terminations (solder cup, pigtail) 5 50 μ" Au contacts; Sn/Pb alloy terminations (pigtail) <input checked="" type="checkbox"/> 7 50 μ" Au contacts; SAC305 terminations (pigtail)
--	--

**HARDWARE**

<b>STYLE OF HARDWARE:</b> 00 None 22 Two fixed jacknut assemblies (62*) 99 Keying hardware, see options below (Body material 2, 3 and 4 only)	<b>STYLE OF HARDWARE:</b> 00 None 22 Two fixed jacknut assemblies (62*) 41 Two turning jackscrews, allen head, retaining ring (81*) 42 Two long turning jackscrews, allen head, retaining ring (82*) 43 Two turning jackscrews, slot head, retaining ring (83*) 44 Two long turning jackscrews, slot head, retaining ring (84*) 45 Two turning jackscrews, allen head, captivated** (85*) 99 Keying hardware, see options below (Body material 2, 3 and 4 only)
--	---

<b>POLARIZATION / WIRING:</b> 0R Reversed body polarization	<b>POLARIZATION / WIRING</b> 00 None XX For wiring codes, see page MA-3 & MA-4
--	--

**OPTIONS**

KPXX Two fixed jacknuts. See page MA-6 for keying options (KN*)	KSXX Two turning jackscrews and interfacial sealing gasket. See page MA-6 for keying options (KJ*)
05K Mil-Spec footprint (size 100 only)	900 Interfacial sealing gasket
0B7 Threaded inserts	
0BJ Mil-Spec footprint (size 100 only) with threaded inserts	

\* = Use numbers or letters in parenthesis when ordering size 100.

\*\* = Captive hardware is factory installed and non-removable.

= Option not RoHS compliant

# Mouser Electronics

Authorized Distributor

Click to View Pricing, Inventory, Delivery & Lifecycle Information:

[AirBorn:](#)

[MK-373-051-345-220R](#)