

# Signal Chain Power LT3045-1 LDO Linear Regulator

## DESCRIPTION

Demonstration circuit SCP-LT3045-1-EVALZ is a 20V, 500mA Low Dropout (LDO) regulator designed best in class low noise operation in noise sensitive circuits. It is easily configured for a wide output range and can provide extremely quiet operation with its high PSRR.

Like all boards in the Signal Chain Power series, this board is designed to be easily plugged into other SCP boards to form a complete signal chain power system, enabling fast evaluation of low power signal chains. To evaluate this board, some universal SCP hardware is required, namely:

- SCP-INPUT-EVALZ
- SCP-OUTPUT-EVALZ
- SCP-1X5BKOUT-EVALZ
- SCP-THRUBRD-EVALZ
- SCP-FILTER-EVALZ
- SCP-1X2BKOUT-EVALZ
- SCP-5X1-EVALZ

To properly evaluate SCP series demo boards, you will need the SCP Configurator companion software. SCP Configurator can help you choose the right board and topology for your design.

Note that this Demo Manual does not cover details important to the operation and configuration regarding the [LT3045-1](#). Please refer to the [LT3045-1 datasheet](#) for a complete description of the part.

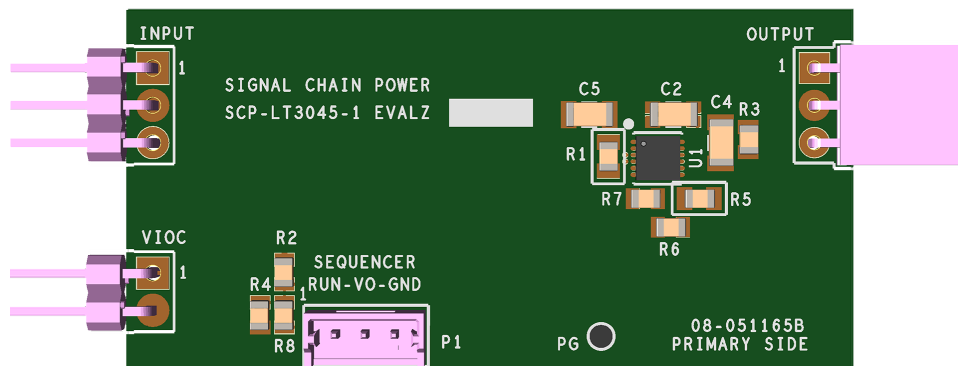
**Design files for this circuit board are available.**

All registered trademarks and trademarks are property of their respective owners.

**Table 1. Performance Summary**

SYMBOL	PARAMETER	NOTES	MIN	TYP	MAX	UNITS
V <sub>IN(MAX)</sub>	Max Input Voltage				20	V
V <sub>OUT(MAX)</sub>	Max Output Voltage				19.5	V
I <sub>OUT(MAX)</sub>	Max Output Current				500	mA

## BOARD IMAGE



**Figure 1. SCP-LT3045-1-EVALZ Board**

# DEMO MANUAL SCP-LT3045-1-EVALZ

## QUICK START PROCEDURE

Demonstration circuit SCP-LT3045-1-EVALZ is easy to set up to evaluate the performance of any SCP hardware configuration.

1. The SCP-LT3045-1-EVALZ ships with a default output voltage of 3.3V. To change the output voltage, see “Configuration Settings” section, and modify the board accordingly. Be sure to check for open connections or solder shorts after making any modifications.
2. Connect the SCP-INPUT-EVALZ and SCP-OUTPUT-EVALZ boards to the SCP-LT3045-1-EVALZ (refer to Figure 2) and connect the input board to a voltage source,  $V_{SOURCE}$ . Connect the output board to a voltmeter or dynamic load. Slowly raise the input voltage until the SCP-LT3045-1-EVALZ powers up into regulation and sweep  $V_{SOURCE}$  through the desired range of operation.

NOTE: Make sure that the input voltage is always within spec. If using a dynamic load to measure output voltage, make sure the load is initially set to zero.

3. Check for proper output voltage. The output should be regulated at the programmed value ( $\pm 5\%$ ).
4. Once the proper output voltage is established, power off  $V_{SOURCE}$  and similarly test other boards in the SCP system until all elements have been individually verified prior to assembling into the final circuit configuration.

NOTE: When measuring the input or output voltage ripple, use the optional SMA connector locations available on the input, output, 1 × 5, 1 × 2, and 5 × 1 breakout boards. Avoid using the test point connections with long scope leads.

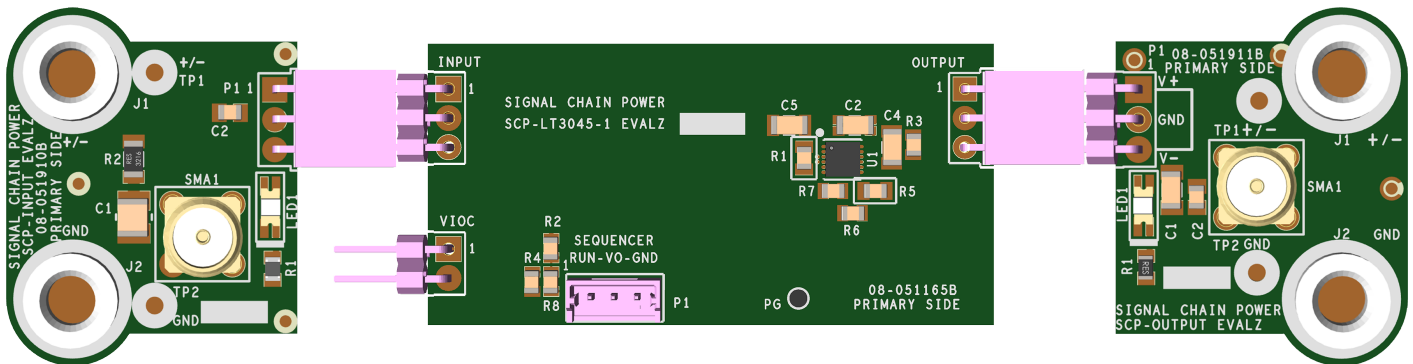


Figure 2. Proper Measurement Equipment Setup (Use SMA connectors for Measuring Input or Output Ripple)

## CONFIGURATION SETTINGS

Demonstration circuit SCP-LT3045-1-EVALZ is a 20V, 500mA Low Dropout (LDO) regulator designed best in class low noise operation in noise sensitive circuits. It is easily configured for a wide output range and can provide extremely quiet operation with its high PSRR.

The output of the SCP-LT3045-1-EVALZ is resistor-programmable from 0.8V to 19.5V.

### OUTPUT VOLTAGE PROGRAMMING

$$V_{OUT} = 100\mu A \cdot R3$$

Table 2. Resistor Selection Guide for Common Output Voltages

V <sub>OUT</sub> (V)	R3 (Ω)	V <sub>OUT</sub> (V)	R3 (Ω)
0.8	8.06k	9.5	95.3k
0.9	9.09k	10.0	100k
1.0	10.0k	10.5	105k
1.2	12.1k	11.0	110k
1.5	15.0k	11.5	115k
1.8	18.2k	12.0	121k
2.0	20.0k	12.5	124k
2.5	24.9k	13.0	130k
3.0	30.1k	13.5	133k
3.5	34.8k	14.0	140k
4.0	40.2k	14.5	143k
4.5	45.3k	15.0	150k
5.0	49.9k	15.5	154k
5.5	54.9k	16.0	158k
6.0	60.4k	16.5	165k
6.5	64.9k	17.0	169k
7.0	69.8k	17.5	174k
7.5	75.0k	18.0	182k
8.0	80.6k	18.5	187k
8.5	84.5k	19.0	19.1k
9.0	90.9k	19.5	196k

### EN/UV PIN CONFIGURATION

The EN/UV pin is tied to the optional SCP Run/Sequence header P1. To create a harness for this function, use Molex part 0510650300 with crimp pin 50212-8000.

To use an active run signal, use a 100kΩ resistor for either pull-up or pull-down resistors R2 and R4, short R8 with 0Ω, and use the drive signal from connector P1.

If precision undervoltage lockout (UVLO) operation is desired, program enable divider R2 and R4 such that:

$$R4 = 10k - 100k, \text{ nominal}$$

$$R2 = R4 \left( \frac{V_{IN} - 1.24V_{TH}}{1.24V_{TH}} \right)$$

The hysteresis threshold on the falling edge is 130mV typical, and scales by the factor:

$$V_{HYST} = 130mV \frac{R4 + R2}{R2}$$

### I<sub>LIM</sub> PIN CONFIGURATION

Resistor R7 programs a current limit according to the scale factor:

$$I_{LIM}(mA) = \frac{150 \cdot k\Omega}{R7(k\Omega)}$$

Table 3. I<sub>LIM</sub> Pin Configuration

I <sub>LIMIT</sub> (mA)	R7 (Ω)	I <sub>LIMIT</sub> (mA)	R7 (Ω)
10	15.0k	90	1.65k
20	7.50k	100	1.50k
25	6.04k	150	1.00k
30	4.99k	200	750
40	3.74k	250	604
50	3.01k	300	499
60	2.49k	350	432
70	2.15k	400	374
75	2.00k	450	453
80	1.87k	500	300

### PGFB PIN CONFIGURATION

To achieve a very low 1/f corner, C4 may need to be sized as high as 22μF, which dramatically increases the startup time. To counter this, the set pin current is increased from 100μA to 2mA whenever PGFB voltage is less than 300mV.

If fast startup is not desired, set R5 to 0Ω.

If fast startup is desired, program enable divider R5 and R6 such that PGFB is guaranteed to be above 300mV when the set pin is at its desired voltage. A good rule of thumb is to choose a transition voltage from 2mA to 100μA of set pin current roughly 10% lower than the

# DEMO MANUAL SCP-LT3045-1-EVALZ

desired output voltage to account for resistor and reference tolerance variation.

Use the following table to program the PGFB if fast startup is desired, setting R6 to 10k $\Omega$  for the closest 1% resistor value.

**Table 4. PGFB Configuration**

V <sub>OUT</sub> (V)	R5 ( $\Omega$ )	V <sub>OUT</sub> (V)	R5 ( $\Omega$ )
0.8	14.0k	9.5	274k
0.9	16.9k	10.0	287k
1.0	20.0k	10.5	301k
1.2	26.1k	11.0	316k
1.5	34.8k	11.5	332k
1.8	44.2k	12.0	348k
2.0	53.6k	12.5	365k
2.5	64.9k	13.0	383k
3.0	80.6k	13.5	392k
3.5	107k	14.0	412k
4.0	110k	14.5	422k
4.5	124k	15.0	442k
5.0	140k	15.5	453k
5.5	154k	16.0	475k
6.0	169k	16.5	487k
6.5	187k	17.0	499k
7.0	200k	17.5	511k
7.5	215k	18.0	536k
8.0	232k	18.5	549k
8.5	243k	19.0	562k
9.0	261k	19.5	576k

## VOLTAGE INPUT-TO-OUTPUT CONTROL (VIOC) CONFIGURATION

VIOC functionality allows the LT3045-1 to directly modulate a preceding switching regulator feedback to maintain a constant overhead voltage. For the LT3045-1, a 1.0V drop provides a good balance between power loss and PSRR figure of merit.

The VIOC pin is tied directly to pin 1 of the VIOC header, and when using a compatible switching regulator, the VIOC line must be connected by populating the series resistor to drive the top of the feedback network. Refer to the corresponding appendix page for details on calculation.

**IMPORTANT:** The LTC3045-1 cannot be used to drive buck regulators if configured as inverting buck. Plugging the SCP-LT3045-1-EVALZ into an inverting buck board will short the regulator.

# DEMO MANUAL SCP-LT3045-1-EVALZ

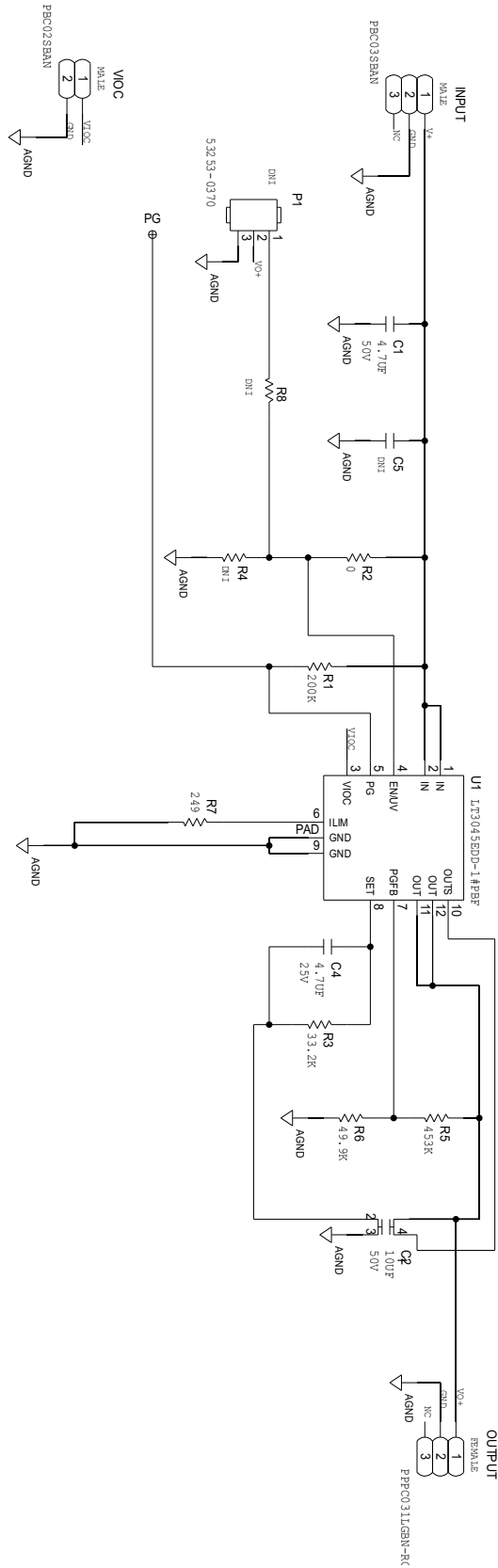
## PARTS LIST

ITEM	QTY	REFERENCE	PART DESCRIPTION	MANUFACTURER/PART NUMBER
1	1	PCB	PCB	ANALOG DEVICES 08_051165b
2	1	C1	CAP 4.7uF 50V CER X7R 1206	SAMSUNG CL31B475KBHNNNE
3	1	C2	CAP 10uF 50V CER X5R 1206	SAMSUNG CL31A106MBHNNNE
4	1	C4	CAP 4.7uF 25V CER X7R	KEMET C1206C475K3RACTU
5	1	C5	CAP MLCC 1206 (Note 1)	N/A
6	1	INPUT	CONN MALE 3POS 2.54MM PITCH R/A	SULLINS PBC03SBAN
7	1	OUTPUT	CONN FEMALE 3POS 2.54MM PITCH R/A	SULLINS PPPC031LGBN-RC
8	1	P1	CONN-PCB 3POS HEADER WIRE TO BRD WAFER ASSY STRAIGHT 2MM PITCH (Note 1)	MOLEX 53253-0370
9	1	R1	RES 200k 1% THICK FILM 0805	VISHAY CRCW0805200KJNEA
10	1	R2	RES 0-OHM 1% THICK FILM 0805	VISHAY CRCW08050000Z0EA
11	1	R3	RES 33.2k 1% THICK FILM 0805	PANASONIC ERJ-6ENF3322V
12	2	R4, R8	RES THICK FILM 0805 (Note 1)	N/A
13	1	R5	RES 453k 1% THICK FILM 0805	VISHAY CRCW0805453KFKEA
14	1	R6	RES 49.9k 1% THICK FILM 0805	PANASONIC ERJ-6ENF4992V
15	1	R7	RES 249 1% THICK FILM 0805	PANASONIC ERJ-6ENF2490V
16	1	U1	IC-LIN ULTRAHIGH PSRR LINEAR REGULATOR WITH VOIC CTRL	ANALOG DEVICES LT3045EDD-1#PBF
17	1	VIOC	CONN MALE 2POS 2.54MM PITCH R/A GOLD	SULLINS PBC02SBAN

**Note 1.** These items are not stuffed (DNI).

# DEMO MANUAL SCP-LT3045-1-EVALZ

## SCHEMATIC DIAGRAM



LT3045-1



# DEMO MANUAL SCP-LT3045-1-EVALZ

---



## ESD Caution

**ESD (electrostatic discharge) sensitive device.** Charged devices and circuit boards can discharge without detection. Although this product features patented or proprietary protection circuitry, damage may occur on devices subjected to high energy ESD. Therefore, proper ESD precautions should be taken to avoid performance degradation or loss of functionality.

## Legal Terms and Conditions

By using the evaluation board discussed herein (together with any tools, components documentation or support materials, the "Evaluation Board"), you are agreeing to be bound by the terms and conditions set forth below ("Agreement") unless you have purchased the Evaluation Board, in which case the Analog Devices Standard Terms and Conditions of Sale shall govern. Do not use the Evaluation Board until you have read and agreed to the Agreement. Your use of the Evaluation Board shall signify your acceptance of the Agreement. This Agreement is made by and between you ("Customer") and Analog Devices, Inc. ("ADI"), with its principal place of business at One Technology Way, Norwood, MA 02062, USA. Subject to the terms and conditions of the Agreement, ADI hereby grants to Customer a free, limited, personal, temporary, non-exclusive, non-sublicensable, non-transferable license to use the Evaluation Board FOR EVALUATION PURPOSES ONLY. Customer understands and agrees that the Evaluation Board is provided for the sole and exclusive purpose referenced above, and agrees not to use the Evaluation Board for any other purpose. Furthermore, the license granted is expressly made subject to the following additional limitations: Customer shall not (i) rent, lease, display, sell, transfer, assign, sublicense, or distribute the Evaluation Board; and (ii) permit any Third Party to access the Evaluation Board. As used herein, the term "Third Party" includes any entity other than ADI, Customer, their employees, affiliates and in-house consultants. The Evaluation Board is NOT sold to Customer; all rights not expressly granted herein, including ownership of the Evaluation Board, are reserved by ADI. CONFIDENTIALITY. This Agreement and the Evaluation Board shall all be considered the confidential and proprietary information of ADI. Customer may not disclose or transfer any portion of the Evaluation Board to any other party for any reason. Upon discontinuation of use of the Evaluation Board or termination of this Agreement, Customer agrees to promptly return the Evaluation Board to ADI. ADDITIONAL RESTRICTIONS. Customer may not disassemble, decompile or reverse engineer chips on the Evaluation Board. Customer shall inform ADI of any occurred damages or any modifications or alterations it makes to the Evaluation Board, including but not limited to soldering or any other activity that affects the material content of the Evaluation Board. Modifications to the Evaluation Board must comply with applicable law, including but not limited to the RoHS Directive. TERMINATION. ADI may terminate this Agreement at any time upon giving written notice to Customer. Customer agrees to return to ADI the Evaluation Board at that time. LIMITATION OF LIABILITY. THE EVALUATION BOARD PROVIDED HEREUNDER IS PROVIDED "AS IS" AND ADI MAKES NO WARRANTIES OR REPRESENTATIONS OF ANY KIND WITH RESPECT TO IT. ADI SPECIFICALLY DISCLAIMS ANY REPRESENTATIONS, ENDORSEMENTS, GUARANTEES, OR WARRANTIES, EXPRESS OR IMPLIED, RELATED TO THE EVALUATION BOARD INCLUDING, BUT NOT LIMITED TO, THE IMPLIED WARRANTY OF MERCHANTABILITY, TITLE, FITNESS FOR A PARTICULAR PURPOSE OR NON-INFRINGEMENT OF INTELLECTUAL PROPERTY RIGHTS. IN NO EVENT WILL ADI AND ITS LICENSORS BE LIABLE FOR ANY INCIDENTAL, SPECIAL, INDIRECT OR CONSEQUENTIAL DAMAGES RESULTING FROM CUSTOMER'S POSSESSION OR USE OF THE EVALUATION BOARD, INCLUDING BUT NOT LIMITED TO LOST PROFITS, DELAY COSTS, LABOR COSTS OR LOSS OF GOODWILL. ADI'S TOTAL LIABILITY FROM ANY AND ALL CAUSES SHALL BE LIMITED TO THE AMOUNT OF ONE HUNDRED US DOLLARS (\$100.00). EXPORT. Customer agrees that it will not directly or indirectly export the Evaluation Board to another country, and that it will comply with all applicable United States federal laws and regulations relating to exports. GOVERNING LAW. This Agreement shall be governed by and construed in accordance with the substantive laws of the Commonwealth of Massachusetts (excluding conflict of law rules). Any legal action regarding this Agreement will be heard in the state or federal courts having jurisdiction in Suffolk County, Massachusetts, and Customer hereby submits to the personal jurisdiction and venue of such courts. The United Nations Convention on Contracts for the International Sale of Goods shall not apply to this Agreement and is expressly disclaimed.



# Mouser Electronics

Authorized Distributor

Click to View Pricing, Inventory, Delivery & Lifecycle Information:

[Analog Devices Inc.:](#)

[SCP-LT3045-1-EVALZ](#)