

LTC2408 4-/8-Channel 24-Bit μ Power No Latency $\Delta\Sigma$ ADC

DESCRIPTION

The LTC[®]2408, an 8-channel 24-bit no latency $\Delta\Sigma$ ADC is featured on the DC273A demonstration board. The LTC2408 features a 4ppm linearity, 4ppm full-scale accuracy, 1ppm offset accuracy, and 0.3ppm RMS noise.

The LTC2408 performs interleaved auto-zero and calibration cycles which are transparent to the user.

The device does not require initialization or configuration, other than selecting the multiplexer channel.

The board includes a precision 2.5V reference (LT1019-2.5), as well as bypassing capacitors, and jumpers to select line frequency rejection and on board /external reference.

The demonstration board is designed to be incorporated into a target system, as well as give an example of good placement of bypass and partitioning of an analog and digital ground.

Design files for this circuit board are available at <http://www.linear.com/demo>

LT, LT, LTC, LTM, Linear Technology and the Linear logo are registered trademarks of Linear Technology Corporation. All other trademarks are the property of their respective owners.

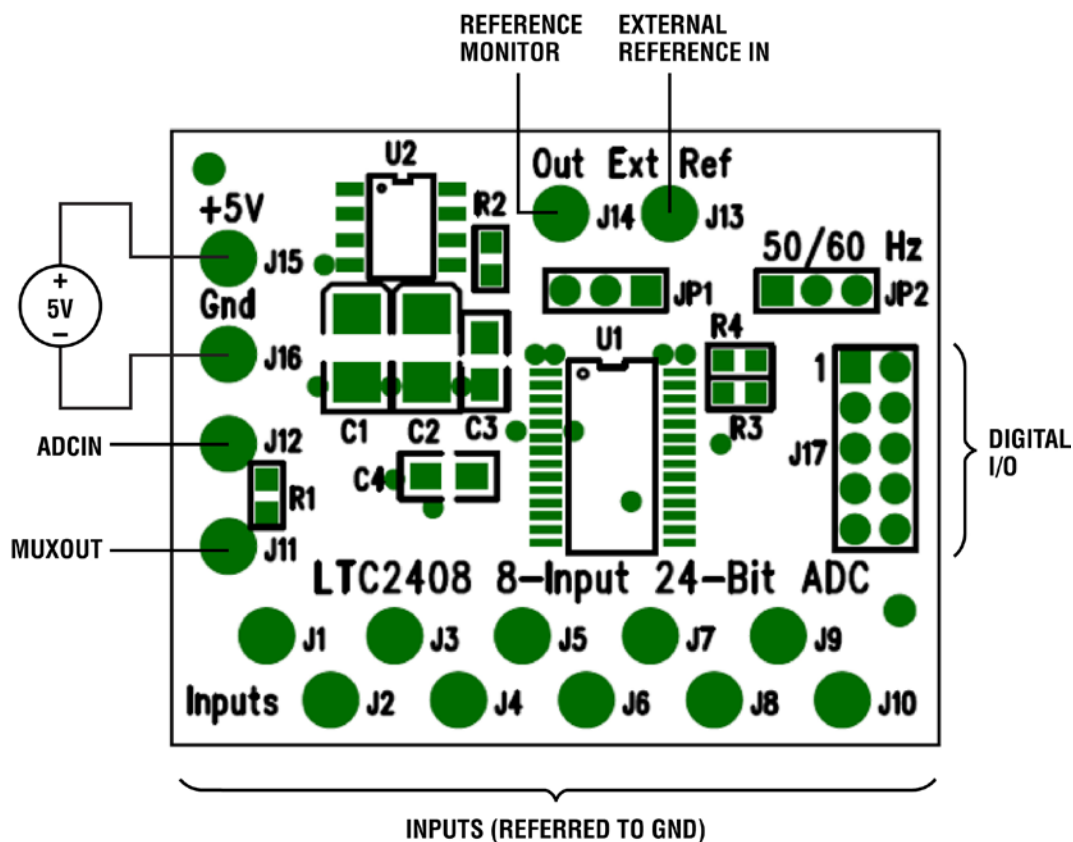


Figure 1. DC273A Set-Up

DEMO MANUAL DC273A

QUICK START PROCEDURE

All of the digital control lines are on a 0.070" header (J17). On the DC273A demonstration board CSMUX and \overline{CSADC} are tied together, as are SLK and CLK. This allows the ADC to be addressed through a minimum of control lines. When the CSMUX and \overline{CSADC} are logic High, address data can be clocked into the MUX. When CSMUX and \overline{CSADC} are logic low, conversion data can be clocked out of the ADC. Refer to the LTC2408 data sheet for a complete description of the various serial interface modes.

The DC273A incorporates 2 jumpers: JP1, which allows the on-board or an external reference, to be selected; and JP2, which allows selection of 50Hz/60Hz line frequency rejection.

All the analog inputs are provided with turrets along one edge of the board, positioned to be compatible with clip leads. Two ground connections (J9 and J10) are provided for interconnection into an analog subsystem or to be used as separate returns for two signal groups.

Power and ground are provided on J15 and J16, and reference in and out are provided on J13 and J14.

Interconnection of analog and digital subsystems can be made through these ground connections, or all should return to a star ground at a point in the target system.

All ground connections should be as short as possible. The multiplexer output is linked to the ADC through a 5k resistor. Both terminals are available, J11 for MUXOUT, and J12 for ADCIN. As the multiplexer output can be disabled, multiplexer expansion can be brought to either of these terminals. Optionally, an amplifier (buffer) can be used to drive ADCIN, without necessarily removing the 5k resistor. If an amplifier with voltage gain is introduced, it is recommended that the resistor be removed. Depending on the source resistance or drive capabilities of nodes driving the multiplexer inputs, J11 can be tied directly to J12. Please see the LTC2400 data sheet for more information on driving the input of the LTC2408.

See the timing diagram for MUX, and Data Output operation.

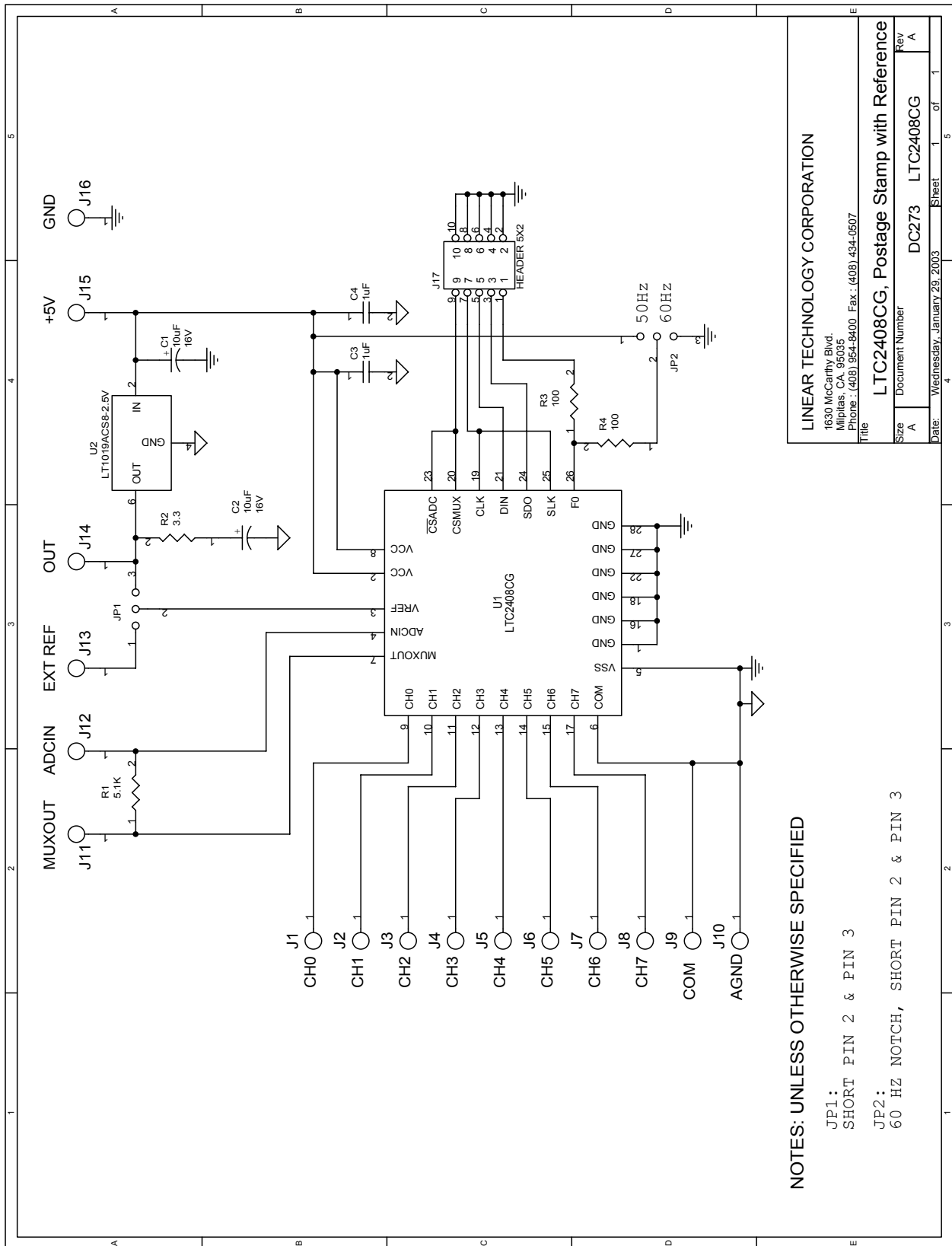
F0 is available on J17 for external conversion clock. See full data sheet for use of this line, otherwise, leave open. Use of external clock requires removal of JP2.

The LTC2408's F0 pin is available on J17 for those applications where an external oscillator controls the conversion time of the ADC. JP2 must be removed in this case. Please consult the LTC2408 data sheet for more information on the use of F0. If an external oscillator is not required, leave pin 1 on J17 open.

PARTS LIST

ITEM	QTY	REFERENCE	PART DESCRIPTION	MANUFACTURER/PART NUMBER
1	2	C1, C2	CAP., TAN 10 μ F 16V	AVX, TAJB106M016, 3528
2	2	C3, C4	CAP., X7R 1 μ F 10V	AVX, 0805ZC105KAT1A, 0805
3	1	R2	RES., CHIP 3.3 5%	TAD CR16-3R3JM, 0603
4	2	R3, R4	RES., CHIP 100 5%	TAD CR16-101JM, 0603
5	1	R1	RES., CHIP 5.1k 5%	TAD CR16-512JM, 0603
6	16	J1-J16	TERMINAL, TURRET .065"	MIL-MAX 2308-02
7	2	JP1-JP2	HEADER, 3 \times 1 .079" CENTER	COMM CON 2802S-3G2
8	1	JP3	HEADER, 5 \times 2 .079" CENTER	COMM CON 2202S-10G2
9	3	JP1-JP3	SHUNT, CCIJ2MM-138-G	COMM CON. CCIJ2MM-138-G
10	1	U2	IC., LT1019ACS8-2.5V	LINEAR LT1019ACS8-2.5V, S08
11	1	U1	IC., LTC2408CG	LINEAR LTC2408CG

SCHEMATIC DIAGRAM



NOTES: UNLESS OTHERWISE SPECIFIED

JP1: SHORT PIN 2 & PIN 3

JP2: 60 HZ NOTCH, SHORT PIN 2 & PIN 3

LINEAR TECHNOLOGY CORPORATION	
1630 McCarthy Blvd. Milpitas, CA 95035 Phone: (408) 954-8400 Fax: (408) 434-0507	
Title	LTC2408CG, Postage Stamp with Reference
Size	Document Number
Rev	A
Date: Wednesday, January 29, 2003	Sheet 1 of 1

DEMO MANUAL DC273A

DEMONSTRATION BOARD IMPORTANT NOTICE

Linear Technology Corporation (LTC) provides the enclosed product(s) under the following **AS IS** conditions:

This demonstration board (DEMO BOARD) kit being sold or provided by Linear Technology is intended for use for **ENGINEERING DEVELOPMENT OR EVALUATION PURPOSES ONLY** and is not provided by LTC for commercial use. As such, the DEMO BOARD herein may not be complete in terms of required design-, marketing-, and/or manufacturing-related protective considerations, including but not limited to product safety measures typically found in finished commercial goods. As a prototype, this product does not fall within the scope of the European Union directive on electromagnetic compatibility and therefore may or may not meet the technical requirements of the directive, or other regulations.

If this evaluation kit does not meet the specifications recited in the DEMO BOARD manual the kit may be returned within 30 days from the date of delivery for a full refund. **THE FOREGOING WARRANTY IS THE EXCLUSIVE WARRANTY MADE BY THE SELLER TO BUYER AND IS IN LIEU OF ALL OTHER WARRANTIES, EXPRESSED, IMPLIED, OR STATUTORY, INCLUDING ANY WARRANTY OF MERCHANTABILITY OR FITNESS FOR ANY PARTICULAR PURPOSE. EXCEPT TO THE EXTENT OF THIS INDEMNITY, NEITHER PARTY SHALL BE LIABLE TO THE OTHER FOR ANY INDIRECT, SPECIAL, INCIDENTAL, OR CONSEQUENTIAL DAMAGES.**

The user assumes all responsibility and liability for proper and safe handling of the goods. Further, the user releases LTC from all claims arising from the handling or use of the goods. Due to the open construction of the product, it is the user's responsibility to take any and all appropriate precautions with regard to electrostatic discharge. Also be aware that the products herein may not be regulatory compliant or agency certified (FCC, UL, CE, etc.).

No License is granted under any patent right or other intellectual property whatsoever. **LTC assumes no liability for applications assistance, customer product design, software performance, or infringement of patents or any other intellectual property rights of any kind.**

LTC currently services a variety of customers for products around the world, and therefore this transaction **is not exclusive**.

Please read the DEMO BOARD manual prior to handling the product. Persons handling this product must have electronics training and observe good laboratory practice standards. **Common sense is encouraged.**

This notice contains important safety information about temperatures and voltages. For further safety concerns, please contact a LTC application engineer.

Mailing Address:

Linear Technology
1630 McCarthy Blvd.
Milpitas, CA 95035

Copyright © 2004, Linear Technology Corporation

Mouser Electronics

Authorized Distributor

Click to View Pricing, Inventory, Delivery & Lifecycle Information:

[Analog Devices Inc.:](#)

[DC273A](#)