

# 105V, 1A Low EMI Synchronous Step-Down Regulator with Fast Current Programming

## FEATURES

- Wide  $V_{IN}$  Range: 4.4V to 105V (110V Abs Max)
- Ultralow EMI/EMC Emissions: CISPR 25 Compliant
- $2\mu A$   $I_Q$  When Regulating  $48V_{IN}$  to  $3.3V_{OUT}$
- Fast and Accurate Output Current Programming and Monitoring with No External  $R_{SENSE}$
- Brick Wall Current Limit
- Low Minimum On-Time: 35ns
- Wide  $V_{OUT}$  Range: 1V to  $V_{IN}$
- 100% Maximum Duty Cycle Operation
- Programmable Fixed Frequency: 200kHz to 2MHz
- Eight, Pin-Selectable Fixed (1.2V to 15V) or Adjustable Output Voltages
- Selectable Continuous, Pulse-Skipping, or Low Ripple Burst Mode® Operation at Light Loads
- PLL Synchronization to External Clock
- $EXTV_{CC}$  LDO Powers Chip from  $V_{OUT} = 3.3V$  to 40V
- OPTI-LOOP® or Fixed Internal Compensation
- Input and Output Overvoltage Protection
- Thermally Enhanced (5mm × 6mm) QFN Package

## APPLICATIONS

- Battery Chargers and CC/CV Supplies
- Automotive and Military Systems
- Industrial, Avionics and Heavy Equipment
- Medical Instruments and Telecommunication Systems

## DESCRIPTION

The **LT®7101** is a high efficiency, monolithic synchronous step-down DC/DC converter utilizing a constant frequency, average current mode control architecture. It operates from an input voltage range of 4.4V to 105V and provides an adjustable regulated output voltage from 1V to  $V_{IN}$  while delivering up to 1A of output current.

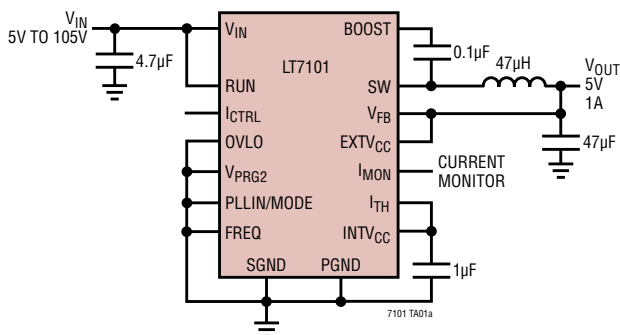
The LT7101 features high frequency operation and a low minimum on-time that reduce inductor size and enable constant-frequency operation even at very high step-down ratios. In addition, the LT7101 achieves the lowest possible dropout voltage with 100% maximum duty cycle operation. During light load operation, converter efficiency and output ripple can be optimized by selecting Burst Mode, pulse-skipping or forced continuous operation.

The LT7101 includes accurate, high speed average current programming and monitoring without the need for an external sense resistor. Additional features include a bypass LDO to maximize efficiency, fixed or adjustable output voltage and loop compensation, and a wide array of protection features to enhance reliability.

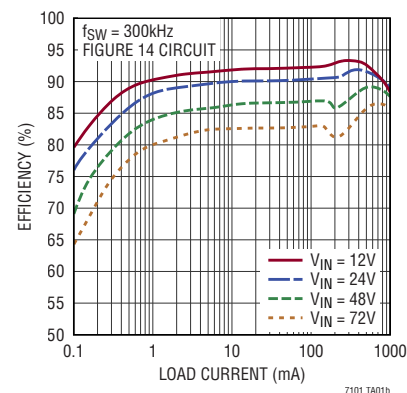
All registered trademarks and trademarks are the property of their respective owners.

## TYPICAL APPLICATION

5V to 105V Input to 5V/1A Output Step-Down Regulator



Efficiency vs Load Current



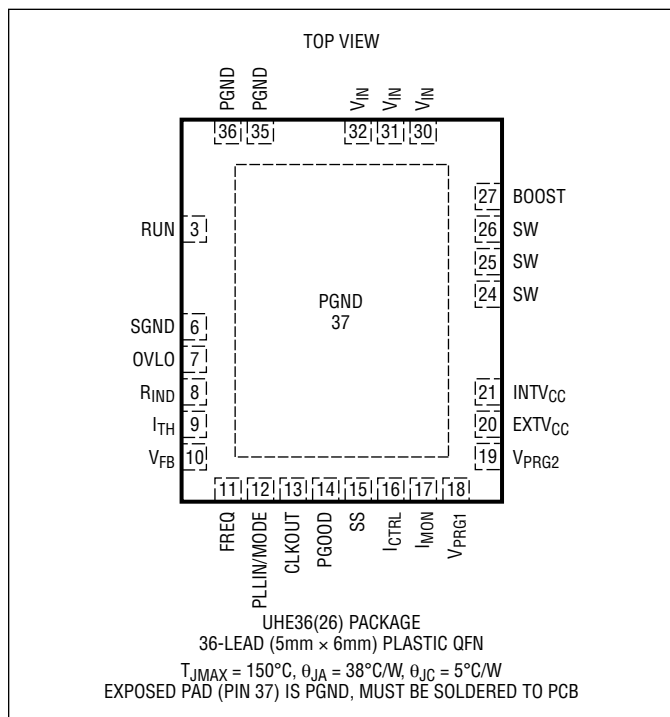
# LT7101

## ABSOLUTE MAXIMUM RATINGS

(Note 1)

$V_{IN}$ Supply Voltage.....	-0.3V to 110V
INTV <sub>CC</sub> , (BOOST-SW) Voltages.....	-0.3V to 6V
BOOST Voltage .....	-0.3V to 110V
RUN Voltage.....	-0.3V to 110V
$V_{FB}$ , PGOOD Voltages .....	-0.3V to 16V
EXTV <sub>CC</sub> Voltage .....	-0.3V to 41V
$R_{IND}$ , $V_{PRG1}$ , $V_{PRG2}$ Voltages.....	-0.3V to INTV <sub>CC</sub>
$I_{CTRL}$ , SS Voltages .....	-0.3V to INTV <sub>CC</sub>
FREQ, $I_{TH}$ , PLLIN/MODE, OVLO Voltages.....	-0.3V to 6V
Operating Junction Temperature Range (Notes 2, 3, 4)	
LT7101E, LT7101I.....	-40°C to 125°C
LT7101H.....	-40°C to 150°C
LT7101MP.....	-55°C to 150°C
Storage Temperature Range .....	-65°C to 150°C

## PIN CONFIGURATION



## ORDER INFORMATION

LEAD FREE FINISH	TAPE AND REEL	PART MARKING*	PACKAGE DESCRIPTION	TEMPERATURE RANGE
LT7101EUHE#PBF	LT7101EUHE#TRPBF	7101	36-Lead (5mm × 6mm) Plastic QFN	-40°C to 125°C
LT7101IUHE#PBF	LT7101IUHE#TRPBF	7101	36-Lead (5mm × 6mm) Plastic QFN	-40°C to 125°C
LT7101HUHE#PBF	LT7101HUHE#TRPBF	7101	36-Lead (5mm × 6mm) Plastic QFN	-40°C to 150°C
LT7101MPUHE#PBF	LT7101MPUHE#TRPBF	7101	36-Lead (5mm × 6mm) Plastic QFN	-55°C to 150°C

Contact the factory for parts specified with wider operating temperature ranges. \*The temperature grade is identified by a label on the shipping container.

[Tape and reel specifications](#). Some packages are available in 500 unit reels through designated sales channels with #TRMPBF suffix.

**ELECTRICAL CHARACTERISTICS** The ● denotes the specifications which apply over the specified operating junction temperature range, otherwise specifications are at T<sub>A</sub> = 25°C. (Note 2) V<sub>IN</sub> = 12V unless otherwise noted.

SYMBOL	PARAMETER	CONDITIONS	MIN	TYP	MAX	UNITS	
<b>Main Regulator and Voltage Loop</b>							
V <sub>IN</sub>	Operating Input Voltage Range		4.4		105	V	
V <sub>IN(UVLO)</sub>	V <sub>IN</sub> Undervoltage Lockout	V <sub>IN</sub> Rising V <sub>IN</sub> Falling	● 4.36 ● 4.11	4.50 4.25	4.64 4.39	V V	
V <sub>OUT</sub>	Operating Output Voltage Range	(Note 9)	1.0		105	V	
I <sub>Q</sub>	V <sub>IN</sub> Input DC Supply Current	(Note 8)					
	Pulse-Skipping Mode	V <sub>FB</sub> = 1.04V, EXT <sub>VCC</sub> = 3.3V V <sub>FB</sub> = 1.04V, EXT <sub>VCC</sub> = 0V		200 4.4		μA mA	
	Sleep Mode	V <sub>FB</sub> = 1.04V, EXT <sub>VCC</sub> = 3.3V V <sub>FB</sub> = 1.04V, EXT <sub>VCC</sub> = 0V		1.0 9.0		μA μA	
	Shutdown	RUN = 0V		0.7	1.5	μA	
	V <sub>IN</sub> Input Current In Regulation	Figure 14 Circuit, V <sub>IN</sub> = 48V, I <sub>OUT</sub> = 500μA Figure 16 Circuit, V <sub>IN</sub> = 48V, I <sub>OUT</sub> = 0μA		64 2	75	μA μA	
V <sub>FB</sub>	Regulated Feedback Voltage	(Note 5) I <sub>TH</sub> Voltage = 0.5V to 1.2V, V <sub>IN</sub> = 4.5V to 105V V <sub>PRG1</sub> = V <sub>PRG2</sub> = FLOAT V <sub>PRG1</sub> = V <sub>PRG2</sub> = INT <sub>VCC</sub> V <sub>PRG1</sub> = FLOAT, V <sub>PRG2</sub> = INT <sub>VCC</sub> V <sub>PRG1</sub> = V <sub>PRG2</sub> = SGND V <sub>PRG1</sub> = SGND, V <sub>PRG2</sub> = FLOAT V <sub>PRG1</sub> = SGND, V <sub>PRG2</sub> = INT <sub>VCC</sub> V <sub>PRG1</sub> = FLOAT, V <sub>PRG2</sub> = SGND V <sub>PRG1</sub> = INT <sub>VCC</sub> , V <sub>PRG2</sub> = FLOAT V <sub>PRG1</sub> = INT <sub>VCC</sub> , V <sub>PRG2</sub> = SGND	● 0.990 ● 1.182 ● 1.770 ● 2.455 ● 3.234 ● 3.528 ● 4.900 ● 11.75 ● 14.70	1.000 1.200 1.800 2.500 3.300 3.600 5.000 12.00 15.00	1.010 1.218 1.827 2.537 3.350 3.654 5.075 12.24 15.30	V V V V V V V V V	
	Feedback Input Bias Current	V <sub>PRG1</sub> = V <sub>PRG2</sub> = FLOAT V <sub>PRG1</sub> or V <sub>PRG2</sub> Tied to SGND or INT <sub>VCC</sub>		±2 1.25	±10 1.6	nA μA	
g <sub>m</sub>	Error Amplifier g <sub>m</sub>	I <sub>TH</sub> = 1V, Sink/Source = 5μA (Note 5)		1.52		mS	
t <sub>ON,MIN</sub>	Minimum Controllable ON-Time	(Note 7)	●	35	55	ns	
R <sub>DS(ON)TOP</sub>	Top Switch On-Resistance			580		mΩ	
R <sub>DS(ON)BOT</sub>	Bottom Switch On-Resistance			300		mΩ	
<b>Current Control and Monitoring</b>							
I <sub>LIM(AVG)</sub>	Average Output Current Limit	(Note 6) I <sub>CTRL</sub> = FLOAT I <sub>CTRL</sub> = 0.58V		1.00 0.16	1.11 0.22	1.21 0.28	A A
I <sub>PK</sub>	Top Switch Peak Current Limit	I <sub>CTRL</sub> = FLOAT I <sub>CTRL</sub> = 0.58V	● 1.43 ● 0.63	1.64 0.75	1.85 0.87	A A	
V <sub>IMON</sub>	Current Monitor Output Voltage	(Note 6) I <sub>SW</sub> = 1.0A I <sub>SW</sub> = 0.25A		1.13 0.552	1.21 0.603	1.29 0.654	V V
	I <sub>CTRL</sub> Pin Pull-Up Current	V <sub>ICTRL</sub> = 0.5V	●	18	20	22	μA
<b>Start-Up and Shutdown</b>							
I <sub>SS</sub>	Soft-Start Charge Current	SS = 0V	●	8	11	15	μA
t <sub>SS(INT)</sub>	Internal Soft-Start Ramp Time	SS = FLOAT			1.2		ms
V <sub>FB(OV)</sub>	Feedback Overvoltage Protection	Relative to Regulated V <sub>FB</sub>		7	10	13	%
V <sub>RUN(ON)</sub>	RUN Pin ON Threshold	V <sub>RUN</sub> Rising V <sub>RUN</sub> Falling	● 1.16 ● 1.06	1.21 1.11	1.26 1.16	V V	
	RUN Pin Hysteresis			100			mV
	RUN Pin Leakage Current	RUN = 1.5V		-10	0	10	nA

## ELECTRICAL CHARACTERISTICS

The ● denotes the specifications which apply over the specified operating junction temperature range, otherwise specifications are at  $T_A = 25^\circ\text{C}$ . (Note 2)  $V_{IN} = 12\text{V}$  unless otherwise noted.

SYMBOL	PARAMETER	CONDITIONS		MIN	TYP	MAX	UNITS
$V_{OV(R)}$	OVLO Pin Rising Threshold	$V_{OVLO}$ Rising	●	1.16	1.21	1.26	V
	OVLO Pin Hysteresis				65		mV
	OVLO Pin Leakage Current	OVLO = 1.5V		-10	0	10	nA

### Bias Regulators and Housekeeping

	INTV <sub>CC</sub> Undervoltage Lockout	INTV <sub>CC</sub> Rising INTV <sub>CC</sub> Falling			3.00 2.80		V V
$V_{EXTVCC}$	EXTV <sub>CC</sub> Switchover Voltage	EXTV <sub>CC</sub> Rising EXTV <sub>CC</sub> Falling	● ●	3.03 2.95	3.10 3.00	3.17 3.07	V V
	Regulated INTV <sub>CC</sub> Voltage from $V_{IN}$			3.37	3.50	3.63	V
	Regulated INTV <sub>CC</sub> Voltage from EXTV <sub>CC</sub>			3.37	3.50	3.63	V

### Oscillator and Phase-Locked Loop

	Programmable Frequency Accuracy	$R_{FREQ} = 12.5\text{k}$ (200kHz) to $57.5\text{k}$ (2MHz) PLLIN/MODE = 0V	●	-15		15	%
$f_{LOW}$	Low Preset Frequency	$V_{FREQ} = 0\text{V}$ ; PLLIN/MODE = 0V	●	270	300	330	kHz
$f_{HIGH}$	High Preset Frequency	$V_{FREQ} = \text{INTV}_{CC}$ ; PLLIN/MODE = 0V	●	0.9	1.0	1.1	MHz
	Synchronizable Frequency	PLLIN/MODE = External Clock	●	200		2000	kHz
	PLLIN/MODE Input High Level for Clocking	PLLIN/MODE = External Clock	●	2.0			V
	PLLIN/MODE Input Low Level for Clocking	PLLIN/MODE = External Clock	●			0.8	V

### PGOOD Output

	PGOOD Voltage Low	$I_{PGOOD} = 1\text{mA}$			0.3	0.5	V
	PGOOD Leakage Current	$V_{PGOOD} = 12\text{V}$		-1		1	$\mu\text{A}$
	PGOOD Trip Level	$V_{FB}$ with Respect to Set Regulated Voltage					
		$V_{FB}$ Ramping Positive		7	10	13	%
		Hysteresis			2.5		%
		$V_{FB}$ Ramping Negative		-13	-10	-7	%
		Hysteresis			2.5		%
$T_{PG}$	Delay for Reporting a Fault				24		$\mu\text{s}$

**Note 1:** Stresses beyond those listed under Absolute Maximum Ratings may cause permanent damage to the device. Exposure to any Absolute Maximum Rating condition for extended periods may affect device reliability and lifetime.

**Note 2:** The LT7101E is guaranteed to meet specifications from  $0^\circ\text{C}$  to  $85^\circ\text{C}$  with specifications over the  $-40^\circ\text{C}$  to  $125^\circ\text{C}$  operating junction temperature range assured by design, characterization and correlation with statistical process controls. The LT7101I is guaranteed over the  $-40^\circ\text{C}$  to  $125^\circ\text{C}$  operating junction temperature range, the LT7101H is guaranteed over the  $-40^\circ\text{C}$  to  $150^\circ\text{C}$  operating junction temperature range, and the LT7101MP is tested and guaranteed over the  $-55^\circ\text{C}$  to  $150^\circ\text{C}$  operating junction temperature range. High junction temperatures degrade operating lifetimes; operating lifetime is derated for junction temperatures greater than  $125^\circ\text{C}$ . Note that the maximum ambient temperature consistent with these specifications is determined by specific operating conditions in conjunction with board layout, the rated package thermal impedance and other environmental factors.

**Note 3:**  $T_J$  is calculated from the ambient temperature  $T_A$  and power dissipation  $P_D$  according to the following formula:

$$T_J = T_A + (P_D \cdot \theta_{JA} \text{ } ^\circ\text{C/W})$$

**Note 4:** This IC includes overtemperature protection that is intended to protect the device during momentary overload conditions. The maximum rated junction temperature will be exceeded when this protection is active. Continuous operation above the specified absolute maximum operating junction temperature may impair device reliability or permanently damage the device. The overtemperature protection level is not production tested.

**Note 5:** The LT7101 is tested in a feedback loop that servos  $V_{FB}$  to a voltage near the internal reference voltage to obtain the specified  $I_{TH}$  voltage.

**Note 6:** The Average Output Current Limit, the Top Switch Peak Current Limit and the Current Monitor Output Voltage are measured in a test circuit that simulates operation in a typical application.

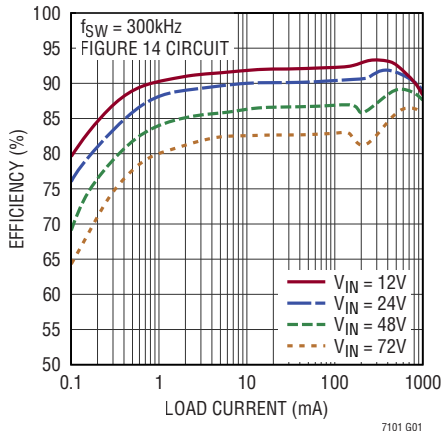
**Note 7:** The minimum controllable on-time is measured in a test mode. (See Minimum ON-Time Considerations in the Applications Information section.)

**Note 8:** Dynamic supply current is higher due to the internal gate charge being delivered at the switching frequency.

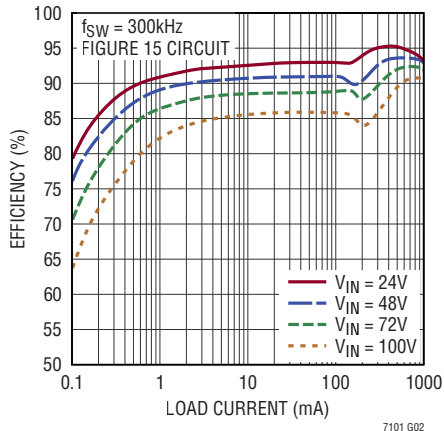
**Note 9:** See Operating at  $V_{OUT} > 6\text{V}$  in Applications Information section for details about additional design constraints that may apply.

**TYPICAL PERFORMANCE CHARACTERISTICS**  $T_A = 25^\circ\text{C}$ , unless otherwise noted.

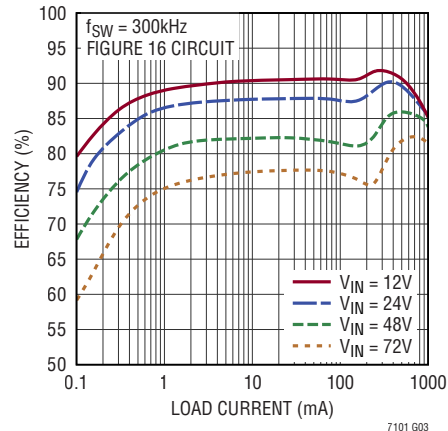
**Burst Mode Efficiency at 5V<sub>OUT</sub>**



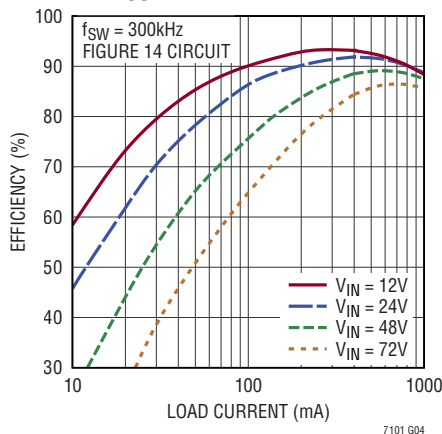
**Burst Mode Efficiency at 12V<sub>OUT</sub>**



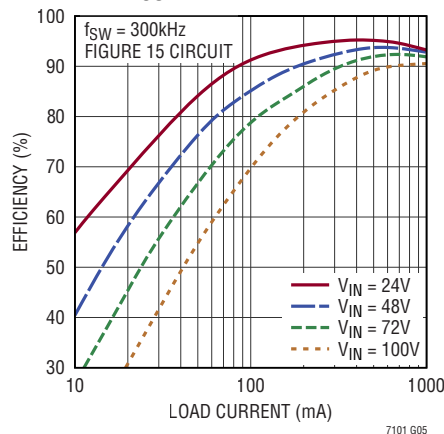
**Burst Mode Efficiency at 3.3V<sub>OUT</sub>**



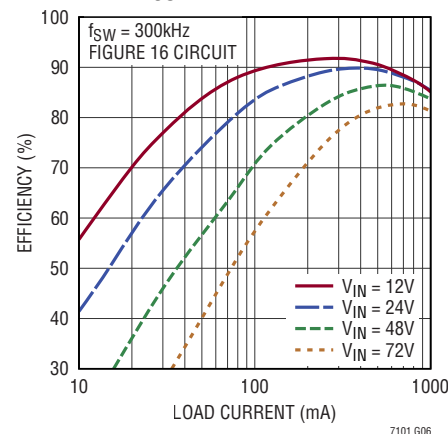
**Pulse-Skipping Mode Efficiency at 5V<sub>OUT</sub>**



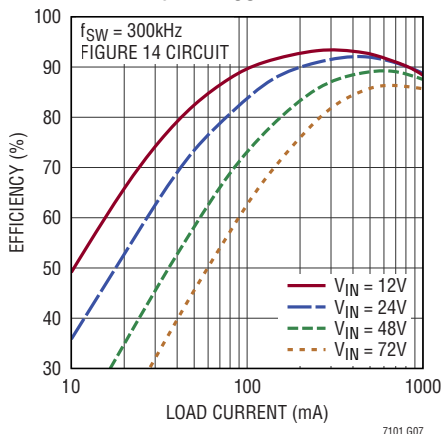
**Pulse-Skipping Mode Efficiency at 12V<sub>OUT</sub>**



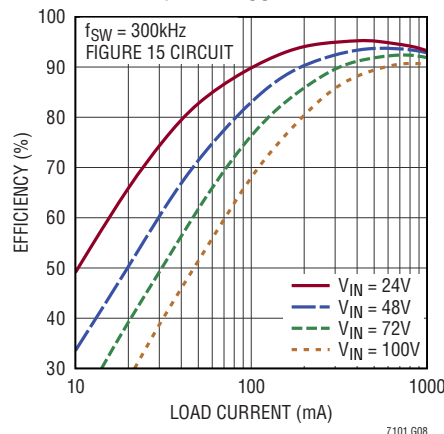
**Pulse-Skipping Mode Efficiency at 3.3V<sub>OUT</sub>**



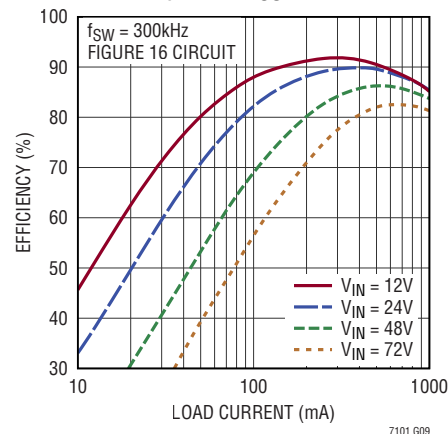
**Forced Continuous Mode Efficiency at 5V<sub>OUT</sub>**



**Forced Continuous Mode Efficiency at 12V<sub>OUT</sub>**

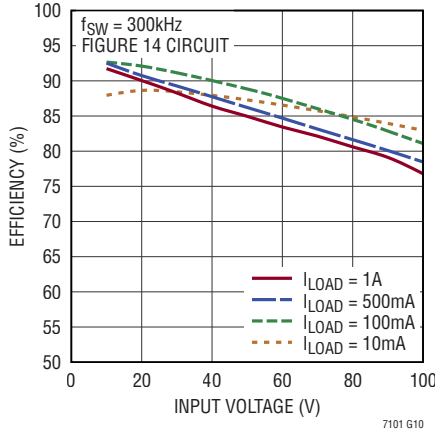


**Forced Continuous Mode Efficiency at 3.3V<sub>OUT</sub>**



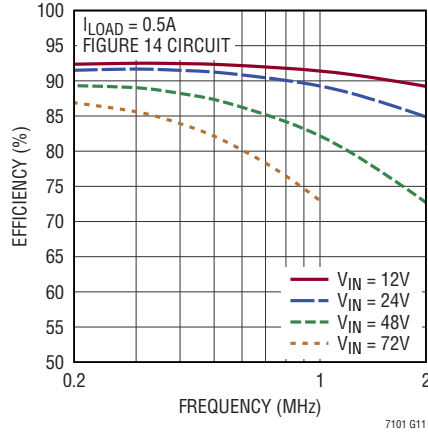
## TYPICAL PERFORMANCE CHARACTERISTICS $T_A = 25^\circ\text{C}$ , unless otherwise noted.

**Efficiency vs Input Voltage**  
 $V_{OUT} = 5V$ , Burst Mode Operation



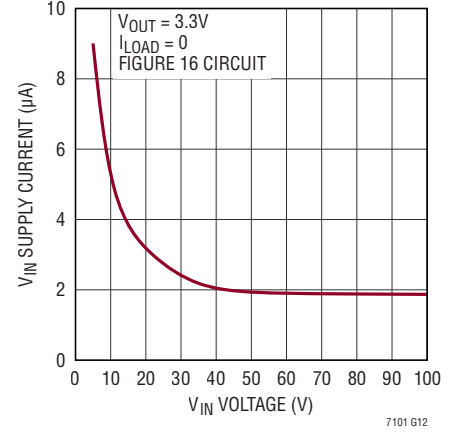
7101 G10

**Efficiency vs Frequency at 1A**



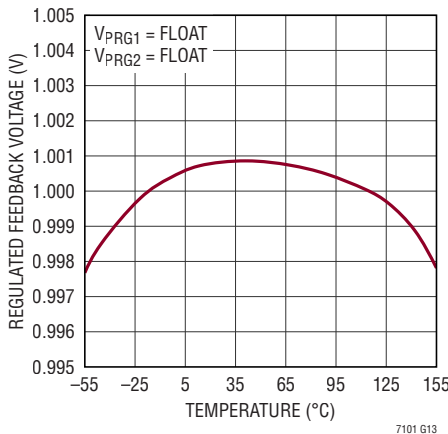
7101 G11

**$V_{IN}$  Input Current in Regulation vs Input Voltage**



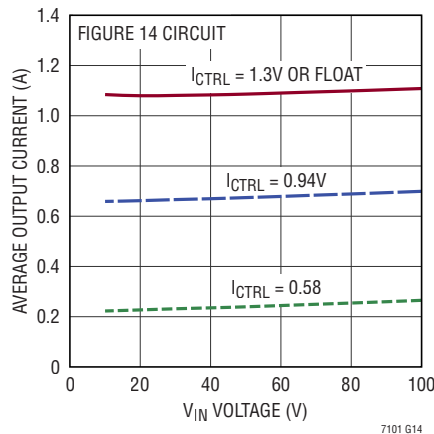
7101 G12

**Regulated Feedback Voltage vs Temperature**



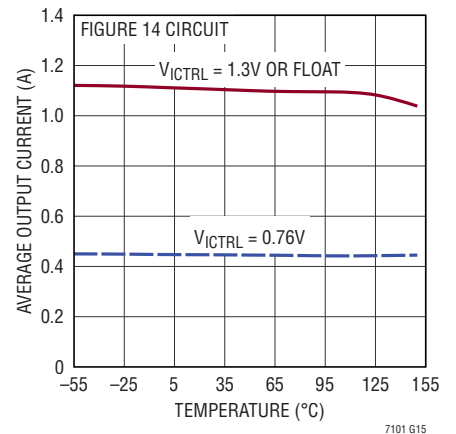
7101 G13

**Average Output Current vs  $V_{IN}$ ,  $I_{CTRL}$**



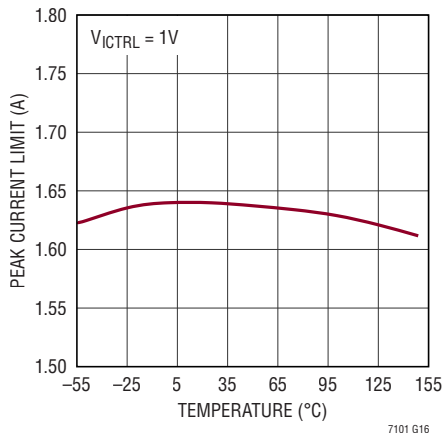
7101 G14

**Average Output Current vs Temperature**



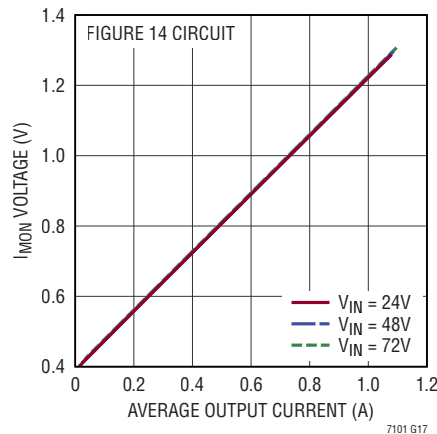
7101 G15

**Peak Current Limit vs Temperature**



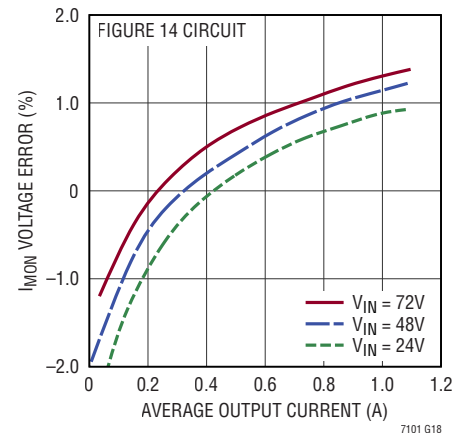
7101 G16

**Output Current Monitor vs Average Output Current**



7101 G17

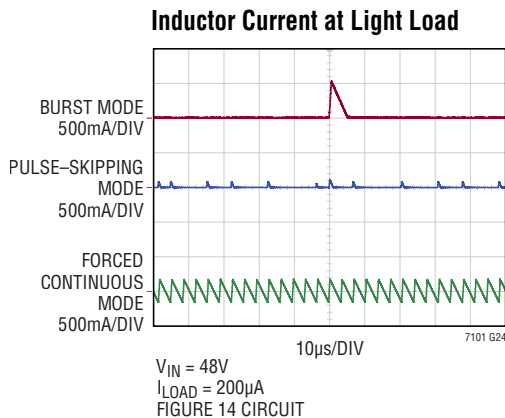
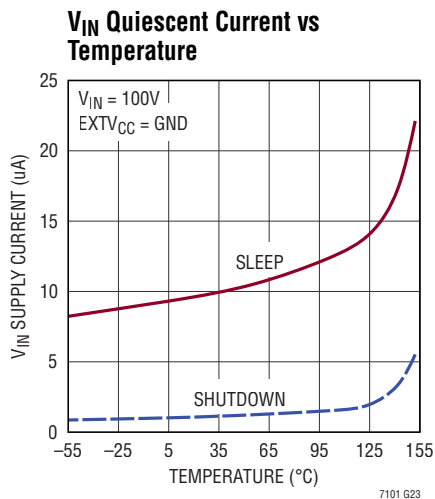
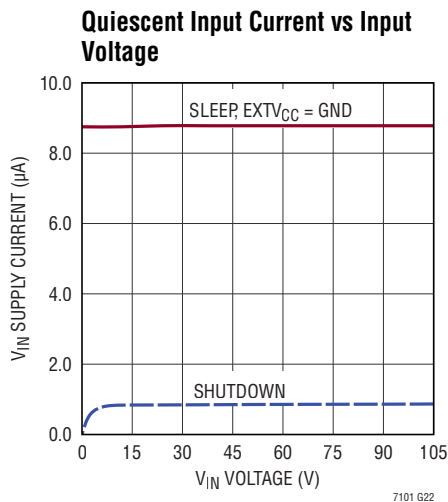
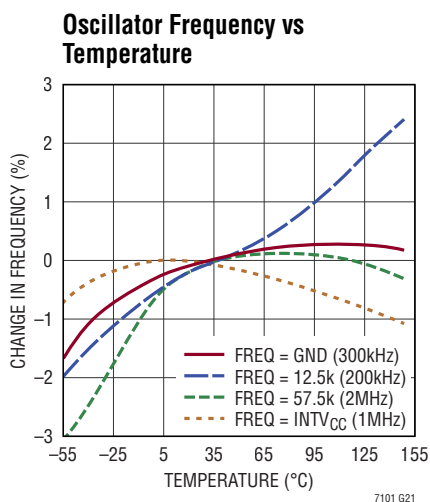
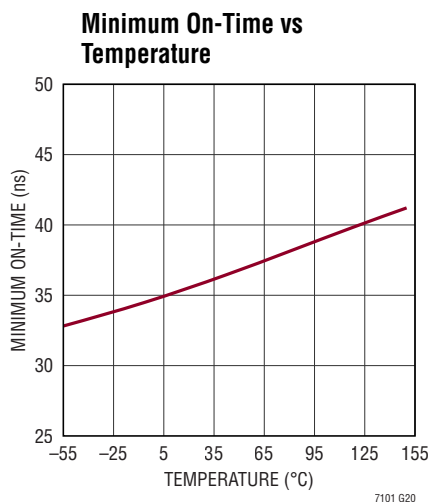
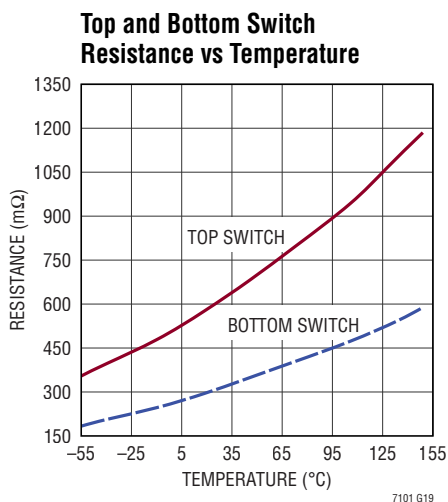
**Output Current Monitor Error vs Average Output Current**



7101 G18

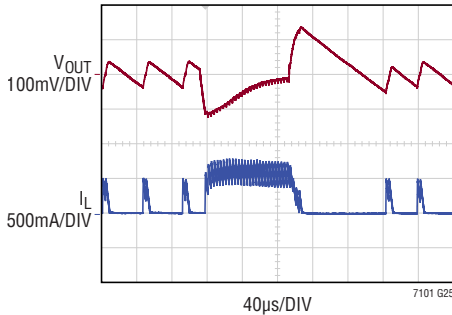
# TYPICAL PERFORMANCE CHARACTERISTICS

$T_A = 25^\circ\text{C}$ , unless otherwise noted.



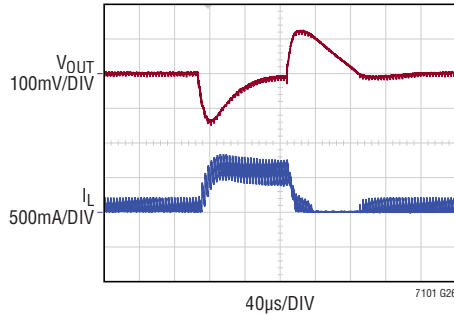
## TYPICAL PERFORMANCE CHARACTERISTICS $T_A = 25^\circ\text{C}$ , unless otherwise noted.

### Load Step Burst Mode Operation



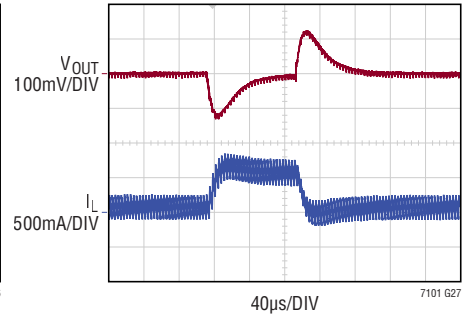
LOAD STEP = 50mA TO 500mA  
 $V_{IN} = 48\text{V}$   
 FIGURE 14 CIRCUIT

### Load Step Pulse-Skipping Mode



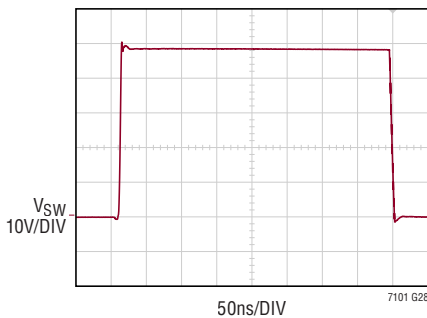
LOAD STEP = 50mA TO 500mA  
 $V_{IN} = 48\text{V}$   
 FIGURE 14 CIRCUIT

### Load Step Forced Continuous Mode



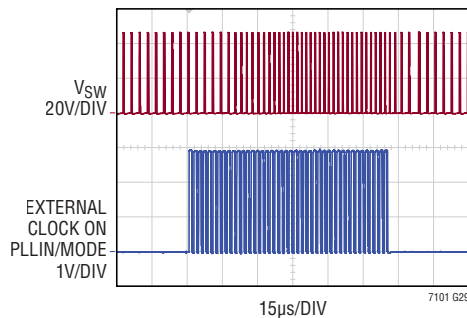
LOAD STEP = 50mA TO 500mA  
 $V_{IN} = 48\text{V}$   
 FIGURE 14 CIRCUIT

### SW Node Waveform at Full Load



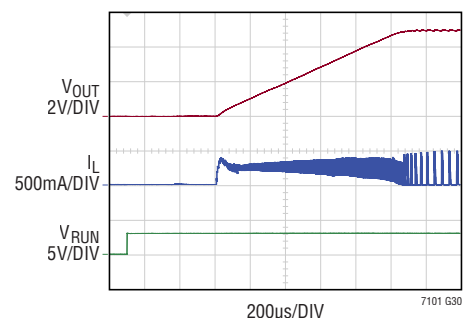
$V_{IN} = 48\text{V}$   
 $I_{LOAD} = 1\text{A}$   
 FIGURE 14 CIRCUIT

### Synchronization to External Clock



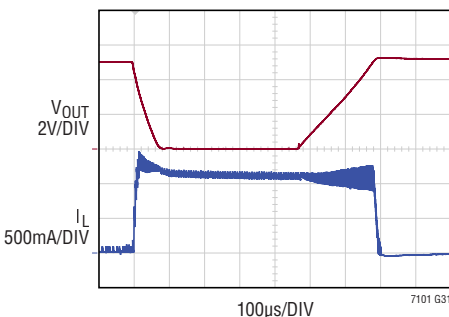
$V_{IN} = 48\text{V}$   
 $I_{LOAD} = 500\text{mA}$   
 FIGURE 14 CIRCUIT

### Start-Up from Shutdown



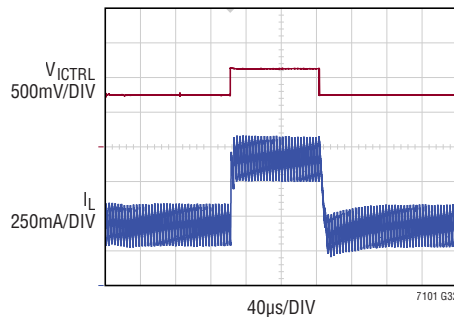
$V_{IN} = 48\text{V}$   
 Burst Mode OPERATION  
 FIGURE 14 CIRCUIT

### Short-Circuit and Recovery



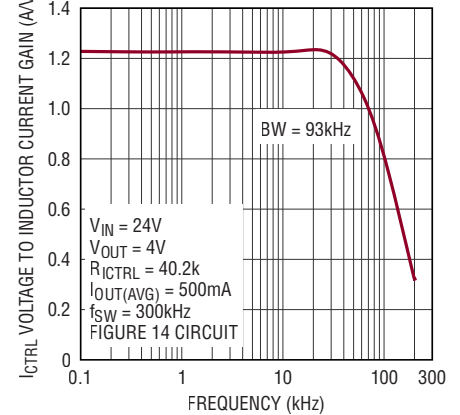
$V_{IN} = 48\text{V}$   
 PULSE-SKIPPING MODE  
 FIGURE 14 CIRCUIT

### Output Current Programming Current Loop Step Response



$V_{CTRL} = 0.76\text{V TO } 1.12\text{V PULSE}$   
 $V_{IN} = 48\text{V}, V_{OUT} = 4\text{V}$   
 FIGURE 14 CIRCUIT

### ICTRL Voltage to Inductor Current Gain vs Frequency



$V_{IN} = 24\text{V}$   
 $V_{OUT} = 4\text{V}$   
 $R_{CTRL} = 40.2\text{k}\Omega$   
 $I_{OUT(AVG)} = 500\text{mA}$   
 $f_{SW} = 300\text{kHz}$   
 FIGURE 14 CIRCUIT



**TYPICAL PERFORMANCE CHARACTERISTICS**  $T_A = 25^\circ\text{C}$ , unless otherwise noted.

**Radiated EMI Performance (CISPR25 Radiated Emission Test with Class 5 Peak Limits)**

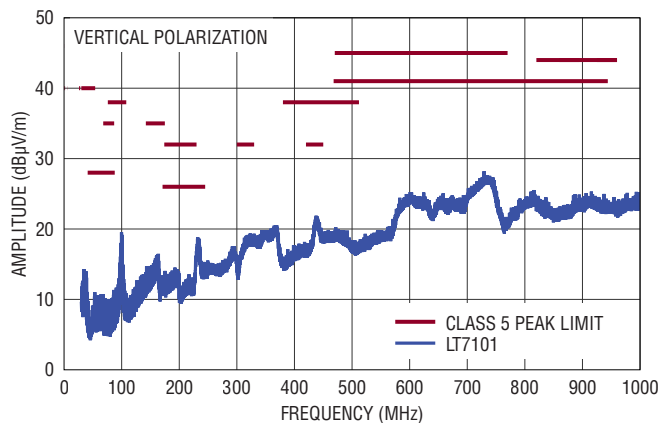


FIGURE 17 CIRCUIT  
 $48V_{IN}$  TO  $5V_{OUT}$  AT 1A  
 $f_{SW} = 400\text{kHz}$  7101 G34

**PIN FUNCTIONS**

**RUN (Pin 3):** Run Control Input. Holding this pin below 1.1V shuts off the switching regulator. Holding this pin below 0.7V reduces the quiescent current to approximately 0.7μA. Place a resistor divider between  $V_{IN}$  and this pin to use as an undervoltage lockout. Tie this pin to  $V_{IN}$  to always enable the LT7101.

**SGND (Pin 6):** Signal Ground.

**OVLO (Pin 7):** Overvoltage Shutdown Input. If the voltage on this pin exceeds 1.21V, then the switching regulator is shut down and the SS pin is internally grounded. Tie this pin to SGND to allow operation with  $V_{IN}$  up to 105V.

**R<sub>IND</sub> (Pin 8):** Sets the current used to create an internal ramp that replicates the inductor current up-slope for low duty cycle operation. This pin generates a voltage that varies with the switching frequency. Place a resistor to SGND on this pin equal to  $1/(3.3 \cdot L)$  to set the internal ramp current. This pin can be left floating if fixed output

voltage mode is selected using the  $V_{PRG1}$  and  $V_{PRG2}$  pins. If  $V_{PRG1}$  and  $V_{PRG2}$  are both floating, then a resistor from  $R_{IND}$  to SGND must be used.

**I<sub>TH</sub> (Pin 9):** Error Amplifier Output and Switching Regulator Compensation Point. Place compensation components between the  $I_{TH}$  pin and SGND. Tie this pin to  $INTV_{CC}$  for fixed internal compensation.

**V<sub>FB</sub> (Pin 10):** Regulator Feedback Input. When set to adjustable mode, use an external resistor divider between the regulator output voltage and the  $V_{FB}$  pin. For fixed output voltage mode, tie  $V_{FB}$  directly to the regulator output.

**FREQ (Pin 11):** The frequency control pin for the internal VCO. Connect this pin to SGND for 300kHz operation or to  $INTV_{CC}$  for 1MHz operation. Place a resistor to SGND on this pin to set the operating frequency between 200kHz and 2MHz. Minimize the capacitance on this pin if Burst Mode operation is used. This pin sources 40μA.

## PIN FUNCTIONS

**PLLIN/MODE (Pin 12):** External Synchronization Input to Phase Detector and Burst Mode Control Input. When an external clock is applied to this pin, the phase-locked loop will force the rising edge of the SW signal to be synchronized with the rising edge of the external clock, and the LT7101 operates in forced continuous mode. When not synchronizing to an external clock, this input determines how the LT7101 operates at light loads. Tie this pin to SGND or float to select Burst Mode operation or to INTV<sub>CC</sub> to force continuous inductor current operation. Tie this pin to INTV<sub>CC</sub> through a 100k resistor to select pulse-skipping operation. This pin sinks 10 $\mu$ A to SGND.

**CLKOUT (Pin 13):** Output clock signal available to synchronize additional regulators for parallel operation. The rising edge of CLKOUT is 180° out of phase with respect to the rising edge of the SW pin. The output level swings from SGND to INTV<sub>CC</sub>.

**PGOOD (Pin 14):** Open-Drain Power Good Output. The V<sub>FB</sub> pin is monitored to ensure that the output is in regulation. When the output is not in regulation, the PGOOD pin is pulled low.

**SS (Pin 15):** Soft-Start and Regulator Timeout Input. The voltage on the SS pin limits the regulated output voltage when the SS voltage is less than 1V. An internal 10 $\mu$ A pull-up current source is connected to this pin. A capacitor to ground at this pin sets the ramp time to final regulated output voltage. Leave this pin floating to use the internal 1.2ms soft-start ramp. The SS pin also serves as a timeout to disable switching if the EXTV<sub>CC</sub> voltage is too low. To disable the regulator timeout feature, tie a 75k resistor between SS and INTV<sub>CC</sub>. See Soft-Start and LDO Regulator Timeout in the Applications Information section.

**I<sub>CTRL</sub> (Pin 16):** Programs the Average Output Current in Constant Current Mode. The voltage on this pin determines the maximum I<sub>TH</sub> voltage, which in turn sets the average output current in constant-current mode. The peak current limit tracks 0.53A above the average current limit set point. Tie this pin to a voltage between 0.4V and 1.3V to program the average output current to a value between 0A and 1.11A. An internal 20 $\mu$ A pull-up on this

pin allows a single resistor to SGND to be used to set the voltage. Float this pin to set the average output current to 1.11A and the peak current limit to 1.64A.

**I<sub>MON</sub> (Pin 17):** Average Output Current Monitor. This pin generates a voltage between 0.4V and 1.3V that corresponds to an average output current between 0A and 1.11A.

**V<sub>PRG1</sub>, V<sub>PRG2</sub> (Pins 18, 19):** Output Voltage Programming Pins. These pins set the regulator to adjustable output mode or to fixed output mode. Floating both pins allows the output to be programmed through the V<sub>FB</sub> pin using external resistors, regulating V<sub>FB</sub> to the 1V reference. Tying one of these pins to SGND or INTV<sub>CC</sub> while the other is tied to SGND, INTV<sub>CC</sub> or floating programs the output to one of eight fixed output voltages. See Output Voltage Programming in the Applications Information section.

**EXTV<sub>CC</sub> (Pin 20):** External Power Input to an Internal LDO that Generates INTV<sub>CC</sub>. This LDO supplies INTV<sub>CC</sub> power from EXTV<sub>CC</sub>, bypassing the internal LDO powered from V<sub>IN</sub> whenever EXTV<sub>CC</sub> is between 3.1V and 40V. If EXTV<sub>CC</sub> is not used, the regulator timeout feature must be disabled by tying a 75k resistor between SS and INTV<sub>CC</sub>. See INTV<sub>CC</sub> Regulations in the Applications Information section.

**INTV<sub>CC</sub> (Pin 21):** Output of the Internal LDO regulator. The driver and control circuits are powered from this voltage source. Must be decoupled to PGND with a 1 $\mu$ F to 4.7 $\mu$ F ceramic capacitor.

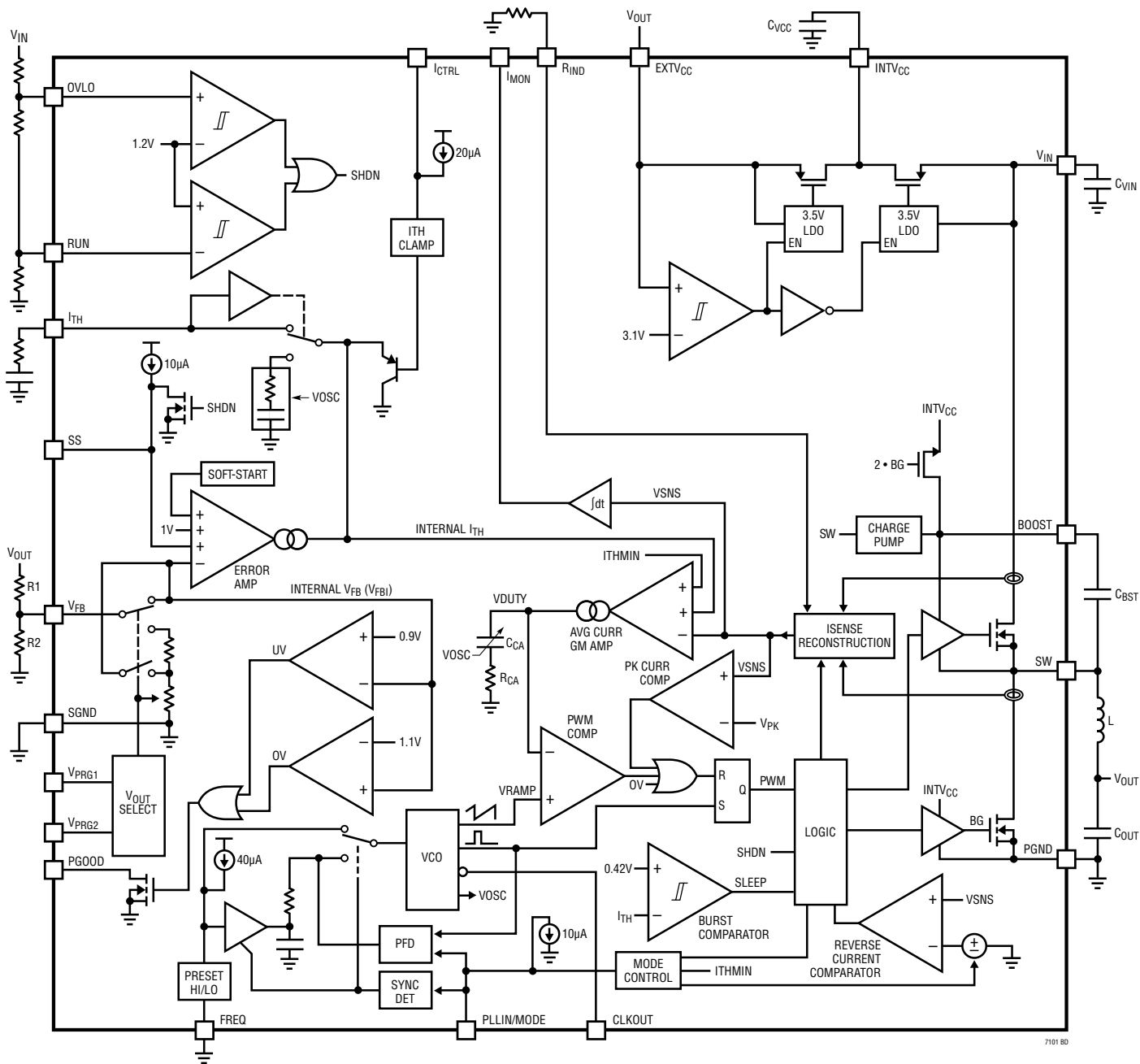
**SW (Pins 24, 25, 26):** SW Node connection from the internal MOSFET power switches to the output inductor.

**BOOST (Pin 27):** Bootstrapped Supply to the High Side Floating Gate Driver. Connect a 0.1 $\mu$ F ceramic capacitor between the BOOST and SW pins.

**V<sub>IN</sub> (Pins 30, 31, 32):** Power Input Supply. This is the power input to the integrated high side MOSFET switch as well as the input to the internal LDO that generates INTV<sub>CC</sub> voltage. Decouple this pin with a capacitor to PGND.

**PGND/Exposed Pad (Pin 35, 36, 37):** Power Ground. Connect to power ground plane. The exposed pad must be connected to PCB ground for rated electrical and thermal performance.

# FUNCTIONAL DIAGRAM



## OPERATION

### Main Control Loop

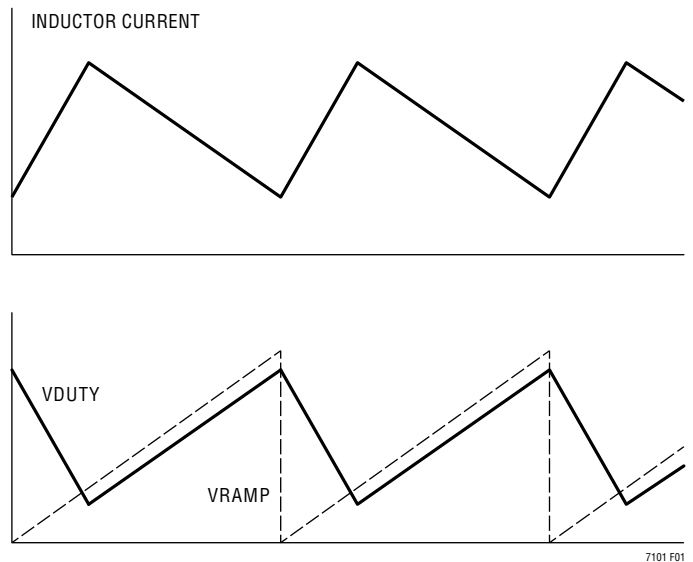
The LT7101 is a high efficiency, monolithic, synchronous step-down DC/DC converter utilizing a constant frequency, average current mode control architecture. Average current mode control enables fast and precise control of the output current without the need for an external sense resistor or current sense amplifier. Instead, the inductor current is sensed internally by losslessly monitoring the top and bottom power switch currents. The LT7101 also contains a unique circuit that replicates the inductor current immediately after the top switch turn-on and combines this with the sensed switch currents to fully reconstruct the inductor current signal internally. This technique allows for direct control and monitoring of the average output current as well as clean operation at very low duty cycles.

During normal operation, the internal top power switch (N-channel MOSFET) is turned on at the beginning of each clock cycle, causing the inductor current to increase. The sensed inductor current is then delivered to the average current amplifier, whose output (VDUTY) is compared with a saw-tooth ramp (VRAMP). When the VRAMP voltage exceeds the VDUTY voltage, the PWM comparator trips and turns off the top power MOSFET.

After the top power MOSFET turns off, the synchronous power switch (N-channel MOSFET) turns on, causing the inductor current to decrease. The bottom switch stays on until the beginning of the next clock cycle, unless the reverse current limit is reached and the reverse current comparator trips. The reverse current limit is 0.4A for forced continuous mode and 0A for burst and pulse-skipping modes.

In closed-loop operation, the average current amplifier creates an average current loop that forces the average sensed current signal to be equal to the internal  $I_{TH}$  voltage. Note that the DC gain and compensation of this average current loop is automatically adjusted to maintain an optimum current-loop response. The error amplifier adjusts the  $I_{TH}$  voltage by comparing the divided-down output voltage ( $V_{FB1}$ ) with a 1.0V reference voltage. If the load current changes, the error amplifier adjusts the average inductor current as needed to keep the output voltage in regulation.

The LT7101 has been optimized to provide the fastest possible average current loop. To achieve this, the filter on the average current amplifier output ( $C_{CA}$ ,  $R_{CA}$ ) is set to provide high DC gain (provided by integrator capacitor  $C_{CA}$ ) while allowing the inductor current signal to pass through unfiltered. This is accomplished by resistor  $R_{CA}$ , which introduces a zero that is well below the switching frequency. The resulting typical PWM comparator waveforms are shown in Figure 1. Note that the VDUTY signal is an inverted reflection of the inductor current signal, which is essential for obtaining a high speed average current loop.



**Figure 1. Typical Current Loop Operating Waveforms**

Voltage loop compensation can be set externally using the  $I_{TH}$  pin, taking advantage of OPTI-LOOP compensation to optimize the loop response. The compensation of the voltage loop is essentially the same as for peak current mode control. Alternatively, the  $I_{TH}$  pin can be tied to  $INTV_{CC}$  to select internal voltage loop compensation. When internal voltage loop compensation is selected, the LT7101 automatically adjusts the internal compensation based on switching frequency to maintain a fast and stable voltage loop.

### Power and Bias Supplies ( $V_{IN}$ , SW, BOOST, $INTV_{CC}$ , $EXTV_{CC}$ Pins)

The  $V_{IN}$  pins on the LT7101 are used to supply voltage to the drain terminal of the internal high side N-channel

## OPERATION

MOSFET. These pins also supply bias voltage for an internal LDO regulator (the  $V_{IN}$  LDO) that generates 3.5V at  $INTV_{CC}$ . The voltage on  $INTV_{CC}$  in turn is used for internal chip bias as well as gate drive for the bottom power MOSFETs. The gate drive for the top power MOSFET is supplied by a floating supply ( $C_{BST}$ ) between the BOOST and SW pins, which is charged by an internal synchronous diode from  $INTV_{CC}$ . In addition, an internal charge pump allows for 100% duty cycle operation by maintaining the BOOST to SW voltage when the top MOSFET is on continuously.

To improve efficiency and limit power dissipation in the  $V_{IN}$  LDO regulator, a second LDO regulator (the  $EXTV_{CC}$  LDO) allows the  $INTV_{CC}$  voltage to be derived from the lower-voltage  $EXTV_{CC}$  pin. In most applications, the  $EXTV_{CC}$  pin is simply tied directly to the regulated output voltage of the DC/DC converter to enable operation in a high efficiency, bootstrapped configuration. In order to ensure that the power dissipation on the internal  $V_{IN}$  LDO is limited to a safe level, the LT7101 incorporates a special regulator timeout feature into the soft-start pin.

### Start-Up and Shutdown (RUN, SS, OVLO Pins)

When the RUN pin is below 0.7V, the LT7101 enters a low current shutdown state, reducing the DC supply current to 0.7 $\mu$ A. When the RUN pin is above 0.7V and the  $V_{IN}$  pin is above than the internal undervoltage threshold ( $V_{IN(UVLO)}$ ) of 4.55V, the  $INTV_{CC}$  LDO regulators are enabled. However, switching is inhibited until the RUN pin is greater than  $V_{RUN(ON)} = 1.21V$ . This allows the RUN pin to be used to implement a  $V_{IN}$  undervoltage lockout function so that the power supply will not operate below a user-adjustable level. In addition, switching is also inhibited if the voltage on the OVLO pin exceeds  $V_{OV(R)} = 1.21V$ . This feature can be used to implement an input overvoltage lockout function to prevent power supply operation during an overvoltage condition on the input supply.

When appropriate voltages are present on the  $V_{IN}$ , RUN and OVLO pins, the LT7101 will begin switching and initiate a soft-start ramp of the output voltage. An internal soft-start ramp of 1.2ms will limit the ramp rate of the output voltage to prevent excessive input current during start-up. If a longer ramp time is desired, a capacitor can be placed from the SS pin to ground. The 10 $\mu$ A current that is sourced from the SS pin will create a smooth

voltage ramp on the capacitor. If this external ramp rate is slower than the internal 1.2ms soft-start, then the output voltage will be limited by the ramp rate on the SS pin instead. Once both the external and internal soft-start ramps have exceeded 1V, the output voltage will be in regulation. The internal and external soft-start functions are reset during initial start-up and after an undervoltage or overvoltage condition on the input supply.

The soft-start pin is also used to implement a regulator timeout feature. This feature limits die temperature rise due to power dissipation in the internal  $V_{IN}$  LDO regulator by disabling the top and bottom power MOSFETs after a timeout, if  $EXTV_{CC}$  voltage is not present. This is useful, for example, if  $EXTV_{CC}$  is tied to the output of the DC/DC converter, but the converter output gets shorted to ground. During start-up, a regulator timeout begins after both the internal and external soft-start ramps have exceeded 1V, and  $EXTV_{CC} < 3V$ . If this condition persists for a period of time (approximately 1.4 times the normal soft-start time), then a regulator timeout fault occurs and all switching stops. After a long restart delay (approximately 46 times the normal soft-start time), a restart is initiated. If the regulator timeout feature is not needed, the SS pin should be tied to  $INTV_{CC}$  through a 75k resistor. See Soft-Start and LDO Regulator Timeout in the Applications Section for more information.

### Output Voltage Programming ( $V_{PRG1}$ , $V_{PRG2}$ , $V_{FB}$ Pins)

The  $V_{PRG1}$  and  $V_{PRG2}$  pins provide a great deal of flexibility in programming the output voltage of the power supply. Floating both pins selects adjustable  $V_{OUT}$  mode. In this mode, the output is programmed using external resistors on the  $V_{FB}$  pin, and the  $V_{FB}$  voltage is regulated to the 1V reference. If one of the pins is tied either to SGND or  $INTV_{CC}$ , then fixed output voltage mode is selected. In this mode, precision internal resistor dividers are used to program the output voltage to one of eight fixed voltage levels. See Output Voltage Programming in the Applications Information Section.

### Inductor Current Replication ( $R_{IND}$ Pin)

The LT7101 contains a unique circuit that replicates the inductor current immediately after the top switch turn-on and combines this with the sensed switch currents

## OPERATION

to fully reconstruct the inductor current signal internally. This technique allows for direct control and monitoring of the average output current as well as clean operation at very short top switch on-times. In order to replicate the inductor current, the LT7101 needs to know the approximate value of the inductor. This is achieved by placing a resistor on the  $R_{IND}$  pin that is equal to  $1/(3.3 \cdot L)$ . The LT7101 uses the current in the  $R_{IND}$  resistor in conjunction with the voltage on the  $V_{IN}$  and SW pins to generate a replicated inductor current signal. In addition, the  $R_{IND}$  pin current is also used in conjunction with the voltages on  $V_{IN}$  and SW to set the DC gain of the average current amplifier. This is done to maintain optimum current loop performance over all operating conditions.

Note that if fixed output voltage mode is selected using the  $V_{PRG1}$  and  $V_{PRG2}$  pins, then the  $R_{IND}$  pin can be left floating. In this case, the LT7101 will assume a particular inductor value based on output voltage and switching frequency. See Inductor Value and  $R_{IND}$  Resistor Selection in the Applications Information section.

### Light Load Operation: Forced Continuous, Burst and Pulse-Skipping Modes (PLLIN/MODE Pin)

The LT7101 can be set to enter high efficiency Burst Mode operation, constant frequency pulse-skipping mode or forced continuous mode at low load currents. To select Burst Mode operation, tie the PLLIN/MODE pin to ground. To select forced continuous operation, tie the PLLIN/MODE pin to  $INTV_{CC}$ . To select pulse-skipping mode, tie the PLLIN/MODE pin to  $INTV_{CC}$  through a 100k resistor.

When the LT7101 is set for Burst Mode operation, the minimum output current is set to approximately 100mA even though the voltage on the  $I_{TH}$  pin might indicate a lower value. If the average inductor current is higher than the load current, the error amplifier will decrease the voltage on the  $I_{TH}$  pin. When the  $I_{TH}$  voltage drops below 0.4V, the internal sleep signal goes high (enabling sleep mode) and both MOSFETs are turned off. The  $I_{TH}$  pin is then disconnected from the output of the error amplifier and parked at 0.43V.

In sleep mode, much of the internal circuitry is turned off, reducing the total quiescent current that the LT7101

draws to 9 $\mu$ A. When  $EXTV_{CC}$  is present, the majority of this quiescent current (8 $\mu$ A) is drawn from the  $EXTV_{CC}$  supply and only 1 $\mu$ A is drawn from the  $V_{IN}$  supply. This dramatically reduces the sleep mode  $V_{IN}$  supply current in bootstrapped applications where  $EXTV_{CC}$  is tied to  $V_{OUT}$  and  $V_{IN} \gg V_{OUT}$ . In sleep mode, the load current is supplied by the output capacitor. As the output voltage  $V_{OUT}$  decreases, the error amplifier output begins to rise. When the  $V_{OUT}$  voltage drops enough, the  $I_{TH}$  pin is reconnected to the output of the error amplifier, the sleep signal goes low, and normal operation is resumed by turning on the top MOSFET on the next cycle of the internal oscillator.

When the LT7101 is set for Burst Mode operation, the inductor current is not allowed to reverse. The reverse current comparator turns off the bottom MOSFET just before the inductor current reaches zero, preventing it from reversing and going negative. Thus, the converter operates with discontinuous inductor current (DCM).

In forced continuous operation, the inductor current is allowed to reverse at light loads or under large transient conditions. This maintains continuous inductor current operation (CCM) down to no load, and the average inductor current is always determined by the voltage on the  $I_{TH}$  pin. In this mode, the efficiency at light loads is lower than in Burst Mode operation. However, continuous operation has the advantage of lower output voltage ripple and less interference to audio circuitry. In forced continuous mode, the output ripple is independent of load current.

When the PLLIN/MODE pin is connected for pulse-skipping mode, the LT7101 operates in PWM pulse-skipping mode at light loads. In this mode, constant frequency operation is maintained down to approximately 1% of designed maximum output current. At very light loads, the PWM comparator may remain tripped for several cycles and force the top MOSFET to stay off for the same number of cycles (i.e., skipping pulses). The inductor current is not allowed to reverse (discontinuous operation). This mode, like forced continuous operation, exhibits low output ripple as well as low audio noise and reduced RF interference as compared to Burst Mode operation. It provides higher low current efficiency than forced continuous mode, but not nearly as high as Burst Mode operation.

## OPERATION

When operating with discontinuous inductor current (DCM) in either burst or pulse-skipping mode, the LT7101 smoothly transitions from average current to peak current control. This feature eases compensation of the voltage loop in light load DCM operation by removing the pole associated with the average current loop.

To avoid spurious changes in the operating mode, the LT7101 incorporates a 20 $\mu$ s delay before changing from one mode to another. This is particularly helpful since the PLLIN/MODE pin can be used to select an initial operating mode, and subsequently be used to receive an external clock for synchronization. The 20 $\mu$ s delay avoids changes in mode while the synchronizing signal is recognized. When synchronized, the LT7101 operates in forced continuous mode.

### Frequency Selection and Phase-Locked Loop (FREQ, PLLIN/MODE Pins)

The switching frequency of the LT7101 can be selected using the FREQ pin, which can be tied to SGND, tied to INTV<sub>CC</sub>, or programmed through an external resistor. Tying FREQ to SGND selects 300kHz while tying FREQ to INTV<sub>CC</sub> selects 1MHz. Placing a resistor between FREQ and SGND sends the FREQ pin voltage into the input of the voltage controlled oscillator (VCO), allowing the frequency to be programmed between 200kHz and 2MHz.

A phase-locked loop (PLL) is available on the LT7101 to synchronize the internal oscillator to an external clock source that is connected to the PLLIN/MODE pin. The LT7101's phase detector (PFD) and low pass filter adjust the voltage of the VCO input to align the turn-on of the top MOSFET to the rising edge of the synchronizing signal.

When an external clock is detected, the PFD low pass filter is quickly prebiased to the operating frequency set by the FREQ pin before the PLL is allowed to take over the VCO. If prebiased near the external clock frequency, the PLL loop only needs to make slight changes to the VCO input in order to synchronize the rising edge of the external clock's to the top MOSFET turn-on. The ability to prebias the loop filter allows the PLL to lock in rapidly without deviating far from the desired frequency.

The typical capture range of the phase-locked loop is from approximately 160kHz to 2.3MHz, with a guarantee over all manufacturing variations to be between 200kHz and 2MHz. In other words, the LT7101's PLL is guaranteed to lock to an external clock source whose frequency is between 200kHz and 2MHz.

After the PLL has locked to an external clock, if the external clock is stopped, the LT7101 will immediately detect this condition and prevent the PFD from adjusting the loop, so that the internal oscillator continues operating at the external clock frequency. After approximately 9 $\mu$ s, the LT7101 will detect a loss of SYNC, and the oscillator operating frequency returns to the level set by the FREQ pin. This feature prevents the oscillator frequency from dipping momentarily when the external clock is stopped, and enables smooth transitions into and out of synchronization.

The typical input clock thresholds on the PLLIN/MODE pin are 1.5V rising and 1.1V falling, and this input is TTL compatible.

The CLKOUT pin supplies a reference clock that is helpful for synchronizing other switching circuits to the LT7101 switching frequency. The output high level of this signal is equal to INTV<sub>CC</sub> (3.5V typical), and the rising edge of the CLKOUT signal is 180° out of phase with respect to the top MOSFET turn-on. This makes it easy to synchronize two LT7101 converters and operate them out of phase to minimize input current, or to use two LT7101's together for a higher current, 2-Phase converter. See 2-Phase Operation in the Applications Information section.

### Setting and Monitoring Output Current (I<sub>CTRL</sub>, I<sub>MON</sub> Pins)

Because the LT7101 utilizes average current mode control, in which the I<sub>TH</sub> voltage is proportional to average output current, the setting and monitoring of the average output current is straight-forward.

The average output current limit is set using the I<sub>CTRL</sub> pin, whose voltage directly clamps the I<sub>TH</sub> voltage to a maximum level. Tie this pin to a voltage between 0.4V and 1.3V to program the average output current to a value

## OPERATION

between 0A and 1.11A. An internal 20 $\mu$ A pull-up on this pin allows a single resistor to SGND to be used to set the voltage. This pin can be floated to set the average output current to 1.11A and the peak current limit to 1.64A.

By maintaining a fast and optimized current loop over all operating conditions, the LT7101 responds to changes in the  $I_{CTRL}$  pin voltage with the greatest possible speed. This is orders of magnitude faster than most competing solutions, where a slow, average current loop is placed outside of the voltage regulation loop. By placing the average current loop inside of the voltage regulation loop, the LT7101 allows for current programming on a nearly cycle-by-cycle basis.

The average output current can be monitored at the  $I_{MON}$  pin. The reconstructed inductor current signal ( $V_{SNS}$ ) is run through a low pass filter ( $f_c = 10\text{kHz}$ ), buffered, and then delivered to the  $I_{MON}$  pin. The voltage on the  $I_{MON}$  normally varies between 0.4V and 1.3V, corresponding to an average output current between 0A and 1.11A. The  $I_{MON}$  voltage may momentarily be less than 0.4V or greater than 1.3V, but eventually is limited to these levels by the average current loop. During SLEEP, this pin is held at 0.4V.

### Short-Circuit Protection and Minimum On-Time

The architecture of the LT7101 provides inherent protection against short-circuit conditions, without the need for folding back either the output current or the oscillator frequency. This is made possible because the PWM comparator is continuously receiving inductor current information from the average current amplifier. This results in automatic cycle skipping under short-circuit conditions if the minimum on-time of the top switch is too long to maintain control of the inductor current at the full switching frequency. Because a given switching cycle is skipped only as needed to satisfy the high speed average current loop, this creates a brick-wall style current limit without any foldback or hiccups in the operation down to  $V_{OUT} = 0\text{V}$ . Figure 2 illustrates the typical operation of this brick-wall current limit.

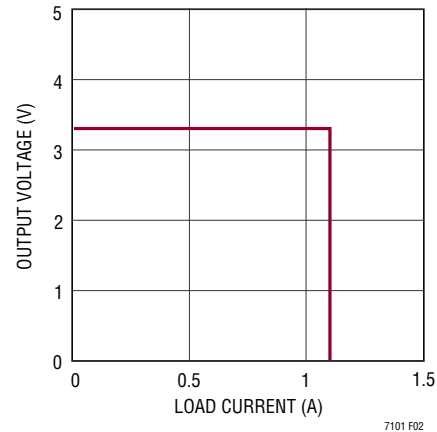


Figure 2. Typical Current Limit Operation

While the average current loop is extremely fast, a failsafe peak current limit ( $I_{PK}$ ) comparator has also been incorporated to ensure that the inductor current cannot exceed a safe level even momentarily. The peak current limit is internally set to 0.53A above the average current limit, and tracks with the average current limit set by the voltage on the  $I_{CTRL}$  pin. In practice, this peak current limit comparator is only needed when there is an abnormal voltage on the average current amplifier output filter and a short-circuit is simultaneously applied. In this case, the peak current limit comparator may be needed for a few cycles while the average current amplifier filter settles.

When operating at a high step-down ratio from  $V_{IN}$  to  $V_{OUT}$ , care should be taken to choose a switching frequency that is low enough to avoid operation at minimum on-time. However, in the event that a high step-down ratio requires an on-time that is less than the minimum, the LT7101 architecture offers inherent protection against output overvoltage. Once again, the PWM comparator will automatically cause the skipping of a cycle as needed to maintain regulation of the output voltage. While this avoids output overvoltage, operation in this mode is undesirable as it increases inductor current ripple.

In addition to this inherent protection, a separate output overvoltage comparator monitors the  $V_{FB}$  voltage and prevents top MOSFET turn-on if an overvoltage condition is present ( $V_{FB}$  exceeds  $V_{FB(OV)}$ ).



## OPERATION

### Boost Supply and Dropout Operation

By making use of an internal charge pump, the LT7101 is capable of operating at 100% duty cycle, providing the lowest possible dropout voltage and zero switching noise while in dropout. This charge pump delivers the small current required to maintain the static gate voltage on the top MOSFET switch when operating in dropout. When not operating in dropout, the gate drive voltage required for switching the top MOSFET switch is supplied by the charge pump formed by the BOOST capacitor ( $C_{BST}$ ), the bottom MOSFET switch, and an internal switch from  $INTV_{CC}$  to BOOST. As dropout is approached, the on-time of the bottom MOSFET switch is lengthened as needed to maintain an adequate supply to the floating gate driver between BOOST and SW.

### Power Good (PGOOD Pin)

The PGOOD pin is connected to the open drain of an internal N-channel MOSFET. The MOSFET turns on and pulls the PGOOD pin low when the internal feedback voltage ( $V_{FBI}$ ) is not within  $\pm 10\%$  of the 1V reference voltage. The PGOOD pin is also pulled low when the RUN pin is low

(shutdown). When  $V_{FBI}$  is within the  $\pm 10\%$  requirement, the MOSFET is turned off and the pin is allowed to be pulled up by an external resistor to a source no greater than 16V. There is a  $24\mu s$  delay ( $T_{PG}$ ) before the PGOOD pin goes low in response to the  $V_{FBI}$  voltage going outside of the  $\pm 10\%$  window.

### Overtemperature and Overvoltage Protection

In addition to the OVLO pin, which provides a user-adjustable protection against  $V_{IN}$  overvoltage, the LT7101 contains an internal  $V_{IN}$  overvoltage shutdown feature. If the  $V_{IN}$  pin voltage exceeds 118.5V rising (112V falling), then the top and bottom MOSFETs are held off and all switching stops. Likewise, if the internal die temperature exceeds  $171^{\circ}C$  rising ( $155^{\circ}C$  falling), then the LT7101 disables switching until the temperature drops. Note that the internal overvoltage and overtemperature protection features are activated outside of the absolute maximum range of operation, and therefore should not be relied upon operationally. These features are only intended as a secondary failsafe to improve overall system reliability and safety.

## APPLICATIONS INFORMATION

A general LT7101 application circuit is shown on the first page of this data sheet. External component selection is largely driven by the load requirement and begins with the selection of the operating frequency and light load operating mode. Next, the inductor L is chosen, which also determines the value of resistor R<sub>IND</sub>. After the inductor is chosen, the input capacitor C<sub>IN</sub>, the output capacitor C<sub>OUT</sub>, the internal regulator capacitor C<sub>VCC</sub>, and the boost capacitor C<sub>BST</sub>, can be selected. Next, either a fixed output voltage or feedback resistors are selected to set the desired output voltage. Finally, the remaining optional external components can be selected for functions such as V<sub>IN</sub> undervoltage/overvoltage lock-out, external soft-start, LDO regulator timeout, external loop compensation, average output current monitor and limit, and PGOOD.

### Setting the Operating Frequency

Selection of the operating frequency is a trade-off between efficiency and component size. High frequency operation allows the use of smaller inductor and capacitor values. Operation at lower frequencies improves efficiency by reducing internal gate charge and transition losses, but requires larger inductance values and/or capacitance to maintain low output ripple voltage.

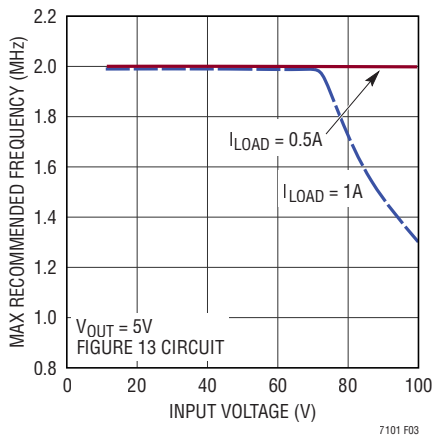


Figure 3. Maximum Recommended Frequency vs Input Voltage

For most LT7101 applications, a good balance between size and efficiency is achieved with a switching frequency between 300kHz and 750kHz. Operating at higher switching frequencies up to 2MHz is readily possible, but switching losses generally limit the input voltage to lower levels.

This is illustrated in Figure 3, which shows the maximum recommended switching frequency versus input voltage at 0.5A and 1A loads for the application circuit of Figure 14. These lines correspond to a power loss of 2.5W in the LT7101, which will result in a junction temperature rise of approximately 85°C without air flow. See Efficiency Considerations and Thermal Considerations sections for more information on calculating the power loss and temperature rise.

An additional constraint on operating frequency is the minimum controllable on-time of the LT7101. While the architecture of the LT7101 inherently maintains output voltage regulation even if the minimum on-time is exceeded, cycle-skipping will result in increased inductor current ripple. To avoid this, choose a switching frequency such that:

$$f < \frac{V_{OUT}}{V_{IN(MAX)} \cdot t_{ON(MIN)}}$$

When operating at V<sub>OUT</sub> > 6V, additional constraints on the switching frequency may also apply. See Operating at V<sub>OUT</sub> > 6V section for more information.

The switching frequency is set using the FREQ and/or PLLIN/MODE pins as shown in Table 1.

Table 1. Frequency Setting

FREQ PIN	PLLIN/MODE PIN	FREQUENCY(F)
SGND	DC Voltage	300kHz
INTV <sub>CC</sub>	DC Voltage	1MHz
R = (f/40 + 7.5k) to SGND	DC Voltage	200kHz to 2MHz
Any of the Above	External Clock	Phase-Locked to External Clock (200kHz to 2MHz)

Tying the FREQ pin to SGND selects 300kHz while tying FREQ to INTV<sub>CC</sub> selects 1MHz. Since the FREQ pin sources 40µA, placing a resistor between FREQ and SGND allows the frequency to be programmed anywhere between 200kHz and 2MHz. Choose a FREQ pin resistor such that:

$$R_{FREQ} = \frac{f}{40} + 7.5k$$

## APPLICATIONS INFORMATION

A phase-locked loop (PLL) is also available on the LT7101 to synchronize the internal oscillator to an external clock source that is connected to the PLLIN/MODE pin. Once synchronized, the turn-on of the top MOSFET is aligned to the rising edge of the synchronizing signal. See Phase-Locked Loop and Frequency Synchronization section for details.

### Setting the Light-Load Operating Mode

The LT7101 can be set to enter high efficiency Burst Mode operation, constant frequency pulse-skipping mode or forced continuous conduction mode at light load currents. To select Burst Mode operation, tie the PLLIN/MODE pin to ground. To select forced continuous operation, tie the PLLIN/MODE pin to INTV<sub>CC</sub>. To select pulse-skipping mode, tie the PLLIN/MODE pin to INTV<sub>CC</sub> through a 100k resistor. When synchronized, the LT7101 operates in forced continuous mode. Table 2 summarizes the use of the PLLIN/MODE pin to select light-load operating mode.

**Table 2. Mode Selection**

PLLIN/MODE PIN	LIGHT-LOAD OPERATING MODE
SGND	Burst Mode Operation
INTV <sub>CC</sub>	Forced Continuous Mode
R = 100k to INTV <sub>CC</sub>	Pulse-Skipping Mode
External Clock	Forced Continuous Mode

In general, the requirements of each application will dictate the appropriate choice for light-load operating mode.

In Burst Mode operation, the inductor current is not allowed to reverse. The reverse current comparator turns off the bottom MOSFET just before the inductor current reaches zero, preventing it from reversing and going negative. Thus, the converter operates in discontinuous operation. In addition, when the average output current falls below approximately 100mA, the inductor current will begin bursting at frequencies lower than the switching frequency, and entering a low current SLEEP mode when not switching. As a result, Burst Mode operation has the highest possible efficiency at light loads.

In forced continuous mode, the inductor current is allowed to reverse at light loads and switches at the same frequency regardless of load. In this mode, the efficiency

at light loads is considerably lower than in Burst Mode operation. However, continuous operation has the advantage of lower output voltage ripple and less interference to audio circuitry. In forced continuous mode, the output ripple is independent of load current.

In pulse-skipping mode, constant frequency operation is maintained down to approximately 1% of designed maximum output current. At very light loads, the PWM comparator may remain tripped for several cycles and force the top MOSFET to stay off for the same number of cycles (i.e., skipping pulses). The inductor current is not allowed to reverse (discontinuous operation). This mode, like forced continuous operation, exhibits low output ripple as well as low audio noise and reduced RF interference as compared to Burst Mode operation. It provides higher low current efficiency than forced continuous mode, but not nearly as high as Burst Mode operation. Consequently, pulse-skipping mode represents a compromise between light load efficiency, output ripple and EMI.

In some applications, it may be desirable to change light-load operating mode based on the conditions present in the system. For example, if a system is inactive, one might select high efficiency Burst Mode operation by keeping the PLLIN/MODE pin set to 0V. When the system wakes, one might send an external clock to PLLIN/MODE to switch to forced continuous mode. Such on-the-fly mode changes can allow an individual application to benefit from the advantages of each light-load operating mode.

### Inductor Value Selection

For a given input and output voltage, the inductor value and operating frequency determine the inductor ripple current. More specifically, the inductor ripple current decreases with higher inductor value or higher operating frequency according to the following equation:

$$\Delta I_L = \left( \frac{V_{OUT}}{f \cdot L} \right) \left( 1 - \frac{V_{OUT}}{V_{IN}} \right)$$

For proper operation, always use an inductor value that is greater than:

$$L_{MIN} > 520nH \cdot V_{OUT}$$

## APPLICATIONS INFORMATION

Note that in applications with  $V_{OUT} > 6V$ , additional constraints on the inductance value may also apply. See Operating at  $V_{OUT} > 6V$  section for more information.

A trade-off between component size, efficiency and operating frequency can be seen from this equation. Accepting larger values of  $\Delta I_L$  allows the use of lower value inductors, but results in greater core loss in the inductor, greater ESR loss in the output capacitor, and larger output ripple. Generally, highest efficiency operation is obtained at low operating frequency with small ripple current.

A reasonable starting point for setting the ripple current is approximately  $0.35A_{P-P}$ . Note that the largest ripple current occurs at the highest  $V_{IN}$ . To guarantee the ripple current does not exceed a specified maximum, the inductance should be chosen according to:

$$L = \left( \frac{V_{OUT}}{f \cdot \Delta I_{L(MAX)}} \right) \left( 1 - \frac{V_{OUT}}{V_{IN(MAX)}} \right)$$

The LT7101 contains a fast, average current limit loop that limits the DC output current to a value determined by the voltage on the  $I_{CTRL}$  pin. (See Average Output Current Limit and Monitor section for details.) However, some applications may experience inductor current transients that are limited by the peak current limit comparator, which tracks nominally 0.53A above the average current limit set point. To avoid saturation, choose an inductor with a saturation current  $I_{SAT}$  such that:

$$I_{SAT} > \frac{V_{I_{CTRL}} - 0.4}{0.77} + 0.68A$$

This enables the use of an inductor with a current rating that fits the needs of a given application. If the average output current limit is set to the default value of 1.11A, then an inductor with  $I_{SAT} > 1.9A$  is required. However, if the average current limit is set to 0.6A ( $V_{I_{CTRL}} = 0.89V$ ), then an inductor with  $I_{SAT} > 1.4A$  may be used. Note that if there is a varying voltage on the  $I_{CTRL}$  pin, always use the highest value present on  $I_{CTRL}$  when calculating the required inductor saturation current. See Average Output Current Limit and Monitor section for details on setting the average current limit.

If fixed  $V_{OUT}$  operation is selected using the  $V_{PRG1}$  and  $V_{PRG2}$  pins, the  $R_{IND}$  pin can be left floating, but only if the inductance value is chosen according to Table 3. Since the  $R_{IND}$  pin resistor indicates the inductance value being used, the LT7101 will automatically assume an inductance value as shown in Table 3 when this pin is left floating. These inductance values will provide an inductor ripple current that is approximately 30% to 40% of the full load current. If the nominal value of the inductance used differs by more than 10% from the values specified in Table 3, a resistor must be placed on the  $R_{IND}$  pin to indicate this value.

**Table 3. Required Inductor Values with  $R_{IND}$  Pin Floating**

FIXED $V_{OUT}$	REQUIRED INDUCTANCE VALUE ( $R_{IND} = \text{FLOAT}$ )		
	f = 300kHz	f = 1MHz	f = ADJ
1.2V	10 $\mu$ H	3.3 $\mu$ H	L = 3.1/f
1.8V	15 $\mu$ H	4.7 $\mu$ H	L = 4.6/f
2.5V	22 $\mu$ H	6.8 $\mu$ H	L = 6.7/f
3.3V	33 $\mu$ H	10 $\mu$ H	L = 9.9/f
3.6V	33 $\mu$ H	10 $\mu$ H	L = 9.9/f
5V	47 $\mu$ H	15 $\mu$ H	L = 14.6/f
12V	100 $\mu$ H	33 $\mu$ H	L = 31.5/f
15V	100 $\mu$ H	33 $\mu$ H	L = 31.5/f

### Inductor Core Selection

Once the value for L is known, the type of inductor must be selected. Actual core loss is independent of core size for a fixed inductor value but is very dependent on the inductance selected. As the inductance increases, core loss decreases. Unfortunately, increased inductance requires more turns of wire leading to increased copper loss.

Ferrite designs exhibit very low core loss and are preferred at high switching frequencies, so design goals can concentrate on copper loss and preventing saturation. Ferrite core materials saturate hard, meaning the inductance collapses abruptly when the peak design current is exceeded. This collapse will result in an abrupt increase in inductor ripple current, so it is important to ensure the core will not saturate.

## APPLICATIONS INFORMATION

### R<sub>IND</sub> Resistor Selection

The resistor on the R<sub>IND</sub> pin is used to indicate to the LT7101 what inductance value is being used. This is required for the internal reconstruction of the inductor current waveform and to set the DC gain of the current loop. Once the inductor value is selected, the R<sub>IND</sub> pin resistor is chosen according to:

$$R_{IND} = \frac{1}{3.3 \cdot L}$$

If fixed V<sub>OUT</sub> operation is selected using the V<sub>PRG1</sub> and V<sub>PRG2</sub> pins, the R<sub>IND</sub> pin can be left floating, but only if the inductance value is chosen according to Table 3. Do not leave the R<sub>IND</sub> pin floating when adjustable V<sub>OUT</sub> mode is selected. If the R<sub>IND</sub> pin is left floating and adjustable V<sub>OUT</sub> mode selected (V<sub>PRG1</sub> and V<sub>PRG2</sub> are both floating), the LT7101 will detect this as a fault condition and will not operate.

The allowable current range on the R<sub>IND</sub> pin is between 8μA and 220μA, which means that:

$$2.5 \leq f \cdot L \leq 67$$

In practice, the above constraint does not normally affect the choice of inductor value.

### C<sub>IN</sub> Selection

The input capacitance, C<sub>IN</sub>, is needed to filter the trapezoidal current at the drain of the top power MOSFET. C<sub>IN</sub> should be sized to do this without causing a large variation in input voltage. In addition, the input capacitor needs to have a very low ESR and must be rated to handle the worst-case RMS input current of:

$$I_{RMS} = \frac{I_{OUT(MAX)}}{2}$$

Note that capacitor manufacturers' ripple current ratings are often based on only 2000 hours of life. This makes it advisable to further derate the capacitor, or to choose a capacitor rated at a higher temperature than required. Several capacitors may be paralleled to meet size or height requirements in the design. Due to the high operating frequency of the LT7101, ceramic capacitors can also be

used for C<sub>IN</sub>. In many applications, an X7R capacitor of 4.7μF or greater is a suitable choice. Always consult the manufacturer if there is any question.

The input capacitor, C<sub>IN</sub>, should be placed as close as possible to the V<sub>IN</sub> pins, with a low inductance connection to the PGND (paddle) of the IC. In addition to a larger bulk capacitor, a smaller case-size (0603 or 0805) ceramic decoupling capacitor can be placed closer to the V<sub>IN</sub> pins to reduce EMI.

### Using an LC Input Filter

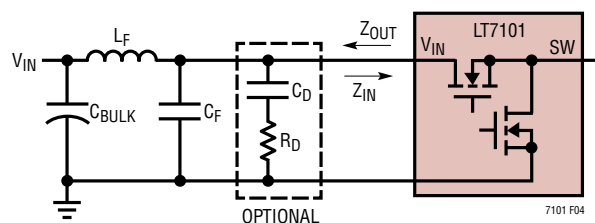


Figure 4. Input Filter with Optional Damping Network

For high voltage applications, it can be costly to use bulk capacitance that is rated to handle the required RMS input current. Moreover, when using a simple capacitor to filter the AC input current, it is difficult to determine exactly where this AC current is flowing when a power supply is placed into a larger system. To avoid these issues, an LC filter can be used on the power supply input as shown in Figure 4. This keeps the higher AC currents contained in a relatively small and inexpensive capacitor (C<sub>F</sub>) whose RMS current rating is known to be adequate. Choose an LC filter such that:

$$\frac{1}{2\pi\sqrt{L_F C_F}} < \frac{f}{5}$$

where f is the switching frequency. This will attenuate the RMS input current by a factor of approximately 5X, greatly alleviating the RMS input requirements of the larger bulk capacitor C<sub>BULK</sub>. The filter inductor L<sub>F</sub> should have a saturation current of at least:

$$I_{SAT(LF)} \geq 1.3 \cdot \frac{V_{OUT} I_{OUT(MAX)}}{V_{IN(MIN)}}$$

## APPLICATIONS INFORMATION

In order to keep the ripple voltage at the filter output to a reasonable level, choose a value of  $L_F$  and  $C_F$  that also satisfies:

$$\sqrt{\frac{L_F}{C_F}} < 2.9 \cdot \left( \frac{V_{RIPPLE}}{I_{OUT(MAX)}} + \frac{R_{ESR}}{2} \right)$$

where  $V_{RIPPLE}$  is the desired ripple voltage at the output of the input filter and  $R_{ESR}$  is the ESR of capacitor  $C_F$ . A reasonable target for  $V_{RIPPLE}$  is 3% of nominal  $V_{IN}$ .

When using an LC input filter, the output impedance of the LC filter ( $Z_{OUT}$ ) must never be greater in magnitude than the input impedance looking into the power stage of the DC/DC converter ( $Z_{IN}$ ). This is necessary to avoid ringing and possible voltage loop instability. In many applications, this condition is naturally satisfied because the ESR of the bulk input capacitance  $C_{BULK}$  is high enough to lower the Q of the LC input filter. In some situations, a series damping network must be added as shown in Figure 4. In order to provide critical damping, choose  $C_D$  and  $R_D$  according to:

$$C_D \approx 4 \cdot C_F$$

$$R_D = \sqrt{\frac{L_F}{C_F}}$$

### C<sub>OUT</sub> Selection

The selection of  $C_{OUT}$  is driven by the effective series resistance (ESR). Typically, once the ESR requirement is satisfied, the capacitance is adequate for filtering. The output ripple ( $\Delta V_{OUT}$ ) is approximated by:

$$\Delta V_{OUT} \approx \Delta I_L \left( ESR + \frac{1}{8 \cdot f \cdot C_{OUT}} \right)$$

where  $f$  is the operating frequency,  $C_{OUT}$  is the output capacitance and  $\Delta I_L$  is the ripple current in the inductor. The output ripple is highest at maximum input voltage since  $\Delta I_L$  increases with input voltage.

If internal voltage loop compensation is selected, than a minimum amount of bulk output capacitance is required to

ensure stability. Loop stability can be checked by viewing the load transient response. See Internal/External Loop Compensation in the Applications Information section.

### Using Ceramic Input and Output Capacitors

Higher value, lower cost ceramic capacitors are now available in small case sizes. Their high voltage rating and low ESR make them ideal for switching regulator applications. However, due to the self-resonant and high-Q characteristics of some types of ceramic capacitors, care must be taken when these capacitors are used at the input and output. When a ceramic capacitor is used at the input, and the power is supplied by a wall adapter through long wires, a load step at the output can induce ringing at the  $V_{IN}$  input. At best, this ringing can couple to the output and be mistaken as loop instability. At worst, a sudden inrush of current through the long wires can potentially cause a voltage spike at  $V_{IN}$  large enough to damage the part. For a more detailed discussion, refer to Application Note 88.

When choosing the input and output ceramic capacitors select the X5R or X7R dielectric formulations. These dielectrics provide the best temperature and voltage characteristics for a given value and size. In addition, be careful to consider the voltage coefficient of ceramic capacitors when choosing the value and case size. Most ceramic capacitors lose 50% or more of their rated value when used near their rated voltage.

### INTV<sub>CC</sub> Regulators

The LT7101 features two separate internal low dropout linear regulators (LDO) that supply power at the INTV<sub>CC</sub> pin from either the  $V_{IN}$  pin or the EXT<sub>VCC</sub> pin depending on the EXT<sub>VCC</sub> pin voltage available. INTV<sub>CC</sub> powers the internal MOSFET gates and most of the internal circuitry. The  $V_{IN}$  LDO and the EXT<sub>VCC</sub> LDO each regulate INTV<sub>CC</sub> to 3.5V.

The INTV<sub>CC</sub> pin must be bypassed to ground with a minimum of 1 $\mu$ F ceramic capacitor, placed as close as possible to the INTV<sub>CC</sub> pin. In order to minimize noise and ripple on the INTV<sub>CC</sub> supply, always use a capacitor  $C_{VCC}$  on

## APPLICATIONS INFORMATION

INTV<sub>CC</sub> that is at least 10x greater than the capacitor C<sub>BST</sub> from BOOST to SW:

$$C_{VCC} > 10 \cdot C_{BST}$$

Be careful to account for the voltage coefficient of ceramic capacitors when choosing the value and case size. Many ceramic capacitors lose 50% or more of their rated value when used near their rated voltage.

For high V<sub>IN</sub> applications it is advantageous to tie EXTV<sub>CC</sub> to V<sub>OUT</sub> (bootstrapping), as this will improve efficiency and reduce power dissipation in the V<sub>IN</sub> LDO. This can be done with any V<sub>OUT</sub> voltage between 3.3V and 40V. Alternatively, the EXTV<sub>CC</sub> pin can be tied to any DC voltage between 3.3V and 40V that is capable of delivering the required INTV<sub>CC</sub> bias current, which varies with switching frequency and operating mode. At full-load operation, which is the worst case, the INTV<sub>CC</sub> bias current is given approximately by:

$$I_{INTVCC} = 3.5\text{mA} + 1\text{nC} \left( 4 + \frac{V_{IN}}{31} \right) \cdot f$$

When EXTV<sub>CC</sub> is not present, the LDO timeout feature limits the junction temperature rise due to the V<sub>IN</sub> LDO power dissipation. See Soft-Start and LDO Regulator Timeout section for more information.

The following list summarizes the four possible connections for EXTV<sub>CC</sub>:

1. EXTV<sub>CC</sub> left open (or grounded). This will cause INTV<sub>CC</sub> to be powered from the V<sub>IN</sub> LDO resulting in an efficiency penalty at high input voltages.
2. EXTV<sub>CC</sub> connected directly to the output voltage V<sub>OUT</sub>. This is the normal connection for a 3.3V to 40V regulator and provides the highest efficiency.
3. EXTV<sub>CC</sub> connected to an external supply. If an external supply is available in the 3.3V to 40V range, it may be used to power EXTV<sub>CC</sub> providing it can supply the required INTV<sub>CC</sub> current. Operating with EXTV<sub>CC</sub> > V<sub>IN</sub> is allowed.
4. EXTV<sub>CC</sub> connected to an output-derived boost or charge-pump network. For 2.5V and other low voltage buck regulators, efficiency gains can still be realized by connecting EXTV<sub>CC</sub> to an output-derived voltage that has been boosted to greater than 3.05V.

Most applications will simply tie EXTV<sub>CC</sub> to V<sub>OUT</sub> for high efficiency bootstrapping. In this configuration, with Burst Mode operation selected, the no-load V<sub>IN</sub> current in regulation can be calculated using:

$$I_{VIN} = 1\mu\text{A} + \frac{V_{OUT}}{0.8 \cdot V_{IN}} \cdot \left( \frac{V_{OUT}}{R_D} + \frac{V_{OUT}}{6\text{M}\Omega} + 8\mu\text{A} \right)$$

where R<sub>D</sub> is the total resistance of the feedback resistive divider from V<sub>OUT</sub> to GND. In fixed output voltage mode, where V<sub>OUT</sub> is programmed using V<sub>PRG1</sub> and V<sub>PRG2</sub>, use R<sub>D</sub> = V<sub>OUT</sub>/1.25μA. For adjustable V<sub>OUT</sub> mode (Figure 5), use R<sub>D</sub> = R1 + R2.

### Topside MOSFET Driver Supply (C<sub>BST</sub>)

The boost capacitor, C<sub>BST</sub>, on the Functional Diagram is used to create a voltage rail above the applied input voltage, V<sub>IN</sub>. Specifically, the boost capacitor is charged through an internal MOSFET switch to a voltage equal to approximately INTV<sub>CC</sub> each time the bottom power MOSFET is turned on. The charge on this capacitor is then used to supply the required current during the remainder of the switching cycle. When the top MOSFET is turned on, the BOOST pin voltage will be equal to approximately V<sub>IN</sub> + 3.5V. For most applications a 0.1μF, X7R ceramic capacitor will provide adequate performance.

The LT7101 also contains an internal charge pump that supplies a small amount of current to the BOOST pin to allow for continuous operation at 100% duty cycle. This charge pump is adequate to support internal biasing needs and to keep the top MOSFET fully enhanced. Note that the total external leakage on the BOOST pin (including the C<sub>BST</sub> capacitor leakage) must be less than 4μA to ensure continuous operation at 100% duty cycle.

## APPLICATIONS INFORMATION

### Output Voltage Programming

The  $V_{PRG1}$  and  $V_{PRG2}$  pins provide a great deal of flexibility in programming the output voltage of the power supply. Floating both pins selects adjustable  $V_{OUT}$  mode. In this mode, the output is programmed using external resistors on the  $V_{FB}$  pin as shown in Figure 5. The regulated output voltage is determined by:

$$V_{OUT} = 1V \left( 1 + \frac{R1}{R2} \right)$$

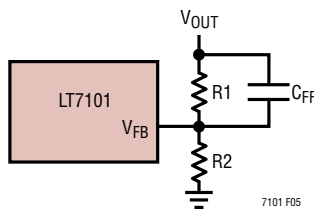


Figure 5. Setting the Output Voltage

Place resistors R1 and R2 very close to the  $V_{FB}$  pin to minimize PCB trace length and noise. Great care should be taken to route the  $V_{FB}$  trace away from noise sources, such as the inductor or the SW trace. To improve frequency response, a feedforward capacitor ( $C_{FF}$ ) may be used.

If either  $V_{PRG1}$  or  $V_{PRG2}$  is tied to SGND or  $INTV_{CC}$ , then fixed output voltage mode is selected. In this mode, precision internal resistor dividers are used to program the output voltage to one of eight fixed voltage levels as shown in Table 4.

Table 4. Output Voltage Programming

$V_{PRG1}$	$V_{PRG2}$	$V_{OUT}$
$INTV_{CC}$	$INTV_{CC}$	1.2V
OPEN	$INTV_{CC}$	1.8V
SGND	SGND	2.5V
SGND	OPEN	3.3V
SGND	$INTV_{CC}$	3.6V
OPEN	SGND	5V
$INTV_{CC}$	OPEN	12V
$INTV_{CC}$	SGND	15V
OPEN	OPEN	Adjustable 1V to $V_{IN}$

To avoid excessively large values of R1 in high output voltage applications ( $V_{OUT} \geq 15V$ ), a combination of external and internal resistors can be used to set the output voltage. Figure 6 shows the LT7101 with the  $V_{FB}$  pin configured for a 15V fixed output with an external divider to generate a higher output voltage. The internal 12M resistance appears in parallel with R2, and the value of R2 must be adjusted accordingly. R2 should be chosen to be less than 400k to keep the output voltage variation less than 1% due to the tolerance of the LT7101's internal resistor.

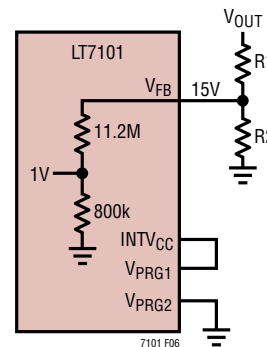


Figure 6. Setting the Output Voltage with External and Internal Resistors

### RUN Pin and Overvoltage/Undervoltage Lockout

The LT7101 has a low power shutdown mode controlled by the RUN pin. Pulling the RUN pin below 0.7V puts the LT7101 into a low quiescent current shutdown mode ( $I_Q = 0.7\mu A$ ). When the RUN pin is greater than  $V_{RUN(ON)} = 1.21V$ , switching is enabled. Figure 7 shows examples of configurations for driving the RUN pin from logic. Note that the RUN pin can only be directly controlled as shown in Figure 7 for applications with  $V_{OUT} \leq 6V$ . See Operating at  $V_{OUT} > 6V$  section for more information.

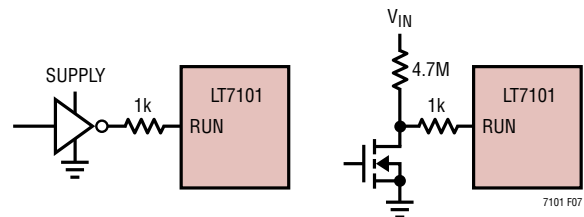


Figure 7. RUN Pin Interface to Logic



## APPLICATIONS INFORMATION

The RUN and OVLO pins can alternatively be configured as precise undervoltage (UVLO) and overvoltage (OVLO) lockouts on the  $V_{IN}$  supply with a resistor divider from  $V_{IN}$  to ground. A simple resistor divider can be used as shown in Figure 8 to meet specific  $V_{IN}$  voltage requirements. For applications with  $V_{OUT} > 6V$  that require direct RUN pin control, an open-drain pull-down must be used as shown in Figure 8. See Operating at  $V_{OUT} > 6V$  section for more information.

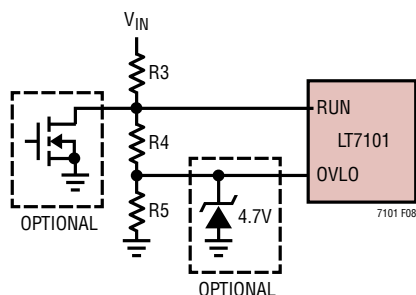


Figure 8. Adjustable UV and OV Lockout

The current that flows through the R3-R4-R5 divider will directly add to the shutdown, sleep, and active current of the LT7101, and care should be taken to minimize the impact of this current on the overall efficiency of the application circuit. Resistor values in the  $M\Omega$  range may be required to keep the impact on quiescent shutdown and sleep currents low. To pick resistor values, the sum total of  $R3 + R4 + R5$  ( $R_{TOTAL}$ ) should be chosen first based on the allowable DC current that can be drawn from  $V_{IN}$ . The individual values of R3, R4 and R5 can then be calculated from the following equations:

$$R5 = R_{TOTAL} \cdot \frac{1.21V}{\text{RISING } V_{IN} \text{ OVLO THRESHOLD}}$$

$$R4 = R_{TOTAL} \cdot \frac{1.21V}{\text{RISING } V_{IN} \text{ UVLO THRESHOLD}} - R5$$

$$R3 = R_{TOTAL} - R5 - R4$$

For applications that do not need a precise external OVLO, the OVLO pin should be tied directly to ground. The RUN pin in this type of application can be used as an external UVLO using the previous equations with  $R5 = 0\Omega$ .

Similarly, for applications that do not require a precise UVLO, the RUN pin can be tied to  $V_{IN}$ . In this configuration, the UVLO threshold is limited to the internal  $V_{IN}$  UVLO thresholds as shown in the Electrical Characteristics table. The resistor values for the OVLO can be computed using the previous equations with  $R3 = 0\Omega$ . Be aware that the OVLO pin cannot be allowed to exceed its absolute maximum rating of 6V. To keep the voltage on the OVLO pin from exceeding 6V, the following relation should be satisfied:

$$V_{IN(MAX)} \cdot \left( \frac{R5}{R3 + R4 + R5} \right) < 6V$$

If this equation cannot be satisfied in the application, connect a 4.7V Zener diode between the OVLO pin and ground to clamp the OVLO pin voltage as shown in Figure 8.

Note that in applications with  $V_{OUT} > 6V$ , additional constraints on the use of the RUN pin also apply. See Operating at  $V_{OUT} > 6V$  section for more information.

### Soft-Start and LDO Regulator Timeout

An internal soft-start ramp of 1.2ms will limit the ramp rate of the output voltage to prevent excessive input current during start-up. If a longer ramp time is desired, a capacitor can be placed from the SS pin to ground. The value of the soft-start capacitor needed to provide a desired soft-start time ( $t_{SS}$ ) can be calculated by:

$$C_{SS} = t_{SS} \cdot 10\mu A$$

Note that the value of  $C_{SS}$  must be greater than 12nF to provide a soft-start time that is greater than the internal default of  $t_{SS(INT)} = 1.2ms$ .

The LT7101 also includes an LDO regulator timeout feature that is essential for limiting die temperature rise due to power dissipation in the  $V_{IN}$  LDO. This is useful in high  $V_{IN}$  applications, where  $EXTV_{CC}$  is tied to  $V_{OUT}$ , and  $V_{OUT}$  gets shorted to ground. When this occurs, the  $V_{IN}$  LDO will take over the  $INTV_{CC}$  current, resulting in potentially high power dissipation ( $>1W$ ) in the  $V_{IN}$  LDO pass device. If this condition persists, an LDO timeout occurs, disabling the switching of the top and bottom MOSFETs. Once switching is disabled, the  $INTV_{CC}$  bias

## APPLICATIONS INFORMATION

current is reduced to approximately 4mA, thereby lowering the power dissipation in the LDO. After a long restart delay, a soft-start is again initiated.

The LDO regulator timeout and restart time are dependent on the length of the soft-start time selected,  $t_{SS}$ , which is either the default of 1.2ms or set externally. After the soft-start is complete, a timeout will occur if  $EXTV_{CC} < 3V$  for a time given by:

$$t_{TIMEOUT} = 1.4 \cdot t_{SS}$$

At this point, switching will stop, and a restart delay timer will be activated. A restart will occur after a delay given by:

$$t_{RESTART} = 46 \cdot t_{SS}$$

As long as this condition persists ( $EXTV_{CC} < 3V$ ), the LT7101 will continue operating in a hiccup restart mode. This yields an effective duty cycle of power dissipation in the  $V_{IN}$  LDO of approximately 2%, which prevents any significant rise in die temperature. Note, however, that the LDO regulator timeout feature precludes operation in constant output current mode in applications where  $EXTV_{CC}$  is tied to  $V_{OUT}$ , and  $V_{OUT} < 3V$ .

If the LDO regulator timeout feature is not needed, the SS pin can be tied to  $INTV_{CC}$  through a 75k resistor. This will prevent the LDO timeout from occurring, allowing continuous operation even with  $EXTV_{CC} = 0V$ . The addition of this resistor also affects the soft-start time when an external capacitor is used (the internal 1.2ms soft-start is not affected). With SS tied to  $INTV_{CC}$  through 75k, the value of the soft-start capacitor needed to provide a desired soft-start time ( $t_{SS}$ ) can be calculated by:

$$C_{SS(75k)} = t_{SS} \cdot 51\mu A$$

If the LDO regulator timeout feature is defeated, care must be taken to avoid exceeding the maximum junction temperature. See Thermal Considerations for more information.

### Phase-Locked Loop and Frequency Synchronization

The LT7101 contains a phase-locked loop (PLL) to synchronize the internal oscillator to an external clock source that is connected to the PLLIN/MODE pin. Once synchronized, the turn-on of the top MOSFET is aligned to the rising edge of the synchronizing signal.

The typical capture range of the PLL is from 160kHz to 2.3MHz, with a guarantee over all manufacturing variations to be between 200kHz and 2MHz. The typical input clock thresholds on the PLLIN/MODE pin are 1.5V rising and 1.1V falling, and this input is TTL compatible.

Rapid phase-locking can be achieved by using the FREQ pin to set a free-running frequency near the desired synchronization frequency. Before synchronization, the VCO's filter voltage is prebiased to a level that corresponds to the frequency set by the FREQ pin. Consequently, the PLL only needs to make minor adjustments to achieve phase-lock and synchronization. Although it is not required that the free-running frequency be near external clock frequency, doing so will prevent the operating frequency from passing through a large range of frequencies as the PLL locks.

After the PLL has locked to an external clock, if the external clock is stopped, the LT7101 will immediately detect this condition and momentarily prevent the PLL from adjusting the loop, so that the internal oscillator continues operating at the external clock frequency. After approximately 9 $\mu$ s, the LT7101 will detect a loss of SYNC, and the oscillator frequency will return to the level set by the FREQ pin. This feature enables smooth transitions into and out of synchronization.

The CLKOUT pin supplies a reference clock that is helpful for synchronizing other switching circuits to the LT7101 switching frequency. The output high level of this signal is equal to  $INTV_{CC}$  (3.5V typical), and the rising edge of the CLKOUT signal is 180° out of phase with respect to the top MOSFET turn-on. This makes it easy to synchronize two LT7101 converters and operate them out of phase to minimize input current, or to use two LT7101's together for a higher current, 2-Phase converter. See 2-Phase Operation Section.

### Minimum On-Time Considerations

Minimum on-time  $t_{ON(MIN)}$  is the smallest time duration that the LT7101 is capable of turning on the top MOSFET. It is determined by internal timing delays. Low duty cycle applications may approach this minimum on-time limit and care should be taken to avoid this by operating at a sufficiently low switching frequency. See Setting the Operating Frequency section.

## APPLICATIONS INFORMATION

If the duty cycle does fall below what can be accommodated by the minimum on-time, the LT7101 will begin to skip cycles, regardless of the mode of operation (burst pulse-skipping or forced continuous modes). The output voltage will continue to be regulated, but the ripple voltage and current will increase.

The minimum on-time for the LT7101 is approximately 40ns. If the duty cycle drops below the minimum on-time limit in this situation, cycle skipping can occur with correspondingly larger current and voltage ripple.

### Operating at $V_{OUT} > 6V$

The LT7101 contains circuitry to automatically charge the boost supply for the topside MOSFET driver by activating the bottom MOSFET for short periods of time when necessary. This feature ensures the boost supply is always charged and ready under all operating conditions. When starting up or operating near dropout ( $V_{IN} \approx V_{OUT}$ ) and with  $V_{OUT} > 6V$ , however, care must be taken to avoid the accumulation of negative inductor current that can arise from the automatic boost charging circuitry.

There are two optional configurations allowable for applications with  $V_{OUT} > 6V$ .

**Option 1: 100% Duty Cycle Allowed.** Use this option when operation at or near 100% duty cycle is required or if RUN pin control is not needed. For this option, the RUN pin must be tied to the  $V_{IN}$  pin directly and operation at higher switching frequencies is prohibited. The switching frequency set point must be limited to a maximum value of

$$f \leq 550\text{kHz}$$

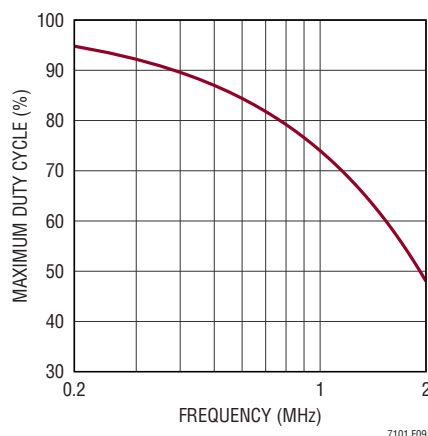
and the inductance value must be a minimum of

$$L \geq 4.5\mu\text{H} \cdot (V_{OUT} - 3) - 10\mu\text{H}$$

**Option 2: High Switching Frequency Allowed.** Use this option when either high switching frequency or RUN pin control is needed. In this case, operation near drop-out is prohibited and a RUN pin divider is required to set the minimum operating input voltage to a value of:

$$V_{IN,MIN} \geq \frac{V_{OUT}}{1 - f \cdot 260\text{ns}}$$

As shown in Figure 9, this constraint on minimum operating input voltage establishes a maximum allowable duty cycle that varies with switching frequency. Note that the minimum operating input voltage can be set to any voltage higher than the value for  $V_{IN,MIN}$  given above.



**Figure 9. Maximum Allowable Duty Cycle vs Frequency for  $V_{OUT} > 6V$  and Option 2 Configuration**

When selecting the resistors for the RUN pin divider to limit the minimum operating  $V_{IN}$  voltage, use the RUN pin falling threshold minimum value of 1.06V. This ensures that the LT7101 will not operate below the minimum operating input voltage requirement given in Option 2 above. Referring to Figure 8, calculate the RUN pin divider resistors as:

$$R4 = R_{TOTAL} \cdot \frac{1.06V}{V_{IN,MIN}}$$

$$R3 = R_{TOTAL} - R4 - R5$$

The rising  $V_{IN}$  voltage at which the LT7101 will begin switching is determined by the rising RUN pin threshold of 1.21V (1.26V maximum). The typical rising  $V_{IN}$  turn-on voltage is therefore:

$$V_{IN(ON,TYP)} = 1.14 \cdot V_{IN,MIN}$$

Note that for direct RUN pin control in all applications with  $V_{OUT} > 6V$ , an open-drain pull-down must be used in conjunction with a RUN pin divider as shown in Figure 8.

Since Option 2 allows for higher switching frequency and smaller size inductors, this option is preferred for

## APPLICATIONS INFORMATION

applications with  $V_{OUT} \geq 16V$  or where space is limited, provided that high duty cycle operation is not required. Option 1 is a better choice for applications with  $6V < V_{OUT} < 16V$  or whenever high duty cycle operation is required, provided that RUN pin control is not needed.

### Internal/External Loop Compensation

The LT7101 provides the option to use a fixed internal loop compensation network to reduce both the required external component count and design time. The internal loop compensation network can be selected by connecting the  $I_{TH}$  pin to the  $INTV_{CC}$  pin. Internal compensation can be used at any switching frequency from 200kHz to 2MHz. The LT7101 automatically adjusts the internal compensation based on switching frequency to maintain an optimum transient response. When using internal compensation, a reasonable starting point for the minimum amount of output capacitance necessary for stability can be found as the greater of either  $4.7\mu F$  or  $C_{OUT}$  defined by the equation:

$$C_{OUT} \approx \frac{40}{f \cdot V_{OUT}}$$

where  $C_{OUT}$  is the capacitance value at voltage  $V_{OUT}$ , noting that most ceramic capacitors lose 50% or more of their rated value when used at their rated voltage.

Alternatively, the user may choose specific external loop compensation components to optimize the main control loop transient response as desired. External loop compensation is chosen by simply connecting the desired network to the  $I_{TH}$  pin.

Typical compensation component values are shown in Figure 10. For a 500kHz application, for example, an R-C ( $R_{COMP}$  and  $C_{COMP}$  in Figure 10) network of 2.2nF and 10k $\Omega$  provides a good starting point. The bandwidth of the loop increases with decreasing C. If R is increased by the same factor that C is decreased, the zero frequency will be kept the same, thereby keeping the phase the same in the most critical frequency range of the feedback loop. A 10pF bypass capacitor ( $C_{BYP}$  in Figure 10) on the  $I_{TH}$

pin can be used to filter out high frequency coupling from stray board capacitance. In addition, a feedforward capacitor,  $C_{FF}$  can be added to improve the high frequency response, as previously shown in Figure 5. Capacitor  $C_{FF}$  provides phase lead by creating a high frequency zero with R1 which improves the phase margin.

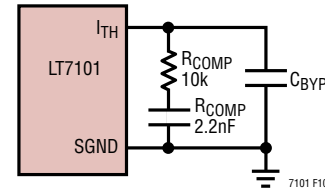


Figure 10. Compensation Components

### Checking the Transient Response

The regulator loop response can be checked by observing the response of the system to a load step. When configured for external compensation, the availability of the  $I_{TH}$  pin not only allows optimization of the control loop behavior but also provides a DC-coupled and AC-filtered closed-loop response test point. The DC step, rise time, and settling behavior at this test point reflect the system's closed loop response. Assuming a predominantly second order system, the phase margin and/or damping factor can be estimated by observing the percentage of overshoot seen at this pin with a high impedance, low capacitance probe.

The  $I_{TH}$  external components shown in Figure 10 will provide an adequate starting point for most applications. The series R-C filter sets the pole-zero loop compensation. The values can be modified to optimize transient response once the final PC layout is done and the particular output capacitor type and value have been determined. The specific output capacitors must be selected because their various types and values determine the loop feedback factor, gain, and phase. An output current pulse of 20% to 100% of full load current, with a rise time of 1 $\mu s$  to 10 $\mu s$ , will produce output voltage and  $I_{TH}$  pin waveforms that will give a sense of the overall loop stability without breaking the feedback loop.

## APPLICATIONS INFORMATION

When observing the response of  $V_{OUT}$  to a load step, the initial output voltage step may not be within the bandwidth of the feedback loop. As a result, the standard second order overshoot/DC ratio cannot be used to estimate phase margin. The output voltage settling behavior is related to the stability of the closed-loop system and will demonstrate the actual overall supply performance. For a detailed explanation of optimizing the compensation components, including a review of control loop theory, refer to Analog Devices Application Note 76.

In some applications, severe transients can be caused by switching in loads with large ( $>1\mu\text{F}$ ) supply bypass capacitors. The discharged input capacitors are effectively put in parallel with  $C_{OUT}$ , causing a rapid drop in  $V_{OUT}$ . No regulator can deliver enough current to prevent this output droop if the switch connecting the load has low resistance and is driven quickly. The solution is to limit the turn-on speed of the load switch driver. A Hot Swap™ controller is designed specifically for this purpose and usually incorporates current limit, short-circuit protection and soft-start functions.

### Average Output Current Limit and Monitor

The LT7101 contains a fast and accurate average current limit that can be externally controlled and monitored. This fast current loop is useful in applications such as the charging of batteries and capacitors or current programming in LEDs and laser diodes. The average output current limit is set using the  $I_{CTRL}$  pin. The voltage on the  $I_{CTRL}$  pin sets the average output current limit according to:

$$I_{LIM(AVG)} = \frac{V_{I_{CTRL}} - 0.4}{0.811}$$

This allows for the average current limit to be set anywhere between 0A and 1.11A by adjusting the  $I_{CTRL}$  voltage from 0.4V to 1.3V. If the  $I_{CTRL}$  voltage is less than 0.4V, it will be internally limited to 0.4V, so that the average output current cannot be set to a negative value. Likewise, the  $I_{CTRL}$  voltage is internally limited to 1.3V if the  $I_{CTRL}$  pin is floated or tied to a voltage greater than 1.3V.

An internal  $20\mu\text{A}$  pull-up on this pin allows a single resistor to SGND to be used to set the voltage. To program a particular fixed average output current limit  $I_{LIM(AVG)}$ , chose a resistor according to:

$$R_{I_{CTRL}} = \frac{0.811 \cdot I_{LIM(AVG)} + 0.4}{20\mu\text{A}}$$

Since the LT7101 uses average current mode control with a high speed inner current loop, there are no stability concerns when operating in constant current mode. In addition, the LT7101 automatically optimizes the current loop based on switching frequency and operating condition. The unity-gain bandwidth of the average current loop is maintained at approximately 1/3 of the switching frequency. This enables the LT7101 to respond to changes in the  $I_{TH}$  pin voltage on a nearly cycle-by-cycle basis. This is orders of magnitude faster than competing solutions, where a slow, average current loop is placed outside of the voltage regulation loop.

When operating in constant current mode with a low voltage on  $I_{CTRL}$ , the inductor current will become discontinuous. In this situation, the LT7101 average current loop maintains good output current programming accuracy down to no load.

The average output current can be monitored at the  $I_{MON}$  pin. This pin generates a voltage that represents a filtered version ( $f_C = 10\text{kHz}$ ) of the internally sensed inductor current. The DC voltage on  $I_{MON}$  normally varies between 0.4V and 1.3V, corresponding to an average output current between 0A and 1.11A according to:

$$V_{I_{MON}} = 0.811 \cdot I_{OUT(AVG)} + 0.4$$

The  $I_{MON}$  voltage may momentarily be less than 0.4V or greater than 1.3V, but eventually is limited to these levels by the average current loop. During SLEEP, this pin is held at 0.4V. To ensure stability of the internal  $I_{MON}$  buffer, place a 2k or higher resistor in series with any capacitive load that is greater than 100pF.

## APPLICATIONS INFORMATION

### 2-Phase Operation

The LT7101 supports parallel operation in order to produce a higher output current. 2-Phase operation is easily implemented as shown in Figure 11. In this figure, the upper LT7101 operates as the master, and handles voltage regulation. The lower (slave) LT7101 operates as a current source, the value of which is determined by the demand of the average current loop of the master. The slave is synchronized 180° out of phase with respect to the master, dramatically reducing input current ripple. Tying the SS pins together insures that the both parts start up and shut down together. Tying the V<sub>FB</sub> pin of the slave to INTV<sub>CC</sub> while floating V<sub>PRG1</sub> and V<sub>PRG2</sub> activates slave mode. This disables the 20μA pull-up current on the I<sub>CTRL</sub> pin and causes the I<sub>TH</sub> voltage of the slave to track with the I<sub>CTRL</sub> pin voltage. When operating in slave mode, a resistor on the R<sub>IND</sub> pin is always required to indicate the inductor value being used. Place a 10pF cap from I<sub>TH</sub> to GND on the slave to eliminate any high frequency noise.

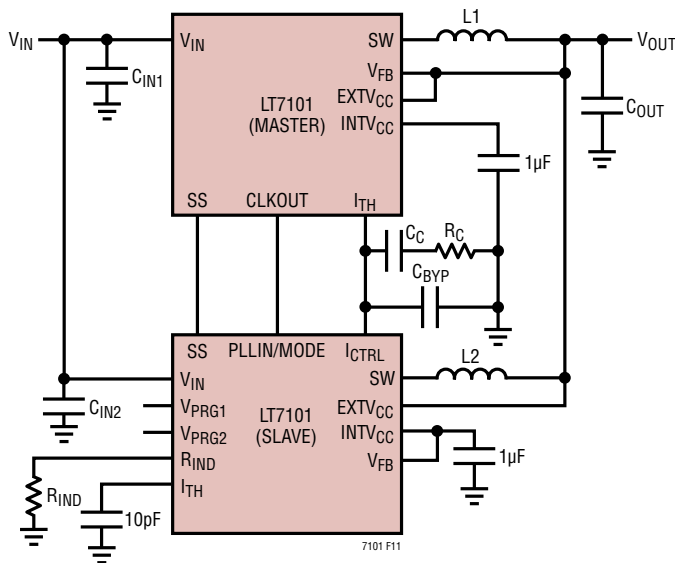


Figure 11. Connections for 2-Phase Operation

### Efficiency Considerations

The percent efficiency of a switching regulator is equal to the output power divided by the input power times 100%. It is often useful to analyze individual losses to determine what is limiting the efficiency and which change would

produce the most improvement. Percent efficiency can be expressed as:

$$\% \text{ Efficiency} = 100\% - (L1 + L2 + L3 + \dots)$$

where L1, L2, etc. are the individual loss terms as a percentage of input power.

Although all dissipative elements in the circuit produce losses, three main sources account for the majority of the losses in the LT7101: 1) I<sup>2</sup>R loss, 2) INTV<sub>CC</sub> regulator current, 3) transition losses and other system losses.

1. I<sup>2</sup>R loss is calculated from the DC resistance of the internal switches, R<sub>SW</sub>, and external inductor, R<sub>L</sub>. In continuous current mode, the average output current will flow through inductor L but is chopped between the internal top and bottom power MOSFETs. Thus, the series resistance looking into the SW pin is a function of both the top and bottom MOSFET's R<sub>DS(ON)</sub> and the duty cycle (DC) as follows:

$$R_{SW} = (R_{DS(ON)TOP} \cdot DC) + (R_{DS(ON)BOT} \cdot (1 - DC))$$

The R<sub>DS(ON)</sub> for both the top and bottom MOSFETs can be obtained from the Typical Performance Characteristics curves. Thus to obtain I<sup>2</sup>R loss:

$$I^2R \text{ Loss} = I_{OUT}^2 \cdot (R_{SW} + R_L)$$

2. The internal LDO supplies the power to the INTV<sub>CC</sub> rail. The total power loss here is the sum of the gate drive losses and quiescent current losses from the control circuitry. Each time a power MOSFET gate is switched from low to high to low again, a packet of charge, dQ, moves from V<sub>IN</sub> to ground. The resulting dQ/dt is a current out of INTV<sub>CC</sub> that is typically much larger than the DC control bias current. In continuous current mode, I<sub>GATECHG</sub> = f(Q<sub>T</sub> + Q<sub>B</sub>), where Q<sub>T</sub> and Q<sub>B</sub> are the gate charges of the internal top and bottom power MOSFETs and f is the switching frequency. For estimation purposes, (Q<sub>T</sub> + Q<sub>B</sub>) on the LT7101 is approximately 4nC, although it varies with V<sub>IN</sub> voltage. To calculate the total power loss from the LDO load, simply add the gate charge current and quiescent current and multiply by voltage:

$$P_{LDO} = \left[ 3.5\text{mA} + 1\text{nC} \left( 4 + \frac{V_{IN}}{31} \right) \cdot f \right] \cdot V_X$$

## APPLICATIONS INFORMATION

where  $V_X = V_{IN}$  if the  $V_{IN}$  LDO is active or  $V_X = EXT_{V_{CC}}$  if the  $EXT_{V_{CC}}$  LDO is active. Supplying  $INT_{V_{CC}}$  from an output-derived power source through  $EXT_{V_{CC}}$  will scale the  $V_{IN}$  current required for the gate drive and control circuits by a factor of (duty cycle)/(efficiency). For example, in a 48V to 5V application, 10mA of  $INT_{V_{CC}}$  current results in approximately 1.2mA of  $V_{IN}$  current. This reduces the mid-current loss from 10% or more to less than 2%.

- Transition losses apply only to the top MOSFET, and can become significant when operating at high input voltages (typically 40V or greater) and high frequency. Transition losses can be estimated from:

$$\text{Transition Loss} = (47\text{pF}) \cdot (V_{IN} + 13)^2 \cdot (I_{OUT} + 1.3) \cdot f$$

Other hidden losses such as copper trace resistances, and internal battery resistances can account for additional efficiency degradations in the overall power system. Other losses, including diode conduction losses during dead time and inductor core losses, generally account for less than 2% total additional loss.

### Fault Conditions: Short-Circuit Protection

The architecture of the LT7101 provides inherent protection against short-circuit conditions, without the need for folding back either the output current or the oscillator frequency. A given switching cycle is skipped only as needed to satisfy the high-speed average current loop, resulting in a brick-wall style current limit without any foldback or hiccups in the operation down to  $V_{OUT} = 0V$ . Note, however, that hiccup restart will occur due to the LDO timeout feature unless  $EXT_{V_{CC}} > 3V$ , or this feature is disabled by tying the SS pin to  $INT_{V_{CC}}$  through a 75k resistor.

While the average current loop is extremely fast, a failsafe peak current limit ( $I_{PK}$ ) comparator has also been incorporated to ensure that the inductor cannot exceed a safe level, even momentarily. In practice, the peak current limit comparator is only needed when there is an abnormal voltage on the average current amplifier output filter and a short-circuit is applied. In this case, the peak current limit comparator may be needed for a few cycles while the average current amplifier filter settles.

### Fault Conditions: Overtemperature Protection

At higher temperatures, or in cases where the internal power dissipation causes excessive self-heating on chip, the overtemperature shutdown circuitry will shut down the LT7101. When the junction temperature exceeds approximately 171°C, the overtemperature circuitry disables all switching to eliminate internal power dissipation. Once the junction temperature drops back to approximately 155°C, the LT7101 turns back on and re-initiates a start-up. Long term overstress ( $T_J > 150^\circ\text{C}$ ) should be avoided as it can degrade the performance or shorten the life of the part.

### Thermal Considerations

The LT7101 requires the exposed package backplane metal (PGND) to be well soldered to the PC board to provide both electrical and thermal contact. This gives the QFN package exceptional thermal properties, compared to other packages of similar size. In many applications, the LT7101 does not generate much heat due to its high efficiency and low thermal resistance package backplane. However, in applications in which the LT7101 is running at a high ambient temperature and high input voltage or high switching frequency, the generated heat may exceed the maximum junction temperature of the part. If the junction temperature reaches approximately 171°C, both power switches will be turned off until temperature decreases by approximately 16°C.

Thermal analysis should always be performed by the user to ensure the LT7101 does not exceed the maximum junction temperature.

The temperature rise is given by:

$$T_{RISE} = P_D \cdot \theta_{JA}$$

where  $P_D$  is the power dissipated in the chip and  $\theta_{JA}$  is the thermal resistance from the junction of the die to the ambient environment. Consider the example in which an LT7101 is operating with  $I_{OUT} = 1A$ ,  $V_{IN} = 50V$ ,  $f = 500\text{kHz}$ ,  $V_{OUT} = EXT_{V_{CC}} = 5V$ , and an ambient temperature of 70°C. From the Typical Performance Characteristics section the  $R_{DS(ON)}$  of the top switch at this temperature is found to be nominally 760mΩ while that of the bottom switch is

## APPLICATIONS INFORMATION

nominally 410mΩ yielding an equivalent power MOSFET resistance  $R_{SW}$  of:

$$R_{SW} = (760\text{m}\Omega)(0.1) + (410\text{m}\Omega)(0.9) = 445\text{m}\Omega$$

From the previous section, the  $I^2R$  losses are  $(1^2)(0.445) = 445\text{mW}$ .  $INTV_{CC}$  power dissipation is:

$$P_{LDO} = \left[ 3.5\text{mA} + \ln C \left( 4 + \frac{50}{31} \right) \cdot 500\text{k} \right] \cdot 5 = 32\text{mW}$$

The transition losses are approximately:

$$(47\text{pF}) \cdot 63^2 \cdot (1 + 1.3) \cdot 500\text{kHz} = 215\text{mW}$$

so the total power dissipation is approximately 0.69W. The QFN 5mm × 6mm package junction-to-ambient thermal resistance,  $\theta_{JA}$ , is approximately 38°C/W. Therefore, the junction temperature of the regulator operating in a 70°C ambient temperature is approximately:

$$T_J = 0.69\text{W} \cdot 38^\circ\text{C/W} + 70^\circ\text{C} = 96^\circ\text{C}$$

which is below the maximum junction temperature of 150°C.

### Design Example

As a design example, consider the LT7101 in an application with the following specifications:  $V_{IN} = 36\text{V}$  to  $72\text{V}$ ,  $V_{OUT} = 12\text{V}$ ,  $I_{OUT(MAX)} = 1\text{A}$ ,  $I_{OUT(MIN)} = 20\text{mA}$ , and switching is enabled between 30V and 90V on  $V_{IN}$ .

First, because efficiency is important at both high and low load currents, Burst Mode operation at 500kHz is chosen.

The  $R_{FREQ}$  resistor for 500kHz switching frequency is calculated using  $R_{FREQ} = f/40 + 7.5\text{k} = 20\text{k}$ . In addition, the PLLIN/MODE pin is tied to ground to select Burst Mode operation.

Next, since the output voltage is available as a preprogrammed value ( $V_{PRG1} = INTV_{CC}$  and  $V_{PRG2} = OPEN$ ), the  $R_{IND}$  pin is left floating, and the inductor value chosen according to Table 3 as 63μH. Suitable inductors with a nominal value of 68μH and  $I_{SAT} \geq 1.8\text{A}$  are available from multiple manufacturers, so a value of  $L = 68\mu\text{H}$  is chosen.

Next,  $C_{OUT} = 10\mu\text{F}$  is selected based on the minimum needed for internal voltage loop compensation and output ripple.  $C_{IN}$  is sized to handle a ripple current  $I_{RMS} = I_{OUT}/2 = 0.5\text{A}$ . A low ESR, 100V, 4.7μF ceramic capacitor is chosen. The  $INTV_{CC}$  decoupling capacitor is chosen as 1μF and the BOOST capacitor is chosen as 0.1μF.  $EXTV_{CC}$  is tied to  $V_{OUT}$  to minimize loss in the  $INTV_{CC}$  LDO.

The undervoltage and overvoltage lockout requirements on  $V_{IN}$  can be satisfied with a resistor divider from  $V_{IN}$  to the RUN and OVLO pins (refer to Figure 8). Choose  $R3+R4+R5 = 2.5\text{M}\Omega$  to minimize the loading on  $V_{IN}$ . Calculate  $R3$ ,  $R4$  and  $R5$  as follows:

$$R5 = \frac{1.21\text{V} \cdot 2.5\text{M}\Omega}{90\text{V}} = 33.6\text{k}$$

$$R4 = \frac{1.21\text{V} \cdot 2.5\text{M}\Omega}{30\text{V}} - R5 = 67.2\text{k}$$

$$R3 = 2.5\text{M}\Omega - R5 - R4 = 2.4\text{M}\Omega$$

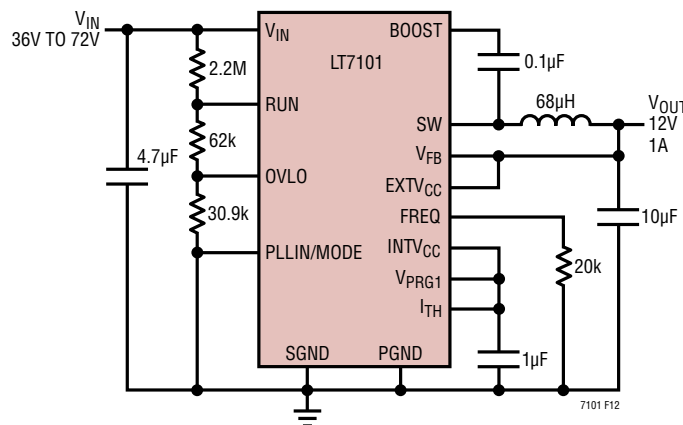


Figure 12. 36V to 72V Input to 12V Output, 1A Regulator



## APPLICATIONS INFORMATION

Since specific resistor values in the M $\Omega$  range are generally less available, it may be necessary to scale R3, R4, and R5 to a standard value of R3. For this example, choose R3 = 2.2M and scale R4 and R5 by 2.2M/2.4M. Then, R4 = 61.6k and R5 = 30.8k. Choose standard values of R3 = 2.2M, R4 = 62k, and R5 = 30.9k. Note that the falling thresholds for the UVLO and OVLO will be 8% and 5% lower than the rising thresholds, or 27.6V and 85.5V respectively.

Since this application has  $V_{OUT} > 6V$  and RUN pin control is desired, Option 2 configuration is selected. The minimum allowed operating input voltage is given by:

$$V_{IN,MIN} \geq \frac{12}{1-0.13} = 13.8V$$

This requirement is easily satisfied by the RUN pin divider, which limits operation to input voltage greater than 27.6V.

Internal compensation is selected by tying the  $I_{TH}$  pin to INTV<sub>CC</sub>. The  $I_{CTRL}$  pin is left floating to select a current limit of 1.11A, and the SS pin is left floating to select the internal soft-start ramp of 1.2ms. Figure 12 shows a complete schematic for this design example.

### Low EMI PCB Layout

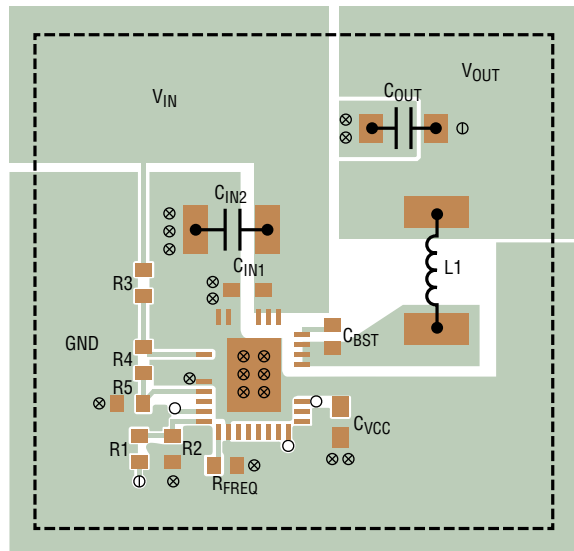
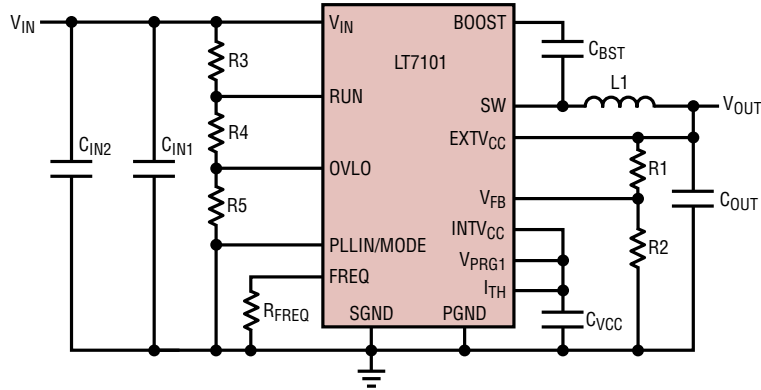
The LT7101 is designed specifically to minimize EMI/EMC emissions by reducing the parasitic inductance associated with the internal power switches. For optimal performance, the LT7101 requires two  $V_{IN}$  bypass capacitors. As shown in Figure 13, place a smaller 0.1 $\mu$ F capacitor ( $C_{IN1}$ , 0805 case) as close as possible to the LT7101, and a 4.7 $\mu$ F or larger capacitor ( $C_{IN2}$ , 1210 case) just beyond  $C_{IN1}$ .

For the lowest possible EMI/EMC emissions, an input filter is required. See Figure 17 for an example and the LT7101 demo board guide for additional details as well as PCB design files.

When laying out the printed circuit board, the following checklist should be used to ensure proper operation of the LT7101 (Refer to Figure 13):

1. Place the input capacitors, inductor and output capacitors on the same side of the circuit board, and make their connections on that layer where possible. Place a local, unbroken ground plane under the application circuit on the layer closest to the surface layer.
2. Connect capacitor  $C_{IN1}$  to  $V_{IN}$  and PGND as close to the pins as possible. These capacitors provide the AC current to the internal power MOSFETs. The (–) plate of  $C_{IN1}$  should be closely connected to PGND and the (–) plate of  $C_{OUT}$ .
3. When using adjustable  $V_{OUT}$  mode, the resistor divider (R1 and R2) must be connected between the (+) plate of  $C_{OUT}$  and a ground line terminated near SGND. Place these resistors near the IC, keeping the  $V_{FB}$  trace short and away from either SW or BOOST.
4. Keep sensitive components (attached to RUN, OVLO,  $R_{IND}$ ,  $I_{TH}$ ,  $V_{FB}$ ,  $FREQ$ ,  $I_{MON}$  and  $I_{CTRL}$ ) away from the SW and BOOST pins. Make the SW and BOOST nodes as small as possible.
5. Use either one ground plane or segregate the signal and power grounds into two planes connected through a single, low resistance trace to a common reference point, typically at the exposed pad.
6. Flood all unused areas on all layers with copper tied to the exposed pad in order to reduce the temperature rise of the LT7101.

APPLICATIONS INFORMATION



7101 F13

- ⊗ VIAS TO GROUND PLANE
- Φ VIAS TO OUTPUT SUPPLY (V<sub>OUT</sub>)
- VIAS TO INTV<sub>CC</sub>
- OUTLINE OF GROUND PLANE

Figure 13. Example PCB Layout

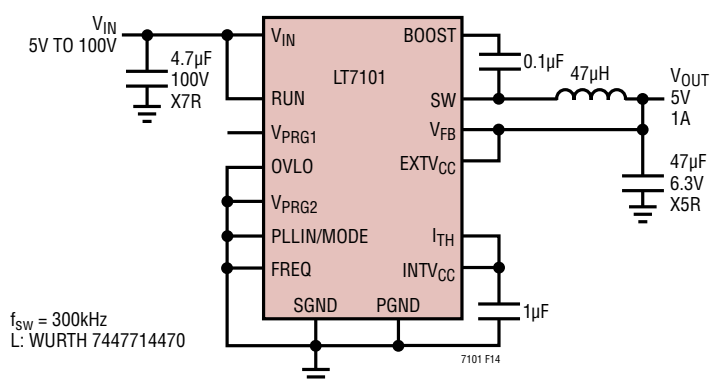


Figure 14. High Efficiency 5V to 100V Input to 5V/1A Output Step-Down Regulator

## TYPICAL APPLICATIONS

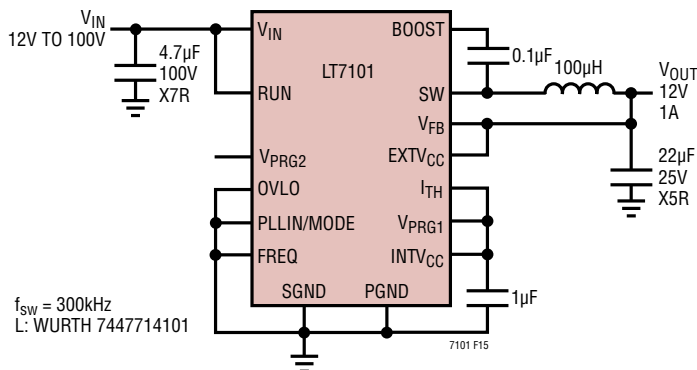


Figure 15. High Efficiency 12V to 100V Input to 12V/1A Output Step-Down Regulator

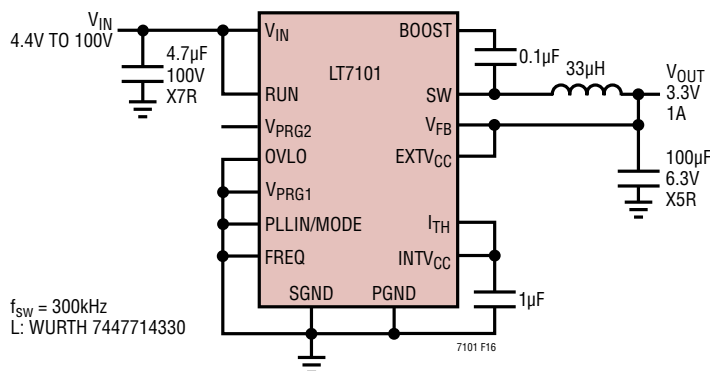


Figure 16. High Efficiency 4.4V to 100V Input to 3.3V/1A Output Step-Down Regulator

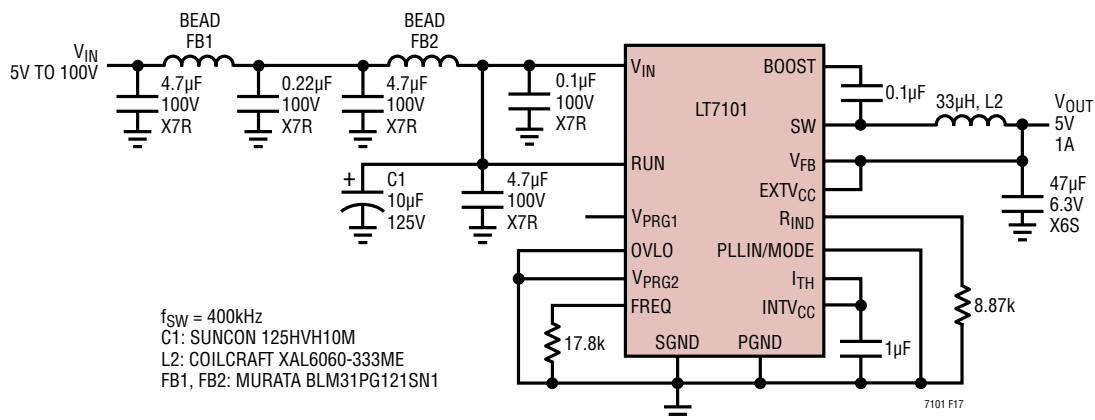
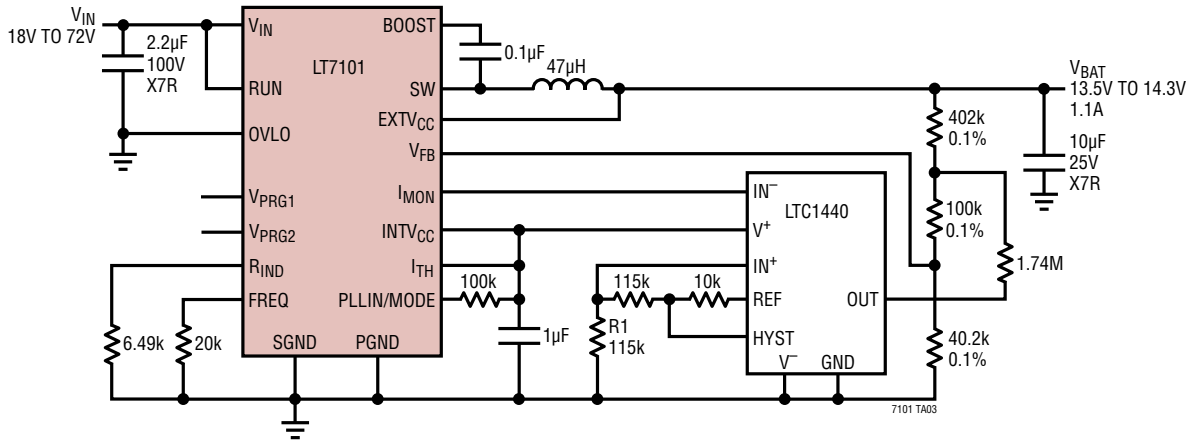


Figure 17. Low EMI 5V to 100V Input to 5V/1A Output Step-Down Regulator

## TYPICAL APPLICATIONS

### 1.1A, 6-Cell SLA Battery Charger with Charge Termination



$f_{sw} = 500\text{kHz}$   
 L: COILCRAFT XFL6060-473ME

$$R1 = \frac{125k (I_{TERM} + 0.61)}{0.96 - I_{TERM}}$$

1.1A CHARGING CURRENT  
 14.3V TOPPING CHARGE VOLTAGE WITH 0.15A TERMINATION  
 13.4V FLOAT VOLTAGE





# Mouser Electronics

Authorized Distributor

Click to View Pricing, Inventory, Delivery & Lifecycle Information:

[Analog Devices Inc.:](#)

[LT7101EUHE#TRPBF](#) [LT7101MPUHE#PBF](#) [LT7101EUHE#PBF](#) [LT7101MPUHE#TRPBF](#) [LT7101IUHE#PBF](#)  
[LT7101HUHE#PBF](#) [LT7101IUHE#TRPBF](#) [LT7101HUHE#TRPBF](#) [DC2895A](#)