



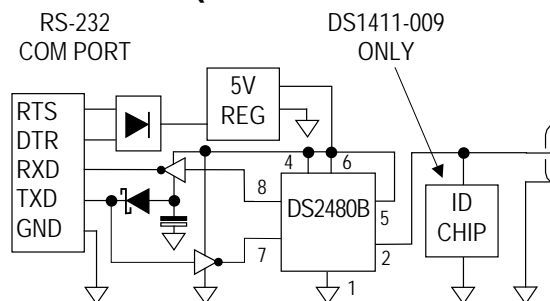
DS1411 Serial Port iButton Holder

FEATURES

- Small Size, True-Ground Interface to an RS-232 COM Port for Reading and Writing iButton® Devices
- CE and FCC Compliant
- Works with Bipolar Logic Signals of $\pm 5V$ to $\pm 12V$ (RS-232C) as well as Unipolar Signals of 5V to 12V
- Supports Reading and Writing at Standard and Overdrive Speeds
- Provides Strong Pullup to 5V for Temperature iButton and EEPROM iButton
- Communicates at Data Rates of 9.6kbps (default), 19.2kbps, 57.6kbps, and 115.2kbps
- Powered Entirely from an RS-232 Interface
- Standard DB9 Female Connector for Mating to the COM Port of a Computer with DS9098P iButton Retainer for a Single iButton
- Includes DS2502 Identification Chip (DS1411-009 Version Only)



SCHEMATIC (FOR ILLUSTRATION)



ORDERING INFORMATION

| PART | TYPE |
|-------------|-----------------------------|
| DS1411-009# | DB9 connector, with ID chip |
| DS1411-S09# | DB9 connector, no ID chip |

#Denotes a RoHS-compliant device that may include lead(Pb) that is exempt under the RoHS requirements.

DESCRIPTION

The DS1411 is a sophisticated RS-232-to-1-Wire® adapter and iButton holder that performs RS-232-level conversion and actively generates the 1-Wire communication signals. Together with an adequate software driver, it enables a Windows®-based PC to directly read all and write any non-EPROM iButton devices. The DS1411 has a DS9098P retainer for a single F5 MicroCan. For a list of suitable 1-Wire network cables, e.g., to connect multiple iButtons, refer to the *Connectivity Matrix* table in the DS1402x 1-Wire network cables data sheet. 1-Wire communication is supported by the adapter for standard speed as well as overdrive speed. The serial port must support a data transmission rate of 9600 bits/s. Under software control, the adapter can be set up for RS-232 data rates of 19200bps, 57600bps, and 115200bps. The two higher rates are recommended for communication at overdrive speed with overdrive capable devices. Since the DS1411 operates in a byte mode, every data byte received from the RS-232 port generates eight time slots on the 1-Wire bus. The DS1411 is based on the DS2480B serial 1-Wire line driver chip. The RXD/TXD polarity select input of the DS2480B is connected to V_{DD} (noninverting). Free software drivers can be downloaded from www.maxim-ic.com/1-Wiredrivers.

iButton and 1-Wire are registered trademarks of Maxim Integrated Products, Inc.
Windows is a registered trademark of Microsoft Corp.

REVISION HISTORY

| REVISION DATE | DESCRIPTION | PAGES CHANGED |
|---------------|---|---------------|
| 7/99 | Initial release | — |
| 7/02 | Updated <i>Ordering Information</i> ; updated <i>Schematic</i> for conversion from DS2480 to DS2480B and optional ID chip; replaced product graphic with photo; added CE and FCC compliance bullet to <i>Features</i> ; changed iButton retainer model from DS9098 to DS9098P | 1 |
| 8/09 | Added # to the <i>Ordering Information</i> to reflect conversion to a RoHS-compliant product; added <i>Revision History</i> table | 1, 2 |
| 6/11 | Deleted references to Crypto iButton, TMEX, DS9097U, and DS1412; added reference to the <i>Connectivity Matrix</i> table in the DS1402x 1-Wire network cables data sheet; added the URL for software drivers download | 1 |

Mouser Electronics

Authorized Distributor

Click to View Pricing, Inventory, Delivery & Lifecycle Information:

[Analog Devices Inc.:](#)

[DS1411-009#](#)