

LTC2358-18, LT6658, ADA4522-2 Industrial Data Acquisition Nonisolated Board

DESCRIPTION

Demonstration circuit 2677A is a reference design for robust industrial data acquisition applications for the [LTC[®]2358-18](#). The LTC2358-18 is capable of high voltage measurements with a large input common range; however, the DC2677A implements input protection that allows up to 400V of continuous input protection. Combined with gas discharge tubes, which provide protection from surges, the DC2677A is capable of surviving extreme abuse.

This reference design includes the LTC2358-18 SAR ADC, [ADA4522-2](#) dual zero-drift operational amplifier, and an [LT6658](#) dual-output, high current reference for sensor excitation.

The digital interface is an HSMC (high-speed mezzanine connector), which is compatible with Altera Cyclone V SoCkit and other Altera FPGA evaluation boards that support 3.3V CMOS I/O.

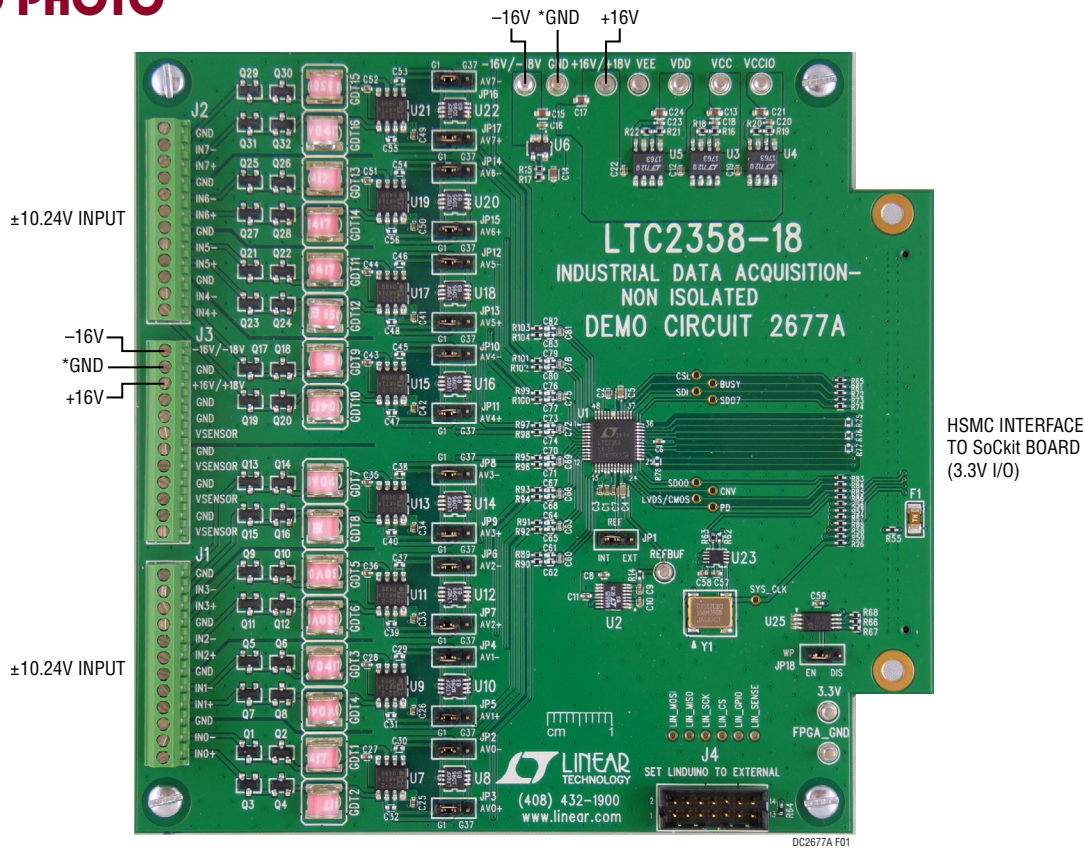
This demo manual covers the basic functionality of the DC2677A.

Refer to design files for schematic and parts list/bill of materials.

Design files for this circuit board are available at <http://www.analog.com/DC2677A>

All registered trademarks and trademarks are the property of their respective owners.

BOARD PHOTO



*THE SPLIT SUPPLY CAN BE CONNECTED FROM THE TURRETS OR FROM THE TERMINALS.

Figure 1. DC2677A Connection Diagram

QUICK START PROCEDURE

1. Prepare the SoCkit board and SD card image as described here: www.analog.com/solutions/7704.
2. Install the LinearLabTools software package from: www.analog.com/linearlabtools.
3. Follow the procedure for Installing Python: www.analog.com/docs/52543
4. Carefully mount the DC2677A to the SoCkit board via the HSMC connector, using 5mm standoffs between the boards. Tighten mounting screws.
5. Connect the SoCkit board to a network with a DHCP server, or connect directly to host computer's Ethernet jack or USB-Ethernet adapter.
6. Apply $\pm 16V$ to the indicated terminals. Refer to Figure 1 for locations.
7. Apply a low jitter signal source to J1 and J2.
8. Power up the SoCkit board using the 12V adapter.
9. After approximately 30 seconds, the FPGA_CONF_D LED will illuminate, the board's IP address will show in the LCD display, and LED1 and LED2 will blink at different rates.
10. Open Spyder (the Anaconda Python Debugger) Click file \rightarrow open Navigate to the location where LinearLabTools is installed.
11. Enter the IP address from the SoCkit LCD screen in the SOCKIT_IP argument. Click Run.
12. If the script reports an incorrect FPGA bitstream file, log into the SoCkit board using an SSH client such as Putty on Windows, or directly from a terminal in Mac or Linux. User name is "socket", password is "socket".

Run these commands:

```
cd fpga_bitfiles
rm default.rbf
ln --symbolic DC2677A.rbf default.rbf
sudo program_fpga.sh default.rbf
(enter "socket" for the password).
```

This only needs to be done once. The correct FPGA bitstream file will be loaded automatically the next time the board boots.

The script will capture data and display each channel in its own window. Figure 2 shows a data capture for channel 0.

Open this script:

```
\python\ltdemo_board_examples\ltdc23xx\
ltdc2358\Open ltdc2358_dc2677a_a.py
```

QUICK START PROCEDURE

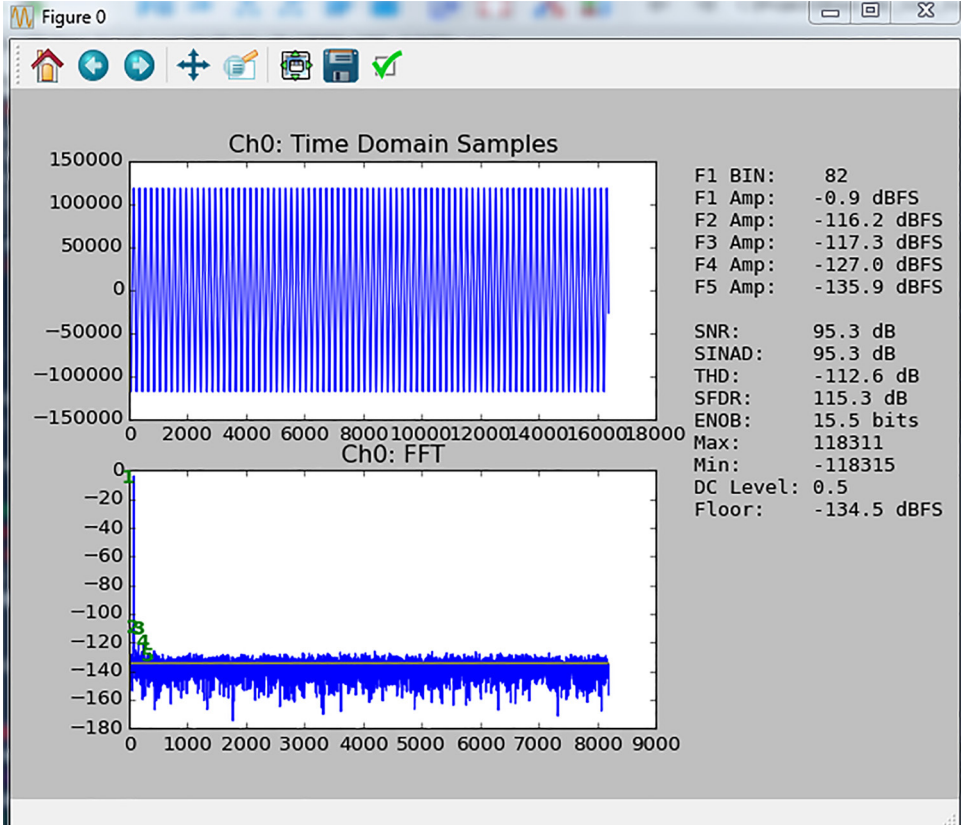


Figure 2. Data Capture for Channel 0

CIRCUIT DESCRIPTION

Input Protection

The DC2677A features input protection circuits. The first line of defense is the use of a back-to-back depletion mode NMOS circuit. This circuit limits the input current to $\pm 3\text{mA}$

up to a maximum of 400V. The second line of defense is the use of low voltage gas discharge tubes (GDT). This will protect downstream components from fast transients such as high voltage surges. Figure 3 shows the input protection circuit.

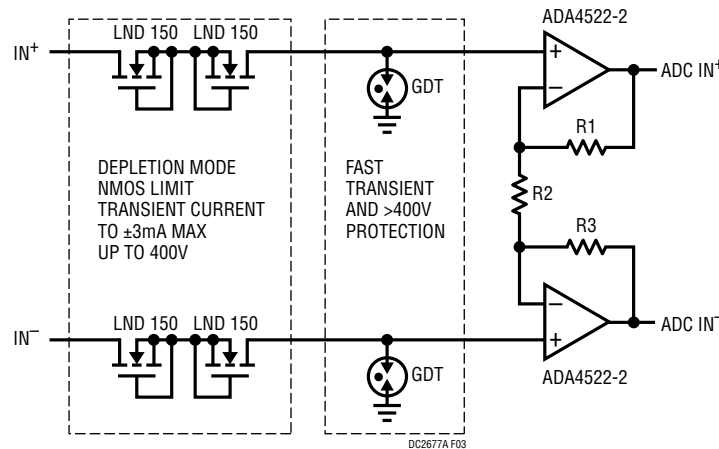


Figure 3. DC2677A Input Protection

Driving Sensors with LT6658

The DC2677A is fitted with an LT6658-5. The high output drive is exposed on J3 labeled V_{SENSOR} . The LT6658 can drive up to 150 mA and can be used to drive low impedance sensors such as Wheatstone bridges. Figure 4 shows how to connect the LT6658 to a number of Wheatstone bridge type sensors, but it can be used to drive other type of sensors.

Using External References for the LTC2358

The DC2677A can be configured to accept external references for the LTC2358. Move JP1 from internal (INT) to external (EXT) position and connect the external reference to the turret labeled REFBUF. To use the LT6658 as the reference, stuff R14 with a 0Ω 0402 resistor.

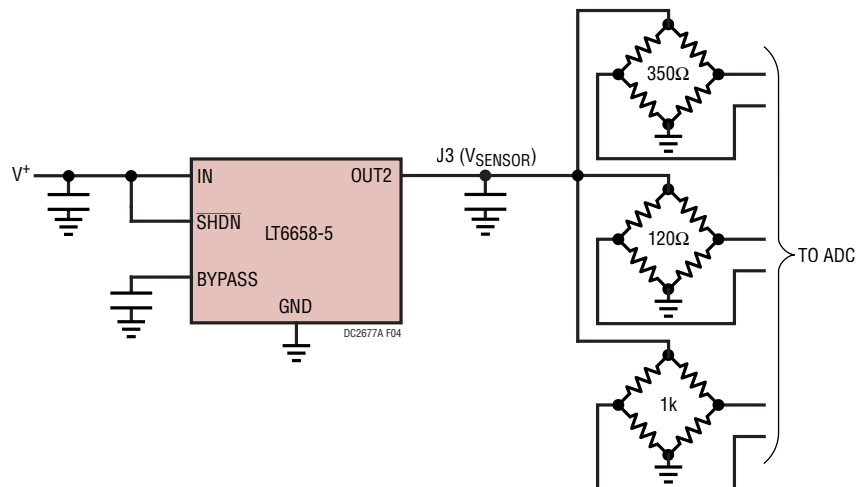


Figure 4. Driving Low Impedance Sensors with the LT6658

EXTERNAL CONNECTIONS

Connections

P1: (Reverse Side of Board). HSMC digital interface. 3.3V CMOS digital signals to and from the ADC, as well as auxiliary signals. It provides 3.3V power from the FPGA board to the DC2677A.

J1, J2: 12-Pin Terminal Block. $IN0^+/IN0^-$ through $IN3^+/IN3^-$ on J1, $IN4^+/IN4^-$ through $IN7^+/IN7^-$ on J2 provide analog input voltages to $AIN0-AIN7$ via the ADA4522-2.

J3: 12-Pin Terminal Block. LT6658 OUT2 is connected in common to four V_{SENSOR} terminals for sensor excitation. +16V/+18V, GND, and -16V/-18V terminals can be used in place of E2, E3 and E7 as inputs for the analog supplies.

J4: 14-Pin Connector with 3.3V Logic Levels. This connector is intended for advanced features which allows the FPGA to connect to demo boards with a SPI interface. Contact the factory for support.

JP1: REF – Selects internal (INT) or external (EXT) reference for the ADC. The default setting is INT.

JP2–JP17: GAIN – Sets the gain of the ADA4522-2 to either unity gain (G1) or a gain of 5 (G37). Other gains are possible by using the G37 position and installing different LT5400s. For example, replacing the default LT5400-4 with the LT5400-8, the gain will be 37. The default jumper position is G1. Both jumpers for each ADA4522-2 must be set to the same gain position.

JP18: EEPROM is for factory use only. The default position is WP.

Turrets

E1: REFBUF – LTC2358 reference pin.

E2: +16V/+18V – Positive input for analog supply. A maximum of 20V can be applied.

E3: GND – Grounded input for analog supply.

E4: V_{CC} – LTC2358-18 positive high voltage power supply, nominally 15.25V set by U3.

E5: V_{CCIO} – LTC2358-18 digital supply, nominally 3.28V set by U4.

E6: V_{DD} – LTC2358-18 V_{DD} power supply, nominally 5V.

E7: -16V/-18V – Negative input for analog supply. A maximum of -20V can be applied.

E8: V_{EE} – LTC2358-18 negative high voltage power supply, nominally -15.25V set by U6.

E9: 3.3V – Supply for onboard clock. Normally supplied from the FPGA board via P1. May be powered externally by removing F1.

E10: FPGA_GND – FPGA ground.



ESD Caution

ESD (electrostatic discharge) sensitive device. Charged devices and circuit boards can discharge without detection. Although this product features patented or proprietary protection circuitry, damage may occur on devices subjected to high energy ESD. Therefore, proper ESD precautions should be taken to avoid performance degradation or loss of functionality.

Legal Terms and Conditions

By using the evaluation board discussed herein (together with any tools, components documentation or support materials, the "Evaluation Board"), you are agreeing to be bound by the terms and conditions set forth below ("Agreement") unless you have purchased the Evaluation Board, in which case the Analog Devices Standard Terms and Conditions of Sale shall govern. Do not use the Evaluation Board until you have read and agreed to the Agreement. Your use of the Evaluation Board shall signify your acceptance of the Agreement. This Agreement is made by and between you ("Customer") and Analog Devices, Inc. ("ADI"), with its principal place of business at One Technology Way, Norwood, MA 02062, USA. Subject to the terms and conditions of the Agreement, ADI hereby grants to Customer a free, limited, personal, temporary, non-exclusive, non-sublicensable, non-transferable license to use the Evaluation Board FOR EVALUATION PURPOSES ONLY. Customer understands and agrees that the Evaluation Board is provided for the sole and exclusive purpose referenced above, and agrees not to use the Evaluation Board for any other purpose. Furthermore, the license granted is expressly made subject to the following additional limitations: Customer shall not (i) rent, lease, display, sell, transfer, assign, sublicense, or distribute the Evaluation Board; and (ii) permit any Third Party to access the Evaluation Board. As used herein, the term "Third Party" includes any entity other than ADI, Customer, their employees, affiliates and in-house consultants. The Evaluation Board is NOT sold to Customer; all rights not expressly granted herein, including ownership of the Evaluation Board, are reserved by ADI. CONFIDENTIALITY. This Agreement and the Evaluation Board shall all be considered the confidential and proprietary information of ADI. Customer may not disclose or transfer any portion of the Evaluation Board to any other party for any reason. Upon discontinuation of use of the Evaluation Board or termination of this Agreement, Customer agrees to promptly return the Evaluation Board to ADI. ADDITIONAL RESTRICTIONS. Customer may not disassemble, decompile or reverse engineer chips on the Evaluation Board. Customer shall inform ADI of any occurred damages or any modifications or alterations it makes to the Evaluation Board, including but not limited to soldering or any other activity that affects the material content of the Evaluation Board. Modifications to the Evaluation Board must comply with applicable law, including but not limited to the RoHS Directive. TERMINATION. ADI may terminate this Agreement at any time upon giving written notice to Customer. Customer agrees to return to ADI the Evaluation Board at that time. LIMITATION OF LIABILITY. THE EVALUATION BOARD PROVIDED HEREUNDER IS PROVIDED "AS IS" AND ADI MAKES NO WARRANTIES OR REPRESENTATIONS OF ANY KIND WITH RESPECT TO IT. ADI SPECIFICALLY DISCLAIMS ANY REPRESENTATIONS, ENDORSEMENTS, GUARANTEES, OR WARRANTIES, EXPRESS OR IMPLIED, RELATED TO THE EVALUATION BOARD INCLUDING, BUT NOT LIMITED TO, THE IMPLIED WARRANTY OF MERCHANTABILITY, TITLE, FITNESS FOR A PARTICULAR PURPOSE OR NON-INFRINGEMENT OF INTELLECTUAL PROPERTY RIGHTS. IN NO EVENT WILL ADI AND ITS LICENSORS BE LIABLE FOR ANY INCIDENTAL, SPECIAL, INDIRECT, OR CONSEQUENTIAL DAMAGES RESULTING FROM CUSTOMER'S POSSESSION OR USE OF THE EVALUATION BOARD, INCLUDING BUT NOT LIMITED TO LOST PROFITS, DELAY COSTS, LABOR COSTS OR LOSS OF GOODWILL. ADI'S TOTAL LIABILITY FROM ANY AND ALL CAUSES SHALL BE LIMITED TO THE AMOUNT OF ONE HUNDRED US DOLLARS (\$100.00). EXPORT. Customer agrees that it will not directly or indirectly export the Evaluation Board to another country, and that it will comply with all applicable United States federal laws and regulations relating to exports. GOVERNING LAW. This Agreement shall be governed by and construed in accordance with the substantive laws of the Commonwealth of Massachusetts (excluding conflict of law rules). Any legal action regarding this Agreement will be heard in the state or federal courts having jurisdiction in Suffolk County, Massachusetts, and Customer hereby submits to the personal jurisdiction and venue of such courts. The United Nations Convention on Contracts for the International Sale of Goods shall not apply to this Agreement and is expressly disclaimed.

Mouser Electronics

Authorized Distributor

Click to View Pricing, Inventory, Delivery & Lifecycle Information:

[Analog Devices Inc.:](#)

[DC2677A](#)