

COMMERCIAL GRADE PUSHBUTTONS

3-POSITION MOMENTARY ACTION, ONE OR TWO STEP

OTTO'S unique 3-position P2 pushbutton offers two levels (steps) of momentary switch action plus "rest" (or "off") for applications requiring three modes of operation.

Each detent operates an independent set of SPDT contacts rated to 5A @ 28VDC or 125 VAC wrapped up in a watertight and dusttight package.

The OTTO P2 series works like this: Upon actuation, level one is reached with a positive tactile feel transmitted back to the operator. The operator has the option of either releasing the pushbutton, which will return to the normal (off) position, or continuing to level two. Upon release, the pushbutton returns to the normal position.

Designed for applications in the commercial market such as the control of two-speed motors, the P2 also works well in numerous military applications.

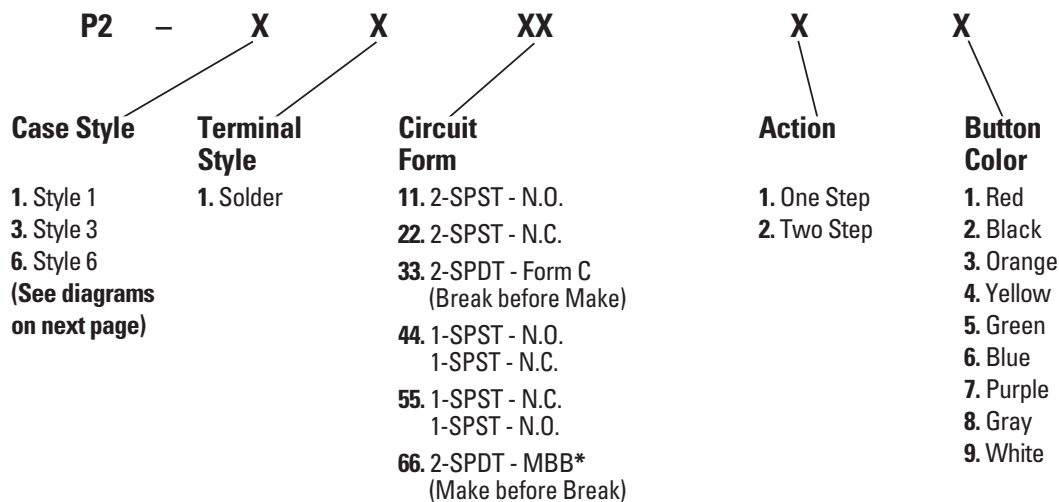


Standard Characteristics/Ratings:	
ELECTRICAL RATINGS:	
Load	Sea Level @ 28VDC or 125VAC, 60/400Hz
Resistive	5A
Inductive	3A
Lamp	3A
DWV	1000Vrms Initial
Low Level	10mA @ 5VDC Resistive
Electrical Life:	25,000 cycles
Mechanical Life:	25,000 cycles
Seal:	Dusttight per MIL-PRF-8805 Design 2 and Watertight per MIL-PRF-8805 Design 3
Operating Temp Range:	-55°C to +85°C
Operating Forces:	Pole One: 2.9 lbs. ± 0.6 lbs. Pole Two: 5.0 lbs. ± 1.5 lbs.
Release Forces:	Pole One: .75 lbs. min. Pole Two: 1.0 lbs. min.
Total Travel:	One Step Style .125 max, Two Step Style .250 max
Overtravel:	0.015 inches min.
Pretravel:	0.020 inches min.
MATERIALS:	
Case:	Black anodized aluminum alloy
Button:	Thermoplastic
Mounting Hardware:	Hex nut and lockwasher for case styles 3 and 6

Features:

- Unique three-mode design
- Sequential DPDT contact action
- One Step and Two Step versions
- 6 circuit forms
- Watertight and dusttight
- 25,000 mechanical cycles

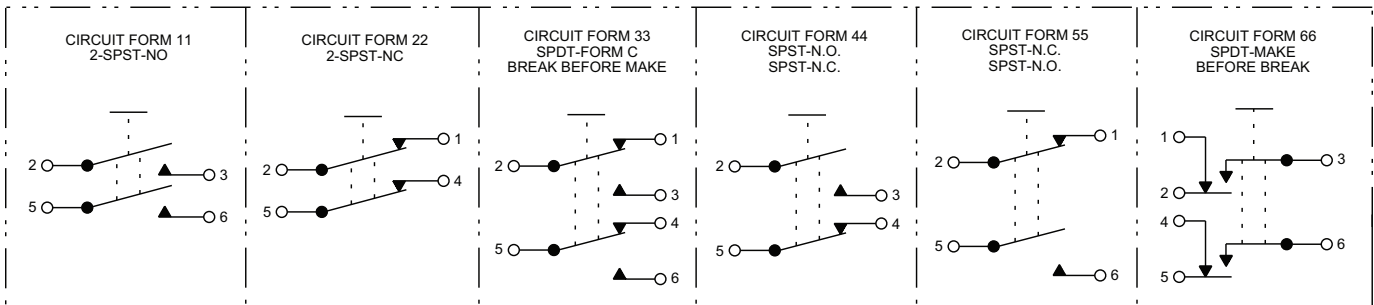
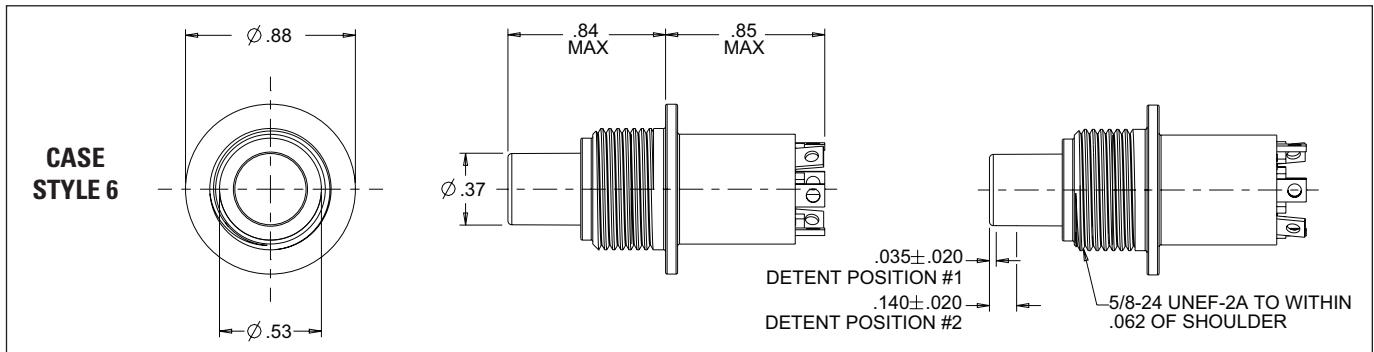
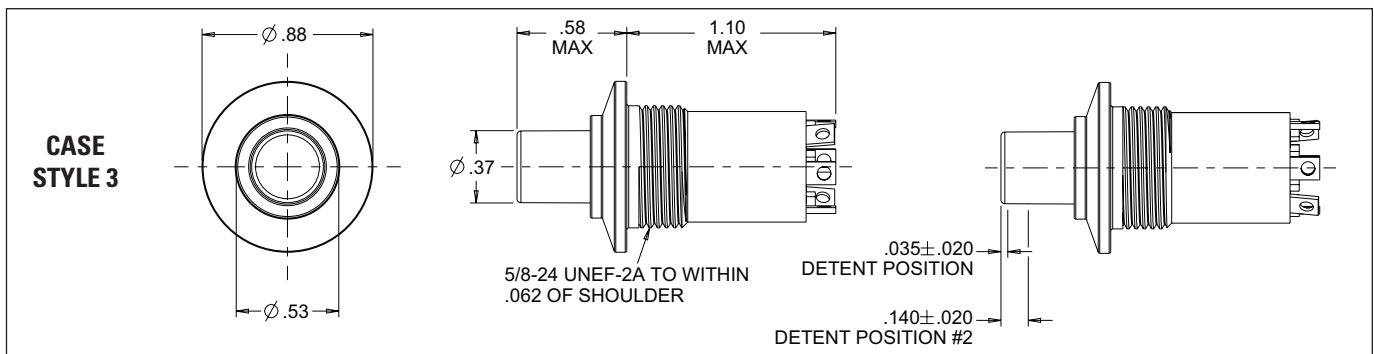
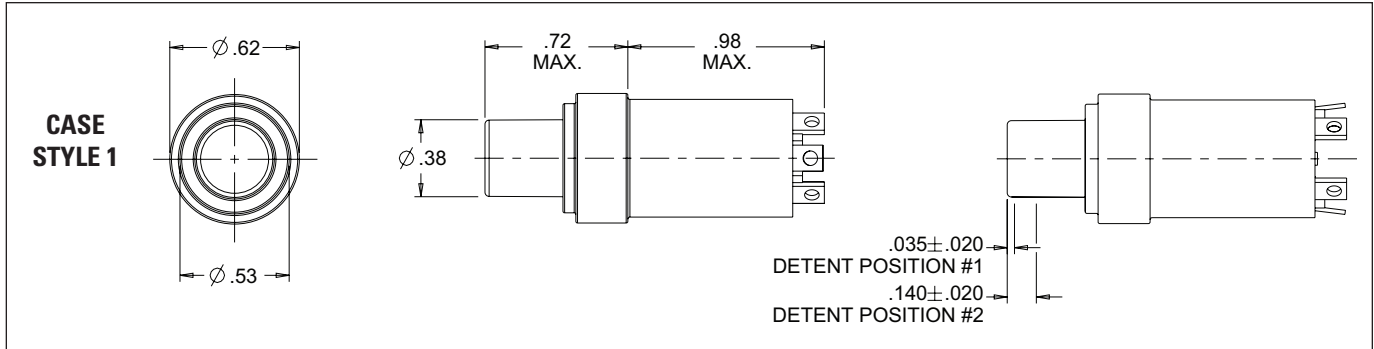
P2 PART NUMBER CODE



* Available with Two Step version only.

COMMERCIAL GRADE PUSHBUTTONS

3-POSITION MOMENTARY ACTION, ONE OR TWO STEP



For two step switches:

Circuit 1-2-3 operates and resets between the first and second detent.

Circuit 4-5-6 operates and resets between the second detent and full travel.

Mouser Electronics

Authorized Distributor

Click to View Pricing, Inventory, Delivery & Lifecycle Information:

[OTTO:](#)

[P2-111121](#) [P2-614412](#) [P2-616622](#) [P2-111111](#) [P2-614422](#) [P2-113321](#) [P2-611121](#) [P2-111112](#) [P2-113328](#) [P2-312211](#) [P2-312212](#) [P2-115521](#) [P2-311111](#) [P2-611122](#) [P2-311112](#) [P2-316622](#) [P2-112222](#) [P2-611111](#) [P2-113311](#) [P2-313321](#) [P2-613322](#) [P2-311122](#) [P2-115524](#) [P2-316629](#) [P2-111118](#) [P2-613312](#) [P2-313322](#) [P2-611115](#) [P2-611112](#) [P2-113312](#) [P2-111129](#)