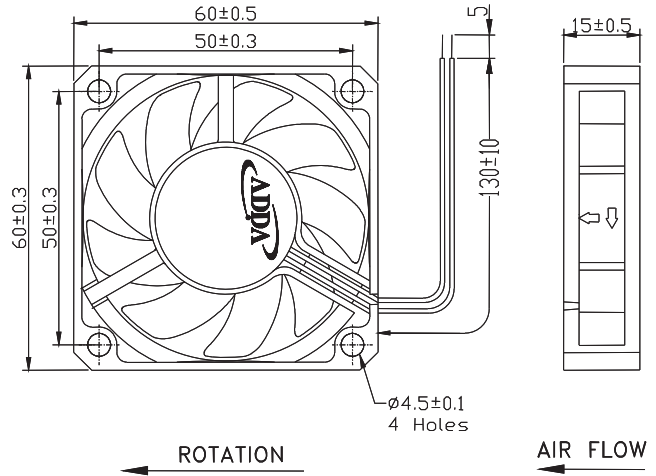




AG6015 SERIES



External Dimensions



Frame: Plastic(UL:94V-0)
 Impeller: Plastic(UL:94V-0)
 Lead wire: UL1007AWG26

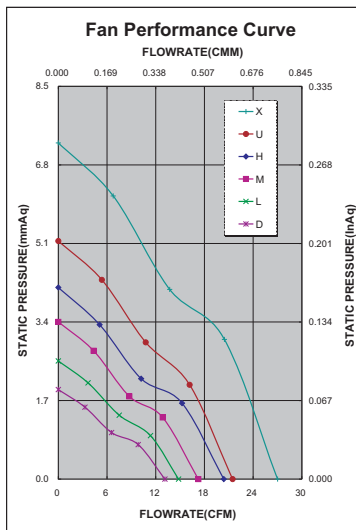
Specifications(Nominal)

*Noise is measured at the distance of one (1) meter from the axis of intake.
 Bearing type: ⊙=Ball ※=Sleeve ●=Hypro bearing

Frame size (mm)	Model No.	Bearing System Type	Rated Voltage (VDC)	Current (A)	Power (W)	Rated Speed (rpm)	Maximum AirFlow (CMM)	Maximum AirFlow (CFM)	Maximum Pressure (InAq)	Maximum Pressure (mmAq)	*Noise Level (dB/A)	Weight (g)
60x60x15	AG06005DB159100	⊙ ※ ●	5	0.10	0.50	3000	0.371	13.134	0.076	1.930	21.0	39.0
	AG06005LB159100	⊙ ※ ●	5	0.13	0.65	3500	0.419	14.817	0.100	2.540	25.3	
	AG06005MB159100	⊙ ※ ●	5	0.19	0.95	4000	0.488	17.250	0.133	3.378	28.7	
	AG06005HB159100	⊙ ※ ●	5	0.28	1.40	4500	0.577	20.390	0.163	4.140	32.1	
	AG06012DB159100	⊙ ※ ●	12	0.04	0.48	3000	0.371	13.134	0.076	1.930	21.0	
	AG06012LB159100	⊙ ※ ●	12	0.06	0.72	3500	0.419	14.817	0.100	2.540	25.3	
	AG06012MB159100	⊙ ※ ●	12	0.08	0.96	4000	0.488	17.250	0.133	3.378	28.7	
	AG06012HB159100	⊙ ※ ●	12	0.10	1.20	4500	0.577	20.390	0.163	4.140	32.1	
	AG06012UB159100	⊙ ※ ●	12	0.14	1.68	5000	0.607	21.466	0.202	5.130	35.8	
	AG06012XB159100	⊙ ※ ●	12	0.26	3.12	6000	0.764	27.013	0.286	7.264	40.7	
	AG06024DB159100	⊙ ※ ●	24	0.04	0.96	3000	0.371	13.134	0.076	1.930	21.0	
	AG06024LB159100	⊙ ※ ●	24	0.05	1.20	3500	0.419	14.817	0.100	2.540	25.3	
	AG06024MB159100	⊙ ※ ●	24	0.07	1.68	4000	0.488	17.250	0.133	3.378	28.7	
	AG06024HB159100	⊙ ※ ●	24	0.08	1.92	4500	0.577	20.390	0.163	4.140	32.1	
	AG06024UB159100	⊙ ※ ●	24	0.10	2.40	5000	0.607	21.466	0.202	5.130	35.8	

Specifications subject to change without notice.

The specification for bearing type is for reference only, for more bearing types information, please contact with your ADDA sales representative, thanks!!
 (網頁上呈現產品軸承資訊均以參考為主, 若需其他產品資訊請聯絡您在ADDA的業務代表, 謝謝!!)



*Motor protective circuit and third lead wire functions

0	1	2	3	4	6	7	8	9	A	B
	✓	✓	✓							

*Safety approvals

✓	✓		✓	✓

Mouser Electronics

Authorized Distributor

Click to View Pricing, Inventory, Delivery & Lifecycle Information:

[ADDA:](#)

[AG06024LB159100](#) [AG06024HB159100](#) [AG06012HB159100](#) [AG06012LB159100](#) [AG06012MB159100](#)
[AG06024MB159100](#) [AG06012HB159301](#) [AG06012LX159301](#) [AG06012MB159101](#) [AG06005HB159301](#)
[AG06005HB159201](#) [AG06012DX159301](#) [AG06012MB159301](#) [AD0624HX-D70GL](#)