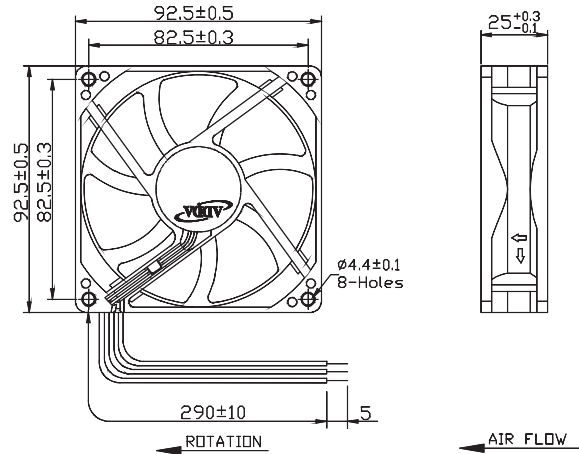
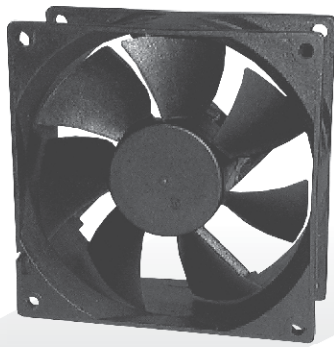




AD9225 SERIES

External Dimensions



Frame: Plastic(UL:94V-0)
 Impeller: Plastic(UL:94V-0)
 Lead wire: UL1007AWG24

Specifications(Nominal)

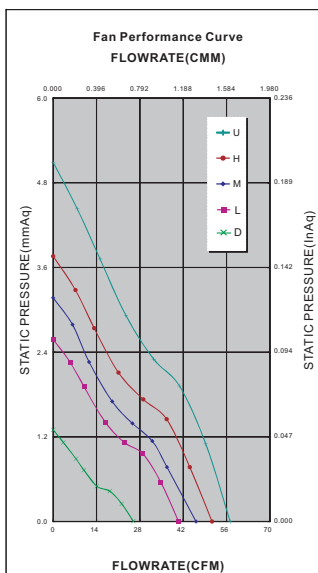
*Noise is measured at the distance of one (1) meter from the axis of intake.

Bearing type: ⊙=Ball ⊛=Sleeve ●=Hypro bearing

Frame size (mm)	Model No.	Bearing System Type	Rated Voltage (VDC)	Current (A)	Power (W)	Rated Speed (rpm)	Maximum AirFlow (CMM)	Maximum AirFlow (CFM)	Maximum Pressure (InAq)	Maximum Pressure (mmAq)	*Noise Level (dB/A)	Weight (g)
92x92x25	AD0912DB-A73GL(N)	⊙ ●	12	0.05	0.60	1600	0.730	25.892	0.051	1.300	21.6	92.0
	AD0912LB-A73GL(N)	⊙ ●	12	0.09	1.08	2300	1.150	40.527	0.101	2.570	33.0	
	AD0912MB-A73GL(N)	⊙ ●	12	0.14	1.68	2600	1.310	46.142	0.114	2.900	36.3	
	AD0912HB-A73GL(N)	⊙ ●	12	0.18	2.16	2900	1.450	51.330	0.148	3.760	39.2	
	AD0912UB-A73GL(N)	⊙ ●	12	0.27	3.24	3300	1.620	57.176	0.200	5.080	43.2	
	AD0924LB-A73GL(N)	⊙ ●	24	0.08	1.92	2300	1.150	40.527	0.101	2.570	33.0	
	AD0924MB-A73GL(N)	⊙ ●	24	0.09	2.16	2600	1.310	46.142	0.114	2.900	36.3	
	AD0924HB-A73GL(N)	⊙ ●	24	0.11	2.64	2900	1.450	51.330	0.148	3.760	39.2	
	AD0924UB-A73GL(N)	⊙ ●	24	0.16	3.84	3300	1.620	57.176	0.200	5.080	43.2	
	AD0948HB-A73GL	⊙	48	0.11	5.28	2900	1.450	51.330	0.148	3.760	39.2	

Specifications subject to change without notice.

The specification for bearing type is for reference only, for more bearing types information, please contact with your ADDA sales representative, thanks!!
 (網頁上呈現產品軸承資訊均以2Ball為主, 若需其他產品資訊請聯絡您在ADDA的業務代表, 謝謝!!)



*Motor protective circuit and third lead wire functions

0	1	2	3	4	6	7	8	9	A	B
	✓	✓	✓							

*Safety approvals

✓	✓		✓	✓

Mouser Electronics

Authorized Distributor

Click to View Pricing, Inventory, Delivery & Lifecycle Information:

[ADDA:](#)

[AD0912MB-A70GL-LF](#) [AD0924HB-A71GL\(QT\)](#) [AD0912MX-A71GL\(N\)](#) [AD0924MB-A71GL\(QT\)](#)