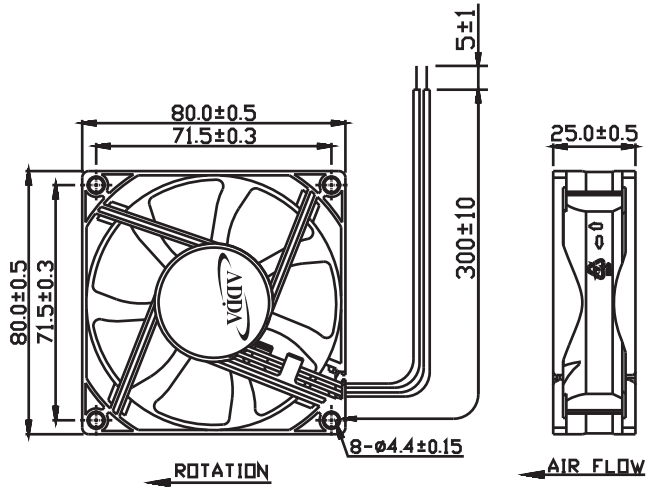




# AD8025(T) SERIES

## External Dimensions



Frame:Plastic(UL:94V-0)  
 Impeller:Plastic(UL:94V-0)  
 Lead wire:UL1007AWG24

## Specifications(Nominal)

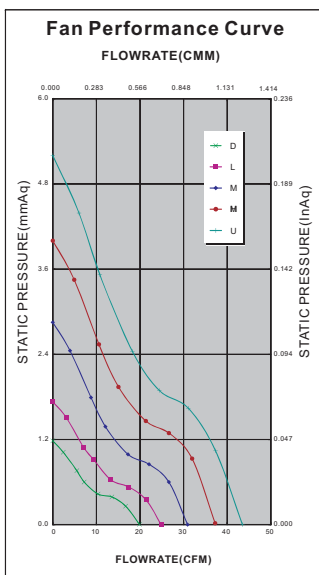
\*:Noise is measured at the distance of one (1)meter from the axis of intake.

Bearing type: ⊙=Ball ※=Sleeve ●=Hypro bearing

| Frame size (mm) | Model No.       | Bearing System Type | Rated Voltage (VDC) | Current (A) | Power (W) | Rated Speed (rpm) | Maximum AirFlow (CMM) | Maximum AirFlow (CFM) | Maximum Pressure (InAq) | Maximum Pressure (mmAq) | *Noise Level (dB/A) | Weight (g) |
|-----------------|-----------------|---------------------|---------------------|-------------|-----------|-------------------|-----------------------|-----------------------|-------------------------|-------------------------|---------------------|------------|
| 80x80x25        | AD08012DB257604 | ⊙ ●                 | 12                  | 0.03        | 0.36      | 1600              | 0.562                 | 19.887                | 0.046                   | 1.168                   | 18.3                | 72.0       |
|                 | AD08012LB257604 | ⊙ ●                 | 12                  | 0.05        | 0.60      | 2000              | 0.690                 | 24.387                | 0.068                   | 1.727                   | 23.6                |            |
|                 | AD08012MB257604 | ⊙ ●                 | 12                  | 0.08        | 0.96      | 2500              | 0.875                 | 30.922                | 0.112                   | 2.844                   | 30.0                |            |
|                 | AD08012HB257604 | ⊙ ●                 | 12                  | 0.15        | 1.80      | 3000              | 1.053                 | 37.241                | 0.157                   | 3.987                   | 35.8                |            |
|                 | AD08012UB257604 | ⊙ ●                 | 12                  | 0.18        | 2.16      | 3400              | 1.231                 | 43.500                | 0.204                   | 5.181                   | 40.5                |            |
|                 | AD08024MB257604 | ⊙ ●                 | 24                  | 0.04        | 0.96      | 2500              | 0.875                 | 30.922                | 0.112                   | 2.844                   | 30.0                |            |
|                 | AD08024HB257604 | ⊙ ●                 | 24                  | 0.06        | 1.44      | 3000              | 1.053                 | 37.241                | 0.157                   | 3.987                   | 35.8                |            |
|                 | AD08024UB257604 | ⊙ ●                 | 24                  | 0.09        | 2.16      | 3400              | 1.231                 | 43.500                | 0.204                   | 5.181                   | 40.5                |            |

Specifications subject to change without notice.

The specification for bearing type is for reference only , for more bearing types information, please contact with your ADDA sales representative, thanks!!  
 (網頁上呈現產品軸承資訊均以2Ball為主，若需其他產品資訊請聯絡您在ADDA的業務代表，謝謝！！)



\*Motor protective circuit and third lead wire functions

|   |   |   |   |   |   |   |   |   |   |   |
|---|---|---|---|---|---|---|---|---|---|---|
| 0 | 1 | 2 | 3 | 4 | 6 | 7 | 8 | 9 | A | B |
| ✓ |   |   |   |   | ✓ |   |   |   |   |   |

\*Safety approvals

|   |   |  |   |   |
|---|---|--|---|---|
|   |   |  |   |   |
| ✓ | ✓ |  | ✓ | ✓ |

# Mouser Electronics

Authorized Distributor

Click to View Pricing, Inventory, Delivery & Lifecycle Information:

[ADDA:](#)

[AD08012LB257603-LF](#)