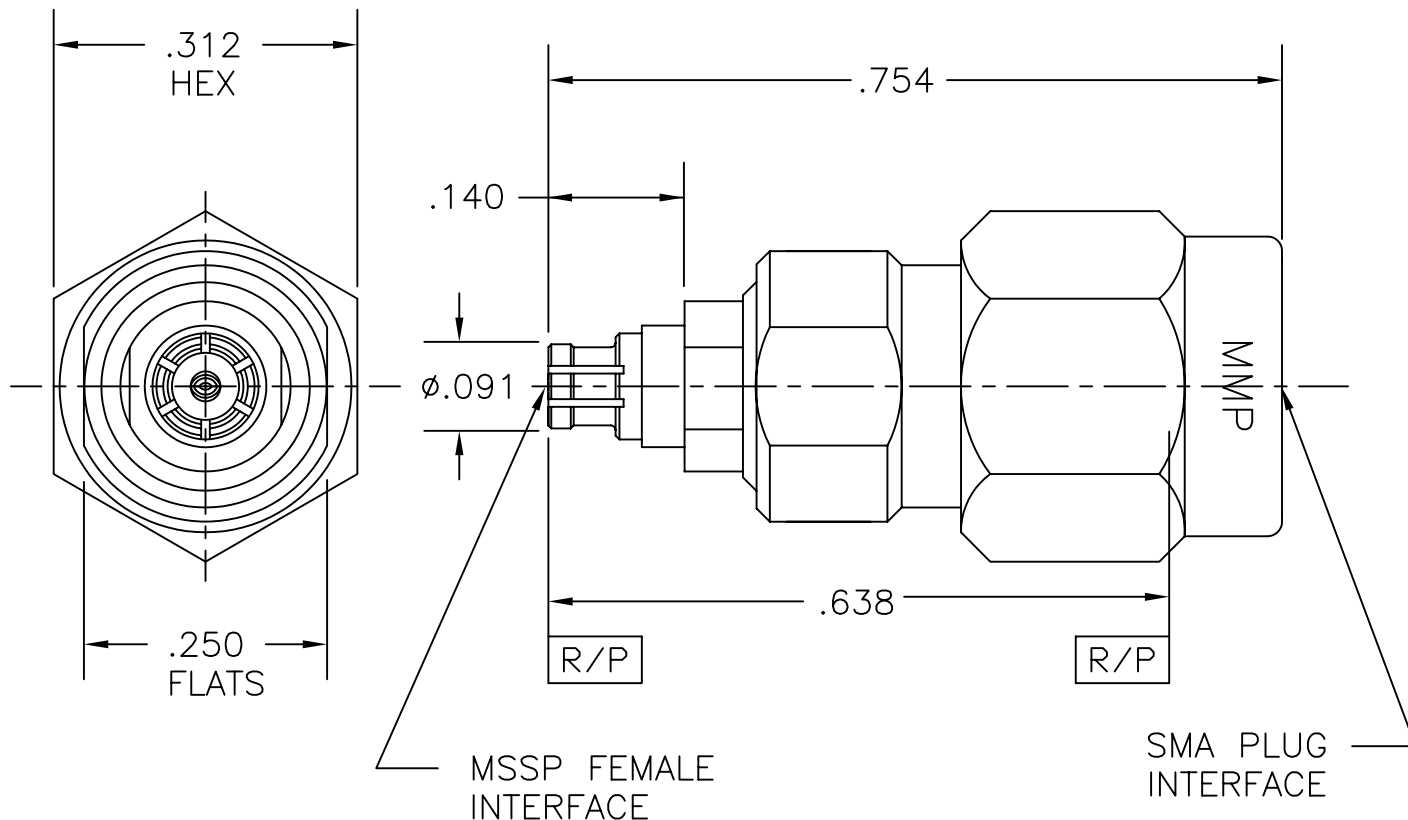


COMPONENT	MATERIAL AND FINISH	
MSSP BODY, CONTACT	BeCu, ASTM B196, UNS C17300	GOLD PLATE, MIL-G-45204, TYPE 1, GRADE C, CLASS 1
INSULATORS	PTFE, ASTM D1710, TYPE I, GRADE 1, CLASS A	
SMA BODY, COUPLING NUT	303 CRES, ASTM A582	PASSIVATE, AMS-QQ-P-35

PART NO. MADP-6537

OUTLINE DRAWING



MICRO-MODE PRODUCTS, INC.  
*The Reliable Connection to the Future*

El Cajon, CA 92020  
ph 619.449.3844  
www.micromode.com

CAGE CODE  
15907

ASSY PROCEDURES: N/A		MSSP FEMALE TO SMA PLUG ADAPTER	
INSERTION/EXTRACTION TOOL: N/A			
SHEET 1 OF 1		PART NO.	REVISION
OL6537 12-6-01 RF EB		MADP-6537	B

# Mouser Electronics

Authorized Distributor

Click to View Pricing, Inventory, Delivery & Lifecycle Information:

[Micro-Mode:](#)

[MADP-6537](#)