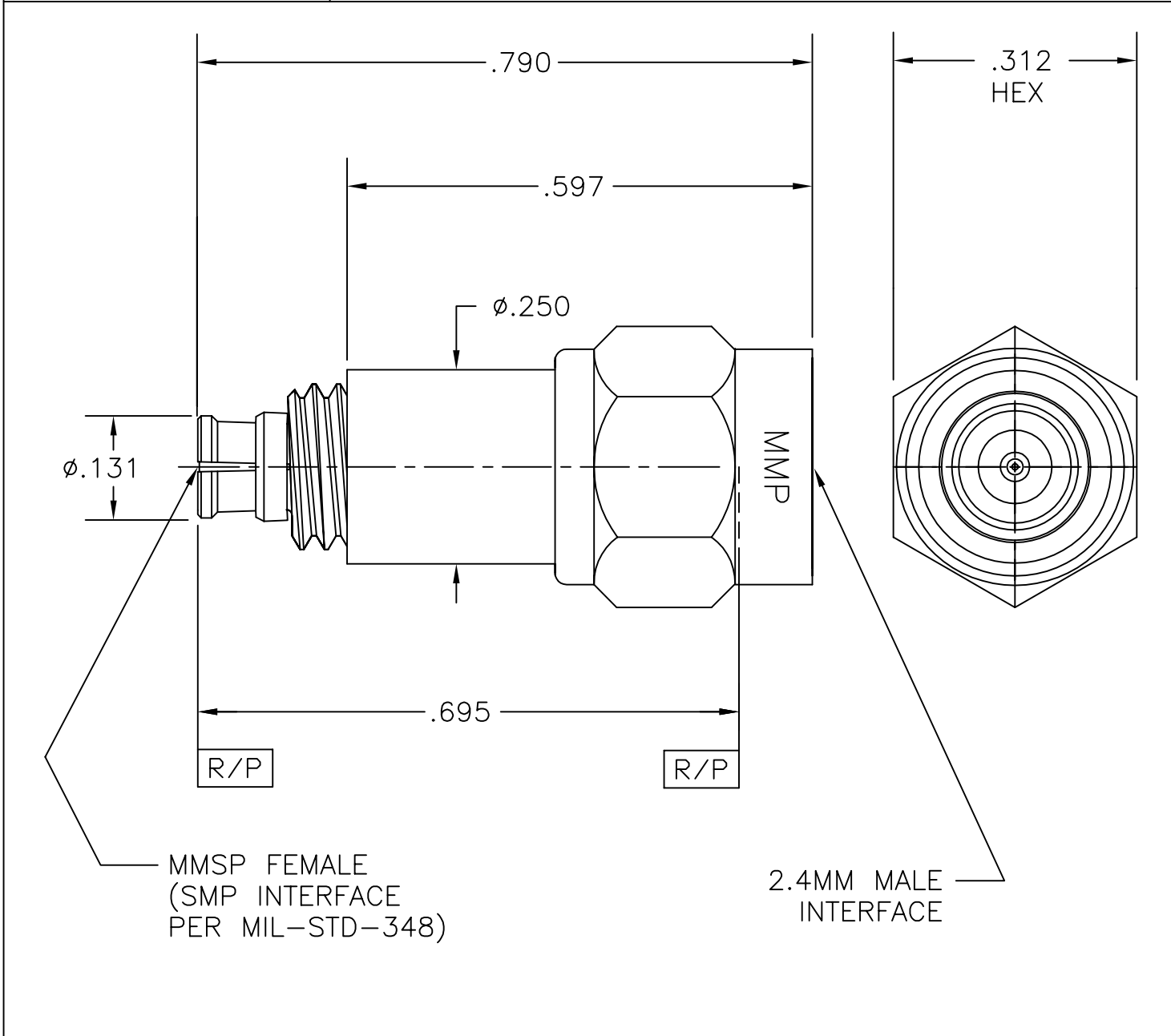


COMPONENT	MATERIAL AND FINISH	
2.4MM BODY, CONTACT, INSERT, RETAINING RING, MMSP BODY & ANTI-ROCK RING	BeCu, ASTM B196, UNS C17300	GOLD PLATE, MIL-G-45204, TYPE 1, GRADE C, CLASS 1
INSULATORS	PTFE, ASTM D1710, TYPE I, GRADE 1, CLASS A	
COUPLING NUT	303 CRES, ASTM A582	PASSIVATE, AMS-QQ-P-35

PART NO. MADP-6138

OUTLINE DRAWING



 MICRO-MODE PRODUCTS, INC. <i>The Reliable Connection to the Future</i>	El Cajon, CA 92020 ph 619.449.3844 www.micromode.com	CAGE CODE 15907
	ASSY PROCEDURES: N/A INSERTION/EXTRACTION TOOL: N/A	

MMSP FEMALE TO 2.4MM MALE ADAPTER	
PART NO. MADP-6138	REVISION B
SHEET 1 OF 1 OL6138 11-19-98 PC	

Mouser Electronics

Authorized Distributor

Click to View Pricing, Inventory, Delivery & Lifecycle Information:

[Micro-Mode:](#)

[MADP-6138](#)