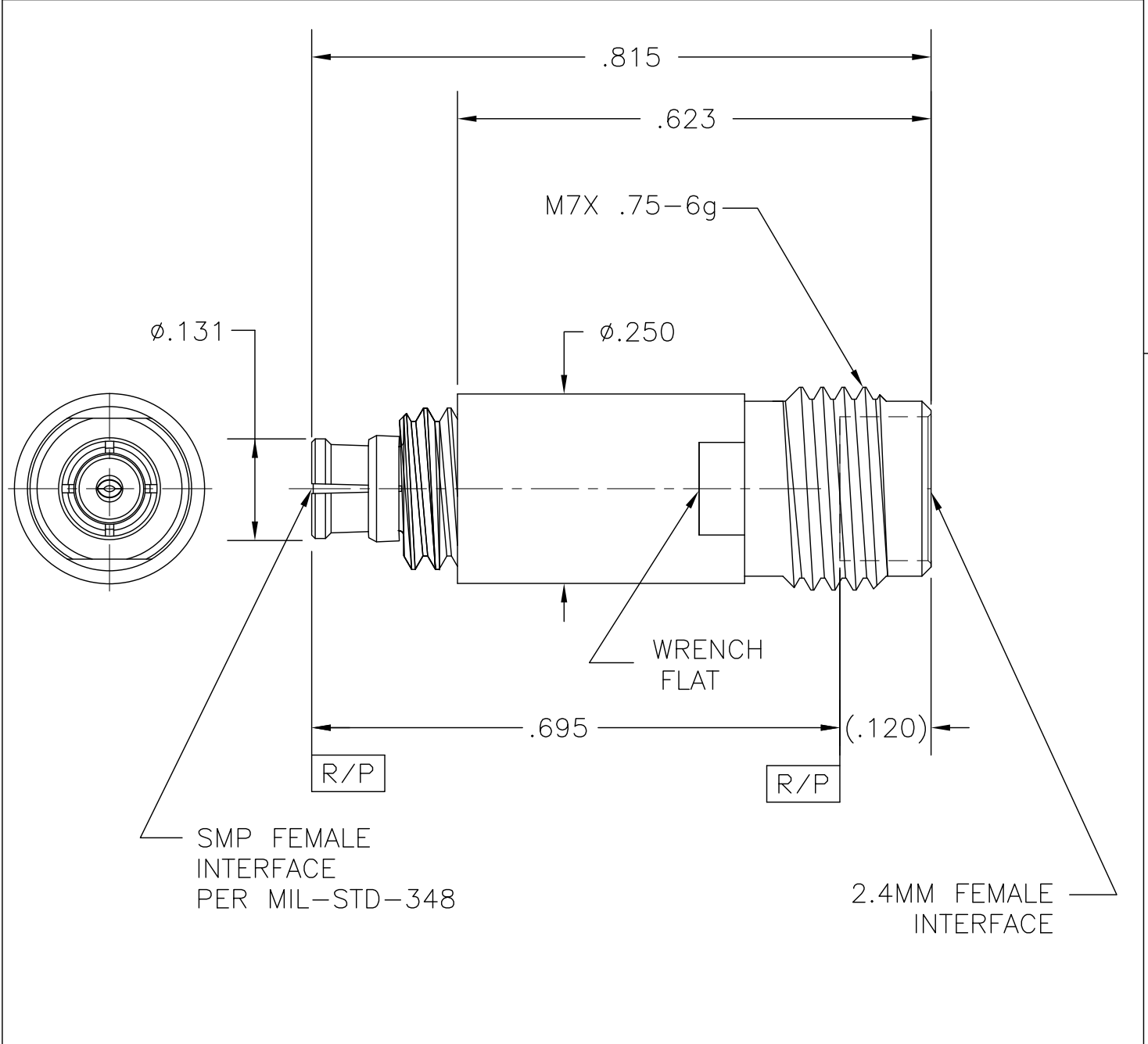



COMPONENT	MATERIAL AND FINISH	
2.4MM BODY, CONTACT, INSERT, MMSP BODY ANTI-ROCK RING	BeCu, ASTM B196, UNS C17300	GOLD PLATE, MIL-DTL-45204, TYPE 1, GRADE C, CLASS 1
INSULATORS	PTFE, ASTM D1710, TYPE I, GRADE 1, CLASS A	

PART NO. MADP-6135

OUTLINE DRAWING



	MICRO-MODE PRODUCTS, INC. <i>The Reliable Connection to the Future</i>	El Cajon, CA 92020 ph 619.449.3844 www.micromode.com	CAGE CODE 15907
ASSY PROCEDURES: N/A	MMSP (F) TO 2.4MM (F) ADAPTER		
INSERTION/EXTRACTION TOOL: N/A	PART NO.		REVISION
SHEET 1 OF 1	OL6135 11-19-98 PC	MADP-6135	F

Mouser Electronics

Authorized Distributor

Click to View Pricing, Inventory, Delivery & Lifecycle Information:

[Micro-Mode:](#)

[MADP-6135](#)