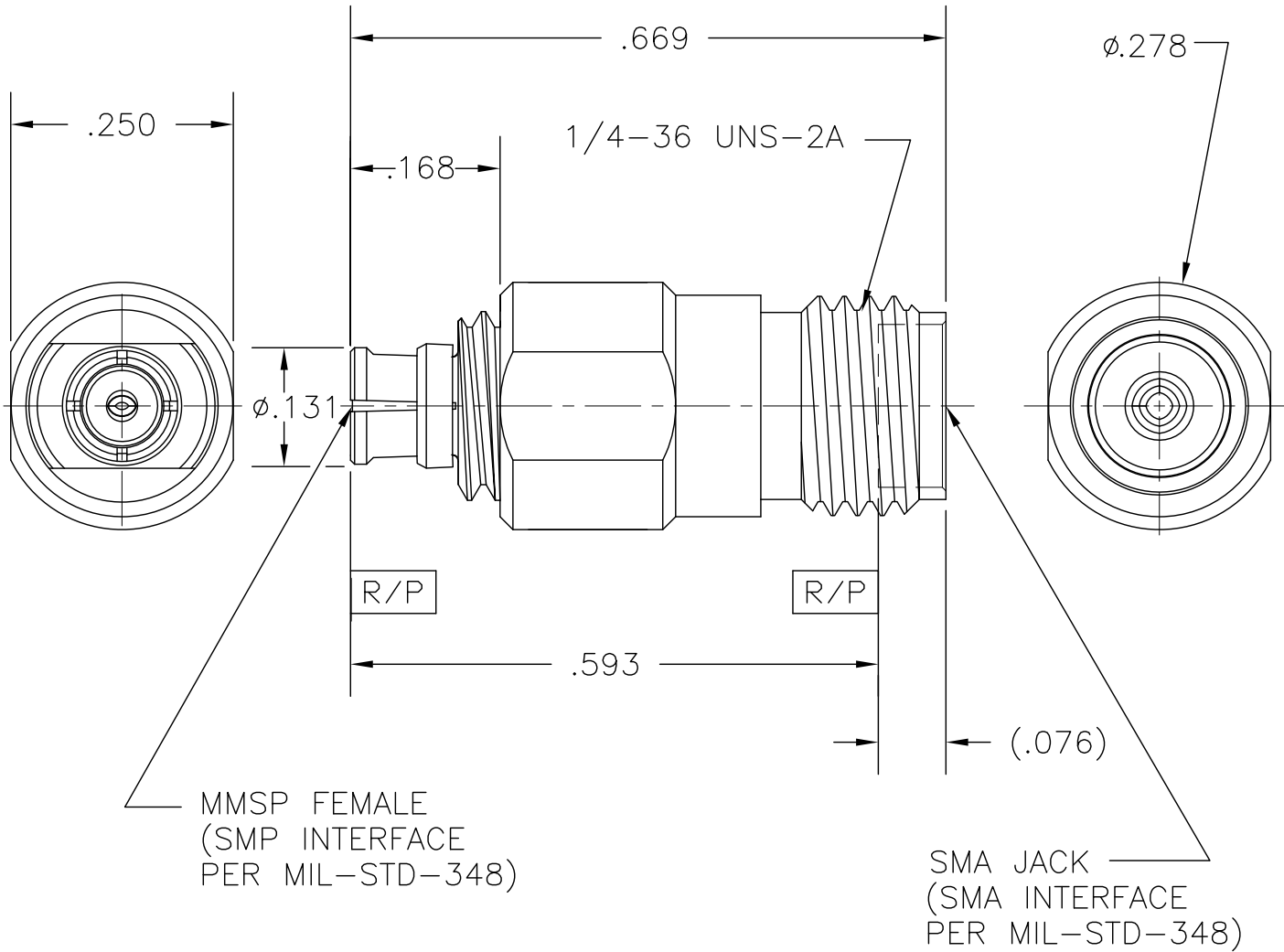


COMPONENT	MATERIAL AND FINISH	
BODY, CONTACT ANTI-ROCK RING	BeCu, ASTM B196, UNS C17300	GOLD PLATE, MIL-G-45204, TYPE 1, GRADE C, CLASS 1
INSULATORS	PTFE, ASTM D1710, TYPE I, GRADE 1, CLASS A	
BODY	303 CRES, ASTM A582	PASSIVATE, AMS-QQ-P-35

PART NO. MADP-6035

OUTLINE DRAWING



MICRO-MODE PRODUCTS, INC.
The Reliable Connection to the Future

El Cajon, CA 92020
ph 619.449.3844
www.micromode.com

CAGE CODE
15907

ASSY PROCEDURES: N/A	MMSP (F) TO SMA (J) ADAPTER		
INSERTION/EXTRACTION TOOL: MMTL-2681			
SHEET 1 OF 1	OL6035 8-11-98 MM PC	PART NO. MADP-6035	REVISION L

Mouser Electronics

Authorized Distributor

Click to View Pricing, Inventory, Delivery & Lifecycle Information:

[Micro-Mode:](#)

[MADP-6035](#)