

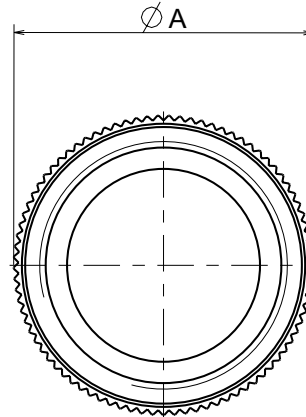
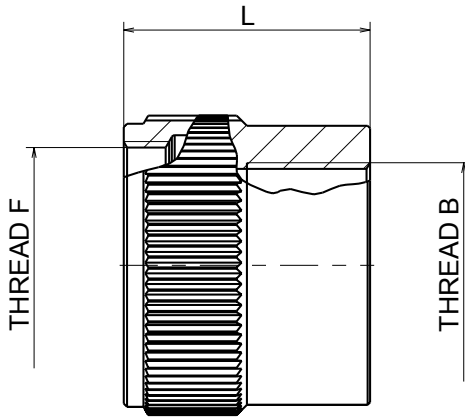
VBN SPARE BACKSHELLS

VBN-MXXA--

Adapter with metric internal thread.

Can be used on the 90° backshell.

Supplied with O-Ring



Part Number	Shell Size	ØA Max.	L	Thread B	Thread F
VBN-M12A16STXX	16S	26	27	M12x1.5	7/8"-20 UNEF
VBN-M16A16STXX				M16x1.5	
VBN-M20A16STXX				M20x1.5	
VBN-M16A18TXX	18	34	30	M16x1.5	1"-20 UNEF
VBN-M20A18TXX				M20x1.5	
VBN-M25A18TXX				M25x1.5	
VBN-M20A20TXX	20/22	36.5	27	M20x1.5	1 3/16"-18 UNEF
VBN-M25A20TXX		36.5	27	M25x1.5	
VBN-M32A20TXX		43	30	M32x1.5	
VBN-M25A24TXX	24/28	43	27	M25x1.5	1 7/16"-18 UNEF
VBN-M32A24TXX		43	27	M32x1.5	
VBN-M40A24TXX		54	38	M40x1.5	
VBN-M25A32TXX	32	50	27	M25x1.5	1 3/4"-18UNS
VBN-M32A32TXX		50	27	M32x1.5	
VBN-M40A32TXX		54	38	M40x1.5	
VBN-M32A36TXX	36	57.2	27	M32x1.5	2" -18UNS
VBN-M40A36TXX				M40x1.5	
VBN-M50A36TXX				M50x1.5	
VBN-M40A40TXX	40	65	27	M40x1.5	2 1/4"-16UN
VBN-M50A40TXX		65	27	M50x1.5	
VBN-M63A40TXX		69	31	M63x1.5	

For additional thread size please consult the factory. Add plating suffix to the part number

Dimensions shown in mm
Specifications and dimensions subject to change

Mouser Electronics

Authorized Distributor

Click to View Pricing, Inventory, Delivery & Lifecycle Information:

[ITT Cannon:](#)

[VBN-M16A16ST240](#)