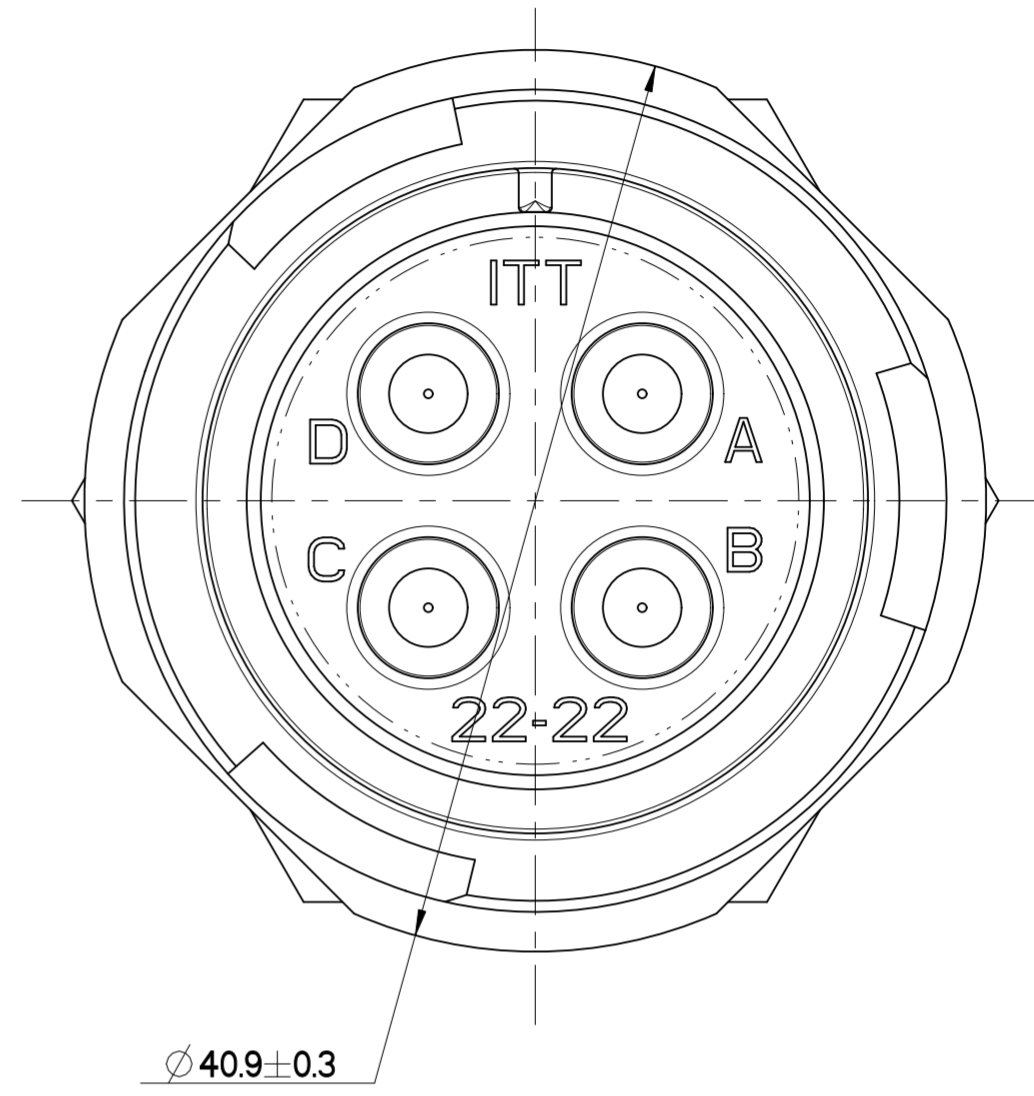
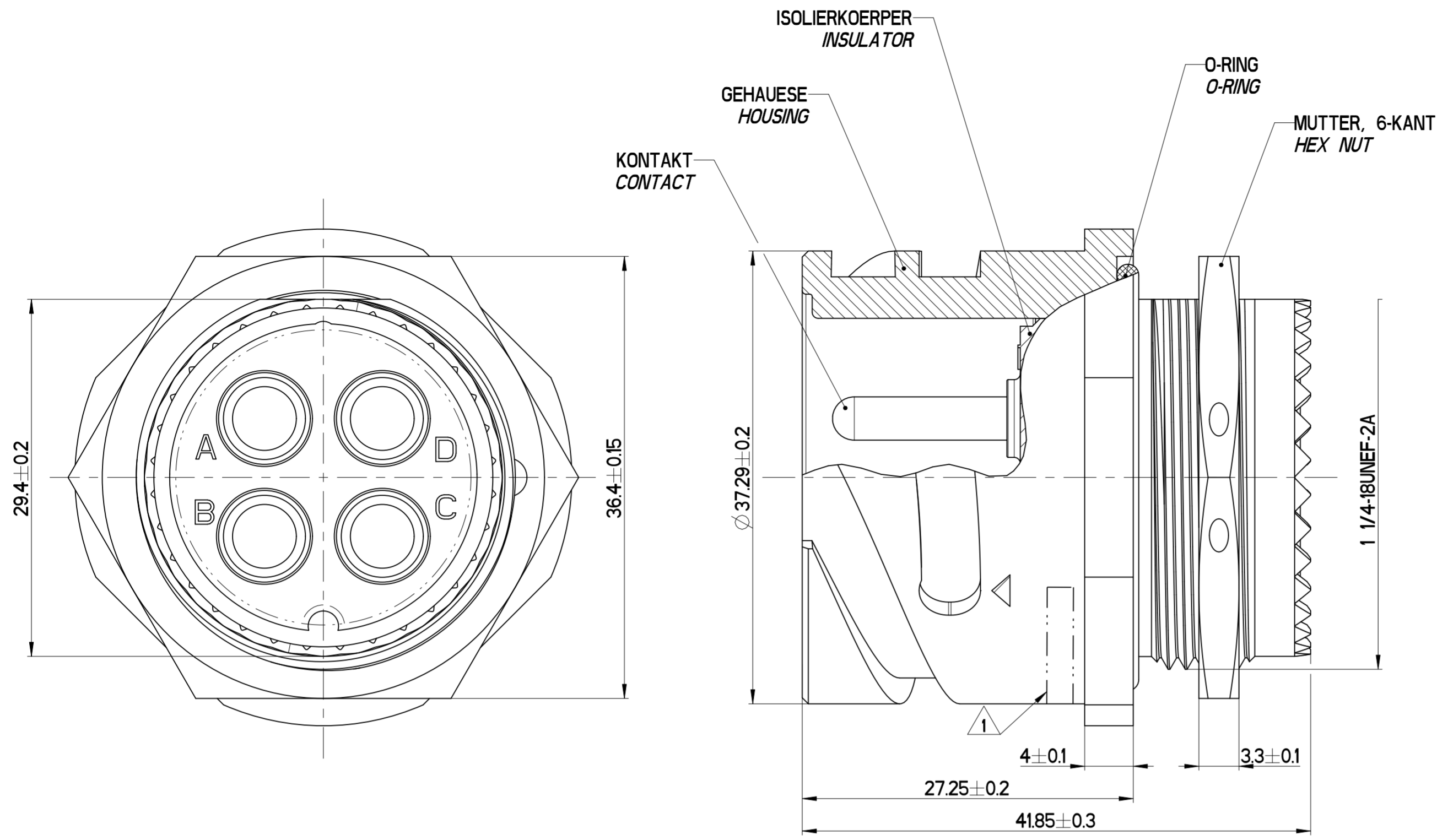
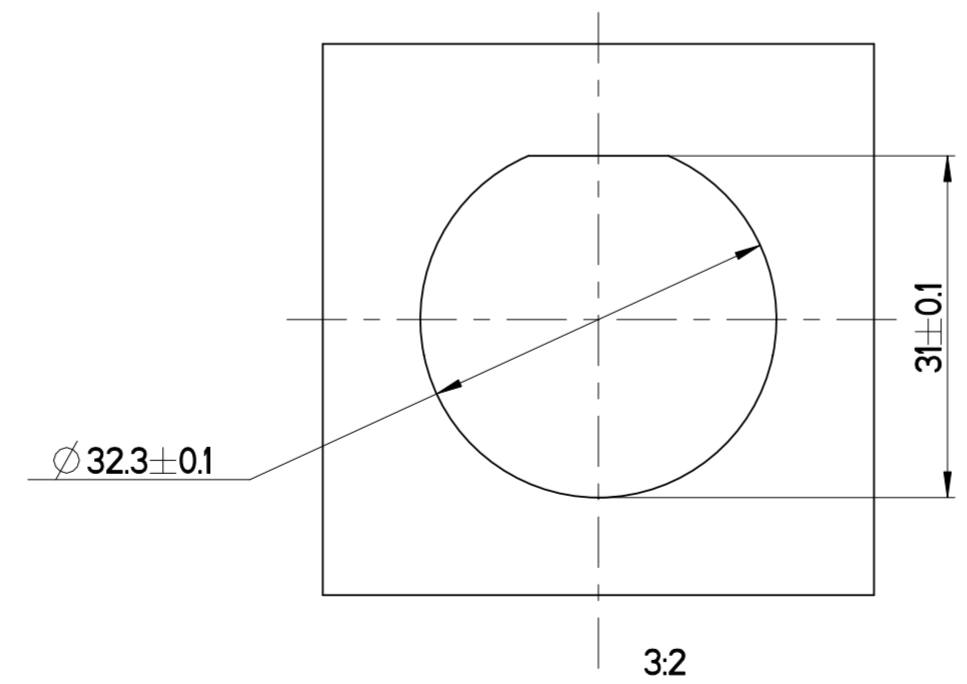


REV	REV.NO.	DESCRIPTION	DATE	DRAWN
-	-	NEW CREATED	01.08.2024	VS



WANDMONTAGEMASSE
WALL-MOUNTING DIMENSIONS



BEMERKUNGEN

⚠ FELD FUER KENNZEICHNUNG NACH CAS25009
FERTIGUNGSJAHR/-WOCHE
ITT CANNON
BESTELLBEZEICHNUNG: CA3101E22-22P-B-A232-F42-SPL

NOTES

⚠ AREA OF DESIGNATION ACC. TO CAS25009
YEAR AND WEEK OF MANUFACTURE
ITT CANNON
ORDER-DESIGNATION: CA3101E22-22P-B-A232-F42-SPL

BENENNUNG DESIGNATION	WERKSTOFF MATERIAL	OBERFLAECHE FINISH
GEHAUESE SHELL	Al-LEGIERUNG Al-ALLOY	A232: ZINK-COBALT SCHWARZ A232: ZINC-COBALT BLACK
MUTTER, 6-KANT HEX NUT		
KONTAKT CONTACT	Cu-LEGIERUNG Cu-ALLOY	A36: VERSILBERT A36: SILVER PLATED
ISOLIERKOERPER INSULATOR	CR-GUMMI CR-RUBBER	
O-RING O-RING		

MATERIAL: SIEHE TABELLE		TREATMENT: -		FINISH: SIEHE TABELLE	
FREE SIZE SEE TABULATION		ANGULAR TOLERANCE ± 0.5°		CRITICAL DIM ⚠ 0x	
DM IN MM	> 0-3 ±0.05	> 6-30 ±0.1	SURFACE FINISH Ra √ - μ		
EDGES AND CORNERS BURR-FREE	> 3-6 ±0.05	> 30 ±0.2	SPC DIM ▲ 0x		
DRAWN VS	DATE 06.08.2024	FILENAME 120010-0287-CU			
CHECKED GWE	DATE -	REFERENCE -			
APPROVAL -	DATE -	PART NUMBER -			
ITT Cannon GmbH D-71384 Weinstadt Germany		SCALE 3:1		TITLE CA3101E22-22P-B-A232-F42-SPL	
© THIS DRAWING AND ASSOCIATED DOCUMENTS AND THE CONTAINED INFORMATION ARE THE PROPERTY OF ITT INDUSTRIES. NO PARTS MAY BE REPRODUCED OR USED WITHOUT WRITTEN CONSENT OF THE OWNER.		FORMAT A2	SHEET 1 / 1	DRAWING-NO. 120010-0287-CU	REVISION -

BEST.-BEZEICHNUNG ORDER-DESIGNATION	SPL-BEZEICHNUNG SPL-DESIGNATION	SPL SPL
CAB120010-0287	CA3101E22-22P-B-A232-F42-SPL	MODIFIZIERTES GEHAUESE UND GEFRAESTES GEWINDE MIT SECHSKANT MUTTER MODIFIED HOUSING AND MILLED THREAD WIT HEX NUT

Mouser Electronics

Authorized Distributor

Click to View Pricing, Inventory, Delivery & Lifecycle Information:

[ITT Cannon:](#)

[CAB120010-0287](#)