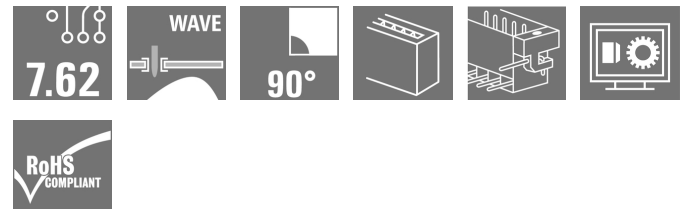


## OMNIMATE Power - series BL/SL 7.62HP SL 7.62HP/02/270LF 3.2SN BK BX

**Weidmüller Interface GmbH & Co. KG**  
Klingenbergstraße 16  
D-32758 Detmold  
Germany  
Fon: +49 5231 14-0  
Fax: +49 5231 14-292083  
www.weidmueller.com

### Product image



Similar to illustration

#### **Power on board - 100% safety, 100% integration, 100% cost-effectiveness:**

The compact, efficient solution for UL-600V applications in the lower performance range up to 12 kVA

- 29 A at 400 V (IEC)
- 20 A at 300 V (UL)
- Single compartment mating profile
- Clamping range: 0.08 - 4 mm<sup>2</sup> / AWG 28 - 12

Assisting in device approval:

- Meets the requirements for 600 V according to UL 508 / UL840.
- Meets the increased requirements on touch safety as per IEC68100-5-1

The slimming diet for multiple-stage device series:  
Reduce the size and cut costs in the high-volume lower performance range without compromising device approval!

Male header, 270° outlet angle with solder flanges

#### General ordering data

|              |   |
|--------------|---|
| Type         | SL 7.62HP/02/270LF 3.2SN BK BX  |
| Order No.    | <a href="#">1472360000</a>  |
| Version      | PCB plug-in connector, male header, Solder flange, THT solder connection, 7.62 mm, No. of poles: 2, 270°, Solder pin length (l): 3.2 mm, black, Box |
| GTIN (EAN)   | 4050118317510   |
| Qty.         | 100 pc(s).  |
| Product data | IEC: 630 V / 27.5 A<br>UL: 300 V / 20 A   |
| Packaging    | Box   |

**OMNIMATE Power - series BL/SL 7.62HP  
SL 7.62HP/02/270LF 3.2SN BK BX**

**Weidmüller Interface GmbH & Co. KG**  
Klingenbergstraße 16  
D-32758 Detmold  
Germany  
Fon: +49 5231 14-0  
Fax: +49 5231 14-292083  
www.weidmueller.com

**Technical data**
**Dimensions and weights**

|                          |            |                 |            |
|--------------------------|------------|-----------------|------------|
| Height                   | 11.6 mm    | Height (inches) | 0.457 inch |
| Height of lowest version | 8.4 mm     | Depth           | 11.75 mm   |
| Depth (inches)           | 0.463 inch | Net weight      | 1.3 g      |

**System specifications**

|  |                                      |  |                                 |
|--|--------------------------------------|--|---------------------------------|
| Product family                             | OMNIMATE Power - series BL/SL 7.62HP | Type of connection                           | Board connection                |
| Mounting onto the PCB                      | THT solder connection                | Pitch in mm (P)                              | 7.62 mm                         |
| Pitch in inches (P)                        | 0.3 inch                             | Outgoing elbow                               | 270°                            |
| No. of poles                               | 2                                    | Number of solder pins per pole               | 1                               |
| Solder pin length (l)                      | 3.2 mm                               | Solder pin dimensions                        | 1.0 x 1.0 mm                    |
| Solder eyelet hole diameter (D)            | 1.3 mm                               | Solder eyelet hole diameter tolerance (D)+   | 0,1 mm                          |
| L1 in mm                                   | 7.62 mm                              | L1 in inches                                 | 0.3 inch                        |
| Pin series quantity                        | 1                                    | Touch-safe protection acc. to DIN VDE 57 106 | Safe from finger touch, plugged |
| Touch-safe protection acc. to DIN VDE 0470 | IP20 plugged                         | Can be coded                                 | Yes                             |
| Tightening torque for screw flange, min.   | 0.15 Nm                              | Tightening torque for screw flange, max.     | 0.25 Nm                         |
| Plugging cycles                            | 25                                   |  |                                 |

**Material data**

|                                       |                            |                                       |                            |
|---------------------------------------|----------------------------|---------------------------------------|----------------------------|
| Insulating material                   | PA GF                      | Colour                                | black                      |
| Colour chart (similar)                | RAL 9011                   | Insulating material group             | II                         |
| CTI                                   | ≥ 500                      | Insulation strength                   | ≥ 10 <sup>8</sup> Ω        |
| UL 94 flammability rating             | V-0                        | GWFI                                  | 960 °C                     |
| Contact material                      | Copper alloy               | Layer structure of solder connection  | 2-3 μm Ni / 2-4 μm Sn matt |
| Layer structure of plug contact       | 2-3 μm Ni / 2-4 μm Sn matt | Storage temperature, min.             | -25 °C                     |
| Storage temperature, max.             | 55 °C                      | Max. relative humidity during storage | 80 %                       |
| Operating temperature, min.           | -50 °C                     | Operating temperature, max.           | 100 °C                     |
| Temperature range, installation, min. | -25 °C                     | Temperature range, installation, max. | 100 °C                     |

**Rated data acc. to IEC**

|   |                        |   |                   |
|---|------------------------|---|-------------------|
| tested acc. to standard   | IEC 60664-1, IEC 61984 | Rated current, min. no. of poles (Tu=20°C)                            | 27.5 A            |
| Rated current, max. no. of poles (Tu=20°C)                                | 27.5 A                 | Rated current, min. no. of poles (Tu=40°C)                            | 25 A              |
| Rated current, max. no. of poles (Tu=40°C)                                | 22 A                   | Rated voltage for surge voltage class / pollution degree II/2         | 630 V             |
| Rated voltage for surge voltage class / pollution degree III/2            | 500 V                  | Rated voltage for surge voltage class / pollution degree III/3        | 400 V             |
| Rated impulse voltage for surge voltage class/ pollution degree II/2      | 6 kV                   | Rated impulse voltage for surge voltage class/ pollution degree III/2 | 6 kV              |
| Rated impulse voltage for surge voltage class/ contamination degree III/3 | 4 kV                   | Short-time withstand current resistance                               | 3 x 1s with 180 A |
| Clearance, min.   | 6.5 mm                 | Creepage distance, min.   | 8.1 mm            |

**Rated data acc. to CSA**

|                                   |       |                                   |       |
|-----------------------------------|-------|-----------------------------------|-------|
| Rated voltage (Use group B / CSA) | 300 V | Rated voltage (Use group C / CSA) | 300 V |
| Rated voltage (Use group D / CSA) | 600 V | Rated current (Use group B / CSA) | 20 A  |
| Rated current (Use group C / CSA) | 20 A  | Rated current (Use group D / CSA) | 5 A   |

Creation date May 16, 2019 10:11:50 AM CEST

**OMNIMATE Power - series BL/SL 7.62HP  
SL 7.62HP/02/270LF 3.2SN BK BX**

**Weidmüller Interface GmbH & Co. KG**  
Klingenbergstraße 16  
D-32758 Detmold  
Germany  
Fon: +49 5231 14-0  
Fax: +49 5231 14-292083  
www.weidmueller.com

**Technical data**

**Rated data acc. to UL 1059**

Institute (cURus)



Certificate No. (cURus)

E60693

|                                       |  |                                       |         |
|---------------------------------------|--|---------------------------------------|---------|
| Rated voltage (Use group B / UL 1059) | 300 V  | Rated voltage (Use group C / UL 1059) | 300 V   |
| Rated voltage (Use group D / UL 1059) | 600 V  | Rated current (Use group B / UL 1059) | 20 A    |
| Rated current (Use group C / UL 1059) | 20 A   | Rated current (Use group D / UL 1059) | 5 A     |
| Clearance distance, min.              | 6.5 mm   | Creepage distance, min.               | 11.2 mm |
| Reference to approval values          | Specifications are maximum values, details - see approval certificate. |                                       |         |

**Packing**

|           |        |            |        |
|-----------|--------|------------|--------|
| Packaging | Box    | VPE length | 55 mm  |
| VPE width | 120 mm | VPE height | 165 mm |

**Classifications**

|            |             |            |             |
|------------|-------------|------------|-------------|
| ETIM 4.0   | EC002637    | ETIM 5.0   | EC002637    |
| ETIM 6.0   | EC002637    | eClass 6.2 | 27-26-07-04 |
| eClass 7.1 | 27-44-04-02 | eClass 8.1 | 27-44-04-02 |
| eClass 9.0 | 27-44-04-02 | eClass 9.1 | 27-44-04-02 |

**Notes**

Notes

- Additional colours on request
- Gold-plated contact surfaces on request
- Rated current related to rated cross-section & min. No. of poles.
- P on drawing = pitch
- Rated data refer only to the component itself. Clearance and creepage distances to other components are to be designed in accordance with the relevant application standards.

IPC conformity

Conformity: The products are developed, manufactured and delivered according international recognized standards and norms and comply with the assured properties in the data sheet resp. fulfill decorative properties in accordance with IPC-A-610 "Class 2". Further claims on the products can be evaluated on request.

**Approvals**

Approvals



ROHS

Conform

**Data sheet****OMNIMATE Power - series BL/SL 7.62HP  
SL 7.62HP/02/270LF 3.2SN BK BX**

**Weidmüller Interface GmbH & Co. KG**  
Klingenbergstraße 16  
D-32758 Detmold  
Germany  
Fon: +49 5231 14-0  
Fax: +49 5231 14-292083  
www.weidmueller.com

**Technical data****Downloads**

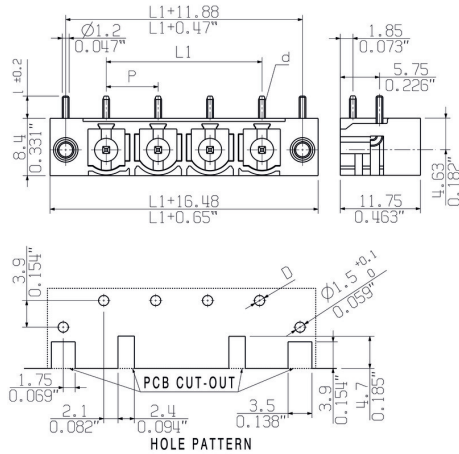
|   |  |
|---|--|
| Approval/Certificate/Document of Conformity | <a href="#">Declaration of the Manufacturer</a>  |
| Brochure/Catalogue                          | <a href="#">FL DRIVES EN</a><br><a href="#">MB DEVICE MANUF. EN</a><br><a href="#">FL DRIVES DE</a><br><a href="#">FL HEATING ELECTR EN</a><br><a href="#">FL APPL INVERTER EN</a><br><a href="#">FL_BASE_STATION_EN</a><br><a href="#">FL ELEVATOR EN</a><br><a href="#">FL POWER SUPPLY EN</a><br><a href="#">FL 72H SAMPLE SER EN</a><br><a href="#">PO OMNIMATE EN</a> |
| Engineering Data                            | <a href="#">EPLAN_WSCAD</a>  |
| Motion controllers white paper              | <a href="#">Download Whitepaper</a>  |
| White Paper UL 600 V                        | <a href="#">Download Whitepaper</a>  |

**OMNIMATE Power - series BL/SL 7.62HP  
SL 7.62HP/02/270LF 3.2SN BK BX**

**Weidmüller Interface GmbH & Co. KG**  
 Klingenbergstraße 16  
 D-32758 Detmold  
 Germany  
 Fon: +49 5231 14-0  
 Fax: +49 5231 14-292083  
 www.weidmueller.com

**Drawings**

**Dimensional drawing**



Customer drawing

## Recommended wave soldering profiles

**Weidmüller Interface GmbH & Co. KG**  
 Klängenbergstraße 16  
 D-32758 Detmold  
 Germany  
 Fon: +49 5231 14-0  
 Fax: +49 5231 14-292083  
 www.weidmueller.com

### Single Wave:



### Double Wave:



### Wave soldering profiles

Wired connection elements should be processed in accordance with the DIN EN 61760-1 standard. We have included two recommendations for practical wave soldering profiles, with which Weidmüller PCB terminals and connectors are qualified.

When choosing a suitable profile for your application, the following factors also need to be considered:

- PCB thickness
- Proportion of Cu in the layers
- Single/double-sided assembly
- Product range
- Heating and cooling rates

The single and double wave profiles each indicate the recommended operating range, including the maximum soldering temperature of 260°C. In practice, the maximum soldering temperature is quite often well below the above maximum profile.

# Mouser Electronics

Authorized Distributor

Click to View Pricing, Inventory, Delivery & Lifecycle Information:

[Weidmuller:](#)

[1472360000](#)