

## KLIPPON K5 RAL7001

**Weidmüller Interface GmbH & Co. KG**

Klingenbergstraße 26

D-32758 Detmold

Germany

[www.weidmueller.com](http://www.weidmueller.com)

### Similar to illustration



The aluminium Klippon® K enclosures are suitable for use in an extremely wide range of different areas. Various components can be installed inside the enclosures, and will benefit in particular from the high temperature resistance, the excellent IP protection and the good impact resistance.

No matter what kind of application the customer is planning, Weidmüller is able to provide a wide range of aluminium enclosures precisely fitting the customer's requirements.

Klippon® K enclosures for hazardous areas are available on request.

Our extensive product range offers the following advantages:

- Available in two surface finishes: natural and powder-coated (RAL 7001)
- With chloroprene moulded seal as standard (silicone moulded seal optionally available)
- Standardised closure system with Torx slotted screw head for 19 enclosure sizes
- Mounting holes outside of the gasket area
- High IP protection classes: IP66, IP67 and IP68 according to DIN EN 60529
- Impact resistance of up to 7 (10) Joules
- The enclosures are approved according ATEX, IECEx, EAC, cULus, Russian Maritime Register and DNV GL as well as the empty enclosure standard.

- Suitable for railway applications according to EN 45545-2:2013
- Alloy is resistant to salt water
- Standardised distributor enclosures with threaded holes and a variety of terminal configurations

### General ordering data

|                         |  |
|-------------------------|--|
| Version                 | Klippon K (aluminium empty enclosure), Empty enclosure, Aluminium enclosure, Height: 130 mm, Width: 170 mm, Depth: 90 mm, Material: Aluminium AlSi12, Powder-coated, textured, Silver grey |
| Order No.               | <a href="#">9529210000</a>   |
| Type                    | KLIPPON K5 RAL7001   |
| GTIN (EAN)              | 4008190918101  |
| Qty.                    | 1 pc(s).   |
| Unassembled to fit rail | <a href="#">1910080000</a>   |

Creation date January 30, 2022 8:19:03 PM CET

## KLIPPON K5 RAL7001

**Weidmüller Interface GmbH & Co. KG**

Klingenbergstraße 26

D-32758 Detmold

Germany

www.weidmueller.com

## Technical data

### Dimensions and weights

|                             |         |                            |            |
|-----------------------------|---------|----------------------------|------------|
| Depth                       | 90 mm   | Depth (inches)             | 3.543 inch |
| Height                      | 130 mm  | Height (inches)            | 5.118 inch |
| Width                       | 170 mm  | Width (inches)             | 6.693 inch |
| Mounting dimension - height | 110 mm  | Mounting dimension - width | 150 mm     |
| Weight                      | 1,540 g | Net weight                 | 1,405 g    |

### Temperatures

Operating temperature -40 °C...80 °C

### Environmental Product Compliance

REACH SVHC Lead 7439-92-1

### Cable glands, left

|     |   |     |   |
|-----|---|-----|---|
| M12 | 4 | M16 | 2 |
| M20 | 1 | M25 | 1 |
| M32 | 1 |     |   |

### Cable glands, right

|     |   |     |   |
|-----|---|-----|---|
| M12 | 4 | M16 | 2 |
| M20 | 1 | M25 | 1 |
| M32 | 1 |     |   |

### Cable glands, top/bottom

|     |    |     |   |
|-----|----|-----|---|
| M12 | 11 | M16 | 8 |
| M20 | 4  | M25 | 3 |
| M32 | 2  |     |   |

### Certificate numbers enclosure

|   |   |  |                      |
|---|---|--|----------------------|
| Approval conditions                     | cULus, RMRS, DNV                          | Certificate No. (DNVGL)                | TAE00002SM           |
| Certificate No. (EAC)                   | C-DE.HB07.B.00089-20                      | Certificate No. (GERMLLOYD)            | TAE00002SM           |
| Certificate No. (MARITREG)              | 19.00108.272                              | Certificate no. (cULus)                | E197061              |
| Certificate no. Terminal Box (EAC)      | C-DE.AД54.B.00251/19<br>Ind. Terminal Box | Certificate no., empty enclosure (EAC) | C-DE.HB07.B.00089/20 |
| Declaration of Conformity No. (DoC LVD) | DE_PS2410_160412_001ISS01                 |  |                      |

## KLIPPON K5 RAL7001

Weidmüller Interface GmbH &amp; Co. KG

Klingenbergstraße 26

D-32758 Detmold

Germany

www.weidmueller.com

## Technical data

## General information

|                                 |  |                             |   |
|---------------------------------|--|-----------------------------|---|
| Access opening: height          | 120.8 mm   | Access opening: width       | 160.8 mm                                    |
| Areas of use                    | Process industry,<br>Transportation, Marine<br>engineering, Packaging<br>industry, Harbour facilities,<br>Machine construction | Enclosure attachment        |   |
| Flange plate                    | No   | Halogen                     | No (only contained in the<br>seal)          |
| Impact resistance               | 10.00 J  | Integral fixing             | Threaded holes M5                           |
| Lid                             | Yes  | Lid attachment              | M5 torx stainless steel<br>screws with slot |
| Material                        | Aluminium AlSi12   | Material thickness of cover | 3 mm  |
| Material thickness of enclosure | 4.6 mm   | Note: protection class      | IP68 (t=72h, h=1m)                          |
| Number of lid screws            | 4  | Operating temperature, max. | 80 °C                                       |
| Operating temperature, min.     | -40 °C   | Protection class (UL)       | Type 4, Type 4x                             |
| Protection degree               | IP66, IP67, IP68   | Seal material               | Chloroprene                                 |
| Standards                       | EN 45545-2:2013  | Surface finish              | Powder-coated, textured                     |
| Torque for lid screws           | 2.5 Nm   |                             |   |

## horizontal assembly

|                             |      |                 |      |
|-----------------------------|------|-----------------|------|
| WDU 10 / ZDU 10             | 1x10 | WDU 16 / ZDU 16 | 1x8  |
| WDU 2,5 / ZDU 2,5 / IDU 2,5 | 1x20 | WDU 4 / ZDU 4   | 1x17 |
| WDU 6 / ZDU 6               | 1x12 |                 |      |

## vertical assembly

|                             |   |               |   |
|-----------------------------|---|---------------|---|
| WDU 2,5 / ZDU 2,5 / IDU 2,5 | * | WDU 4 / ZDU 4 | * |
|-----------------------------|---|---------------|---|

## Classifications

|             |             |             |             |
|-------------|-------------|-------------|-------------|
| ETIM 6.0    | EC000261    | ETIM 7.0    | EC000261    |
| ETIM 8.0    | EC000261    | ECLASS 9.0  | 27-18-01-01 |
| ECLASS 9.1  | 27-18-92-90 | ECLASS 10.0 | 27-18-01-01 |
| ECLASS 11.0 | 27-18-01-01 |             |             |

## Approvals

Approvals



|                       |         |
|-----------------------|---------|
| ROHS                  | Conform |
| UL File Number Search | E197061 |

## KLIPPON K5 RAL7001

**Weidmüller Interface GmbH & Co. KG**  
Klingenbergstraße 26  
D-32758 Detmold  
Germany

[www.weidmueller.com](http://www.weidmueller.com)

## Technical data

### Downloads

|   |  |
|---|--|
| Approval/Certificate/Document of Conformity | <a href="#">C-DE.A154.B.00251.19 Ind. Terminal Box</a><br><a href="#">RUC-DE.BE02.B.00173</a><br><a href="#">TAE00002SM</a><br><a href="#">19.00108.272</a><br><a href="#">EU Declaration of Conformity - Klippon K Empty Enclosures - DoC DE PS2410 160412 001ISS02</a><br><a href="#">DoM Klippon K salt water resistance</a><br><a href="#">DoM Klippon K EN 45545-2 2013 Railway</a> |
| Engineering Data                            | <a href="#">CAD data – STEP</a>  |
| Engineering Data                            | <a href="#">EPLAN, WSCAD</a>   |
| Tender specification                        | <a href="#">Klippon K5 RAL7001_9529210000_DE</a><br><a href="#">Klippon K5 RAL7001_9529210000_EN</a>   |
| User Documentation                          | <a href="#">Assembly guidelines - empty enclosures</a>   |
| Catalogues                                  | <a href="#">Catalogues in PDF-format</a>   |
| Brochures                                   | <a href="#">MB KLIPPON ENCL.TECN EN</a><br><a href="#">FL RAILWAY 2014 EN</a><br><a href="#">FL RAILWAY 2014 EN</a>  |

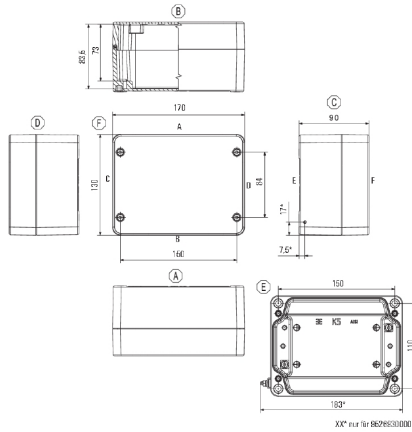
**KLIPPON K5 RAL7001**

**Weidmüller Interface GmbH & Co. KG**  
 Klingenbergstraße 26  
 D-32758 Detmold  
 Germany

[www.weidmueller.com](http://www.weidmueller.com)

**Drawings**

**Dimensioned drawing**



**KLIPPON K5 RAL7001**

**Weidmüller Interface GmbH & Co. KG**  
 Klingenbergstraße 26  
 D-32758 Detmold  
 Germany

www.weidmueller.com

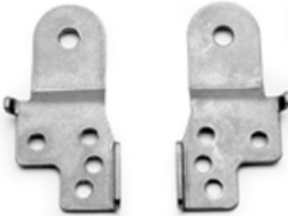
**Accessories****Depth 7.5 mm**

The system accessories for the Klippon® K enclosure series allows you to easily adapt the enclosures to meet the specific requirements of every application.

- DIN Rails TS 35 and TS 15
- Mounting plates
- Hinges
- Wall-mounted holder

**General ordering data**

|            |                            |  |
|------------|----------------------------|--|
| Type       | TS35/148 KLIPPON K5 CSS    | Version  |
| Order No.  | <a href="#">1910080000</a> | Rail, TS 35, TS 35 x 7.5, Width: 148 mm, without slot, Steel,          |
| GTIN (EAN) | 4032248536993              | galvanized, chromium-plated  |
| Qty.       | 1 pc(s).                   |  |
| Type       | TS35X7.5 ST K5             | Version  |
| Order No.  | <a href="#">8000003902</a> | Rail, TS 35, TS 35 x 7.5, Width: 148 mm, without slot, Steel, galvanic |
| GTIN (EAN) | 4050118652635              | zinc plated and passivated   |
| Qty.       | 20 pc(s).                  |  |

**Klippon® K - Wall-mounted holder**

The system accessories for the Klippon® K enclosure series allows you to easily adapt the enclosures to meet the specific requirements of every application.

- DIN Rails TS 35 and TS 15
- Mounting plates
- Hinges
- Wall-mounted holder

**General ordering data**

|            |                            |  |
|------------|----------------------------|--|
| Type       | KLIPPON K MF KIT 16        | Version  |
| Order No.  | <a href="#">9529080000</a> | Klippon K (aluminium empty enclosure), Mounting foot, Fixing lugs, |
| GTIN (EAN) | 4008190916299              | Material: Stainless steel 1.4301, silver                           |
| Qty.       | 1 pc(s).                   |  |

## KLIPPON K5 RAL7001

**Weidmüller Interface GmbH & Co. KG**  
 Klingenbergstraße 26  
 D-32758 Detmold  
 Germany

www.weidmueller.com

## Accessories

## Depth 15 mm



The system accessories for the Klippon® K enclosure series allows you to easily adapt the enclosures to meet the specific requirements of every application.

- DIN Rails TS 35 and TS 15
- Mounting plates
- Hinges
- Wall-mounted holder

## General ordering data

| Type       | TS35X15 ST K5              | Version   |
|------------|----------------------------|---|
| Order No.  | <a href="#">8000073093</a> | Rail, TS 35, TS 35 x 15, Width: 148 mm, Steel, galvanic zinc plated |
| GTIN (EAN) | 4064675337034              | and passivated  |
| Qty.       | 20 pc(s).                  |   |

## Klippon® K - Mounting plates



The system accessories for the Klippon® K enclosure series allows you to easily adapt the enclosures to meet the specific requirements of every application.

- DIN Rails TS 35 and TS 15
- Mounting plates
- Hinges
- Wall-mounted holder

## General ordering data

| Type       | MOPL K5 STAHL              | Version  |
|------------|----------------------------|--|
| Order No.  | <a href="#">3073080000</a> | Klippon K (aluminium empty enclosure), Mounting plate, Mounting    |
| GTIN (EAN) | 4008190858018              | plate, Height: 110 mm, Width: 150 mm, Depth: 2 mm, Material: Sheet |
| Qty.       | 1 pc(s).                   | steel, galvanized, galvanized, silver                              |

**KLIPPON K5 RAL7001**

**Weidmüller Interface GmbH & Co. KG**  
 Klingenbergstraße 26  
 D-32758 Detmold  
 Germany

www.weidmueller.com

**Accessories**
**Spacer**

**Integrate, expand and customise: The ideal expansion for every application**

The consistent structure of accessories for the Klippon® EBi enclosure range means that you can easily adapt the enclosure to the specific requirements of each application.

**General ordering data**

|            |                            |  |
|------------|----------------------------|--|
| Type       | SP M6 30 MSZN              | Version  |
| Order No.  | <a href="#">3896300000</a> | Klippon EBi (Essential Box industrial), Spacer, Height: 30 mm, |
| GTIN (EAN) | 4008190850241              | Material: Steel, silver  |
| Qty.       | 2 pc(s).                   |  |
| Type       | SP M6 20 MSZN              | Version  |
| Order No.  | <a href="#">3896200000</a> | Klippon EBi (Essential Box industrial), Spacer, Height: 20 mm, |
| GTIN (EAN) | 4008190850234              | Material: Steel, silver  |
| Qty.       | 2 pc(s).                   |  |
| Type       | SP M6 15 MSZN              | Version  |
| Order No.  | <a href="#">3896100000</a> | Klippon EBi (Essential Box industrial), Spacer, Height: 15 mm, |
| GTIN (EAN) | 4008190857851              | Material: Steel, silver  |
| Qty.       | 1 pc(s).                   |  |

**Klippon® K - Hinge**


The system accessories for the Klippon® K enclosure series allows you to easily adapt the enclosures to meet the specific requirements of every application.

- DIN Rails TS 35 and TS15
- Mounting plates
- Hinges
- Wall-mounted holder

**General ordering data**

|            |                            |   |
|------------|----------------------------|---|
| Type       | HG K+POK                   | Version   |
| Order No.  | <a href="#">1580360000</a> | Klippon POK (polyester empty enclosure), External joint, Hinge, |
| GTIN (EAN) | 4008190203542              | Material: Aluminium AlSi12, silver                              |
| Qty.       | 1 pc(s).                   |   |



**KLIPPON K5 RAL7001**

**Weidmüller Interface GmbH & Co. KG**  
Klingenbergstraße 26  
D-32758 Detmold  
Germany

[www.weidmueller.com](http://www.weidmueller.com)

**Accessories****Screws**

Depending on the terminal block or also accessories, we offer different types of screws as additional items or also spare parts.

**General ordering data**

|            |                            |   |
|------------|----------------------------|---|
| Type       | FKSC M5X8 D9/SW2.5         | Version   |
| Order No.  | <a href="#">0295900000</a> | SAK Series, Allen hex screw, Screws, Number of poles: 1 |
| GTIN (EAN) | 4008190133337              |   |
| Qty.       | 50 pc(s).                  |   |

# Mouser Electronics

Authorized Distributor

Click to View Pricing, Inventory, Delivery & Lifecycle Information:

[Weidmuller:](#)

[9529210000](#)