

## KLIPPON K32 RAL7001

**Weidmüller Interface GmbH & Co. KG**

Klingenbergstraße 26

D-32758 Detmold

Germany

[www.weidmueller.com](http://www.weidmueller.com)

### Similar to illustration



The aluminium Klippon® K enclosures are suitable for use in an extremely wide range of different areas. Various components can be installed inside the enclosures, and will benefit in particular from the high temperature resistance, the excellent IP protection and the good impact resistance.

No matter what kind of application the customer is planning, Weidmüller is able to provide a wide range of aluminium enclosures precisely fitting the customer's requirements.

Klippon® K enclosures for hazardous areas are available on request.

Our extensive product range offers the following advantages:

- Available in two surface finishes: natural and powder-coated (RAL 7001)
- With chloroprene moulded seal as standard (silicone moulded seal optionally available)
- Standardised closure system with Torx slotted screw head for 19 enclosure sizes
- Mounting holes outside of the gasket area
- High IP protection classes: IP66, IP67 and IP68 according to DIN EN 60529
- Impact resistance of up to 7 (10) Joules
- The enclosures are approved according ATEX, IECEx, EAC, cULus, Russian Maritime Register and DNV GL as well as the empty enclosure standard.

- Suitable for railway applications according to EN 45545-2:2013
- Alloy is resistant to salt water
- Standardised distributor enclosures with threaded holes and a variety of terminal configurations

### General ordering data

|            |   |
|------------|---|
| Version    | Klippon K (aluminium empty enclosure), Empty enclosure, Aluminium enclosure, Height: 80 mm, Width: 250 mm, Depth: 55 mm, Material: Aluminium AlSi12, Powder-coated, textured, Silver grey |
| Order No.  | <a href="#">9529180000</a>  |
| Type       | KLIPPON K32 RAL7001   |
| GTIN (EAN) | 4008190919009   |
| Qty.       | 1 pc(s).  |

Creation date January 30, 2022 8:21:34 PM CET

Catalogue status 14.01.2022 / We reserve the right to make technical changes.

## KLIPPON K32 RAL7001

**Weidmüller Interface GmbH & Co. KG**  
 Klingenbergstraße 26  
 D-32758 Detmold  
 Germany

www.weidmueller.com

## Technical data

### Dimensions and weights

|                             |        |                            |            |
|-----------------------------|--------|----------------------------|------------|
| Depth                       | 55 mm  | Depth (inches)             | 2.165 inch |
| Height                      | 80 mm  | Height (inches)            | 3.15 inch  |
| Width                       | 250 mm | Width (inches)             | 9.842 inch |
| Mounting dimension - height | 52 mm  | Mounting dimension - width | 238 mm     |
| Weight                      | 710 g  | Net weight                 | 790 g      |

### Temperatures

Operating temperature -40 °C...80 °C

### Environmental Product Compliance

REACH SVHC Lead 7439-92-1

### Cable glands, left

|     |   |     |   |
|-----|---|-----|---|
| M12 | 2 | M16 | 2 |
| M20 | 1 |     |   |

### Cable glands, right

|     |   |     |   |
|-----|---|-----|---|
| M12 | 2 | M16 | 2 |
| M20 | 1 |     |   |

### Cable glands, top/bottom

|     |    |     |   |
|-----|----|-----|---|
| M12 | 15 | M16 | 9 |
| M20 | 7  | M25 | 6 |

### Certificate numbers enclosure

|  |   |  |                      |
|--|---|--|----------------------|
| Approval conditions                      | cULus, RMRS, DNV                          | Certificate No. (DNVGL)                | TAE00002SM           |
| Certificate No. (EAC)                    | C-DE.AB54.B.00251.19                      | Certificate No. (GERMLLOYD)            | TAE00002SM           |
| Certificate No. (MARITREG)               | 19.00108.272                              | Certificate no. (cULus)                | E197061              |
| Certificate no. Terminal Box (EAC)       | C-DE.AB54.B.00251/19<br>Ind. Terminal Box | Certificate no., empty enclosure (EAC) | C-DE.HB07.B.00089/20 |
| Declaration of Conformatiy No. (DoC LVD) | DE_PS2410_160412_001ISS01                 |  |                      |

**KLIPPON K32 RAL7001**

**Weidmüller Interface GmbH & Co. KG**  
 Klingenbergstraße 26  
 D-32758 Detmold  
 Germany

www.weidmueller.com

**Technical data**

**General information**

|                                 |  |                             |  |
|---------------------------------|--|-----------------------------|--|
| Access opening: height          | 72 mm  | Access opening: width       | 242 mm                                   |
| Areas of use                    | Process industry, Transportation, Marine engineering, Packaging industry, Harbour facilities, Machine construction | Enclosure attachment        | Holes 4 mm                               |
| Flange plate                    | No   | Halogen                     | No (only contained in the seal)          |
| Impact resistance               | 10.00 J  | Integral fixing             | Threaded holes M4                        |
| Lid                             | Yes  | Lid attachment              | M4 torx stainless steel screws with slot |
| Material                        | Aluminium AlSi12   | Material thickness of cover | 2.5 mm                                   |
| Material thickness of enclosure | 4 mm   | Note: protection class      | IP68 (t=72h, h=1m)                       |
| Number of lid screws            | 4  | Operating temperature, max. | 80 °C                                    |
| Operating temperature, min.     | -40 °C   | Protection class (UL)       | Type 4, Type 4x                          |
| Protection degree               | IP66, IP67, IP68   | Seal material               | Chloroprene                              |
| Standards                       | EN 45545-2:2013  | Surface finish              | Powder-coated, textured                  |
| Torque for lid screws           | 2.5 Nm   |                             |  |

**horizontal assembly**

|                             |      |               |      |
|-----------------------------|------|---------------|------|
| WDU 2,5 / ZDU 2,5 / IDU 2,5 | 1x38 | WDU 4 / ZDU 4 | 1x32 |
|-----------------------------|------|---------------|------|

**vertical assembly**

|                             |   |               |   |
|-----------------------------|---|---------------|---|
| WDU 2,5 / ZDU 2,5 / IDU 2,5 | * | WDU 4 / ZDU 4 | * |
|-----------------------------|---|---------------|---|

**Classifications**

|             |             |             |             |
|-------------|-------------|-------------|-------------|
| ETIM 6.0    | EC000261    | ETIM 7.0    | EC000261    |
| ETIM 8.0    | EC000261    | ECLASS 9.0  | 27-18-01-01 |
| ECLASS 9.1  | 27-18-92-90 | ECLASS 10.0 | 27-18-01-01 |
| ECLASS 11.0 | 27-18-01-01 |             |             |

**Approvals**

Approvals



|                       |         |
|-----------------------|---------|
| ROHS                  | Conform |
| UL File Number Search | E197061 |

## KLIPPON K32 RAL7001

**Weidmüller Interface GmbH & Co. KG**  
Klingenbergstraße 26  
D-32758 Detmold  
Germany

[www.weidmueller.com](http://www.weidmueller.com)

## Technical data

### Downloads

|   |  |
|---|--|
| Approval/Certificate/Document of Conformity | <a href="#">C-DE.A154.B.00251.19 Ind. Terminal Box</a><br><a href="#">RUC-DE.BE02.B.00173</a><br><a href="#">TAE00002SM</a><br><a href="#">19.00108.272</a><br><a href="#">EU Declaration of Conformity - Klippon K Empty Enclosures - DoC DE PS2410 160412 001ISS02</a><br><a href="#">DoM Klippon K salt water resistance</a><br><a href="#">DoM Klippon K EN 45545-2 2013 Railway</a> |
| Engineering Data                            | <a href="#">CAD data – STEP</a>  |
| Engineering Data                            | <a href="#">EPLAN, WSCAD</a>   |
| Tender specification                        | <a href="#">Klippon K32 RAL7001_9529180000_DE</a><br><a href="#">Klippon K32 RAL7001_9529180000_EN</a>   |
| User Documentation                          | <a href="#">Assembly guidelines - empty enclosures</a>   |
| Catalogues                                  | <a href="#">Catalogues in PDF-format</a>   |
| Brochures                                   | <a href="#">MB KLIPPON ENCL.TECN EN</a><br><a href="#">FL RAILWAY 2014 EN</a><br><a href="#">FL RAILWAY 2014 EN</a>  |

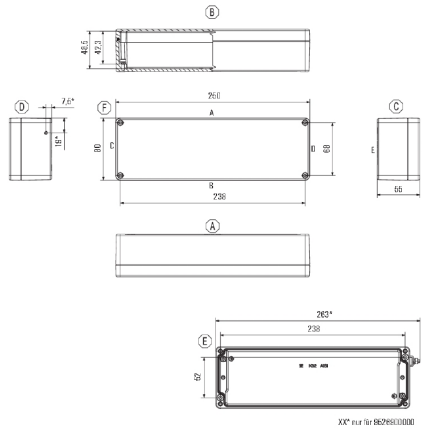
**KLIPPON K32 RAL7001**

**Weidmüller Interface GmbH & Co. KG**  
 Klingenbergstraße 26  
 D-32758 Detmold  
 Germany

[www.weidmueller.com](http://www.weidmueller.com)

**Drawings**

**Dimensioned drawing**



## KLIPPON K32 RAL7001

**Weidmüller Interface GmbH & Co. KG**  
 Klingenbergstraße 26  
 D-32758 Detmold  
 Germany

www.weidmueller.com

## Accessories

### Klippon® K - Mounting plates



The system accessories for the Klippon® K enclosure series allows you to easily adapt the enclosures to meet the specific requirements of every application.

- DIN Rails TS 35 and TS15
- Mounting plates
- Hinges
- Wall-mounted holder

### General ordering data

| Type       | MOPL K32 STAHL             | Version   |
|------------|----------------------------|---|
| Order No.  | <a href="#">3073050000</a> | Klippon K (aluminium empty enclosure), Mounting plate, Mounting   |
| GTIN (EAN) | 4008190857981              | plate, Height: 67 mm, Width: 239 mm, Depth: 2 mm, Material: Sheet |
| Qty.       | 1 pc(s).                   | steel, galvanized, galvanized, silver                             |

### Spacer



### Integrate, expand and customise: The ideal expansion for every application

The consistent structure of accessories for the Klippon® EBi enclosure range means that you can easily adapt the enclosure to the specific requirements of each application.

### General ordering data

| Type       | SP M6 30 MSZN              | Version  |
|------------|----------------------------|--|
| Order No.  | <a href="#">3896300000</a> | Klippon EBi (Essential Box industrial), Spacer, Height: 30 mm, |
| GTIN (EAN) | 4008190850241              | Material: Steel, silver  |
| Qty.       | 2 pc(s).                   |  |
| Type       | SP M6 20 MSZN              | Version  |
| Order No.  | <a href="#">3896200000</a> | Klippon EBi (Essential Box industrial), Spacer, Height: 20 mm, |
| GTIN (EAN) | 4008190850234              | Material: Steel, silver  |
| Qty.       | 2 pc(s).                   |  |
| Type       | SP M6 15 MSZN              | Version  |
| Order No.  | <a href="#">3896100000</a> | Klippon EBi (Essential Box industrial), Spacer, Height: 15 mm, |
| GTIN (EAN) | 4008190857851              | Material: Steel, silver  |
| Qty.       | 1 pc(s).                   |  |

**KLIPPON K32 RAL7001**

**Weidmüller Interface GmbH & Co. KG**  
Klingenbergstraße 26  
D-32758 Detmold  
Germany

[www.weidmueller.com](http://www.weidmueller.com)

**Accessories****TS 15**

The system accessories for the Klippon® K enclosure series allows you to easily adapt the enclosures to meet the specific requirements of every application.

- DIN Rails TS 35 and TS15
- Mounting plates
- Hinges
- Wall-mounted holder

**General ordering data**

|            |                            |   |
|------------|----------------------------|---|
| Type       | TS15X5 ST K32              | Version   |
| Order No.  | <a href="#">8000032395</a> | Rail, TS 15, Width: 235 mm, without slot, Steel, galvanic zinc plated |
| GTIN (EAN) | 4050118652536              | and passivated  |
| Qty.       | 20 pc(s).                  |   |

# Mouser Electronics

Authorized Distributor

Click to View Pricing, Inventory, Delivery & Lifecycle Information:

[Weidmuller:](#)

[9529180000](#)