

## KLIPPON K3 RAL7001

**Weidmüller Interface GmbH & Co. KG**

Klingenbergstraße 26

D-32758 Detmold

Germany

[www.weidmueller.com](http://www.weidmueller.com)

### Similar to illustration



The aluminium Klippon® K enclosures are suitable for use in an extremely wide range of different areas. Various components can be installed inside the enclosures, and will benefit in particular from the high temperature resistance, the excellent IP protection and the good impact resistance.

No matter what kind of application the customer is planning, Weidmüller is able to provide a wide range of aluminium enclosures precisely fitting the customer's requirements.

Klippon® K enclosures for hazardous areas are available on request.

Our extensive product range offers the following advantages:

- Available in two surface finishes: natural and powder-coated (RAL 7001)
- With chloroprene moulded seal as standard (silicone moulded seal optionally available)
- Standardised closure system with Torx slotted screw head for 19 enclosure sizes
- Mounting holes outside of the gasket area
- High IP protection classes: IP66, IP67 and IP68 according to DIN EN 60529
- Impact resistance of up to 7 (10) Joules
- The enclosures are approved according ATEX, IECEx, EAC, cULus, Russian Maritime Register and DNV GL as well as the empty enclosure standard.

- Suitable for railway applications according to EN 45545-2:2013
- Alloy is resistant to salt water
- Standardised distributor enclosures with threaded holes and a variety of terminal configurations

### General ordering data

Version	Klippon K (aluminium empty enclosure), Empty enclosure, Aluminium enclosure, Height: 70 mm, Width: 165 mm, Depth: 45 mm, Material: Aluminium AlSi12, Powder-coated, textured, Silver grey
Order No.	<a href="#">9529160000</a>
Type	KLIPPON K3 RAL7001
GTIN (EAN)	4008190918064
Qty.	5 pc(s).
Unassembled to fit rail	<a href="#">1910030000</a>

Creation date January 30, 2022 8:16:17 PM CET

## KLIPPON K3 RAL7001

**Weidmüller Interface GmbH & Co. KG**  
 Klingenbergstraße 26  
 D-32758 Detmold  
 Germany

www.weidmueller.com

## Technical data

### Dimensions and weights

Depth	45 mm	Depth (inches)	1.772 inch
Height	70 mm	Height (inches)	2.756 inch
Width	165 mm	Width (inches)	6.496 inch
Mounting dimension - height	42 mm	Mounting dimension - width	153 mm
Weight	400 g	Net weight	452 g

### Temperatures

Operating temperature -40 °C...80 °C

### Environmental Product Compliance

REACH SVHC Lead 7439-92-1

### Cable glands, left

M12	1	M16	1
-----	---	-----	---

### Cable glands, right

M12	1	M16	1
-----	---	-----	---

### Cable glands, top/bottom

M12	6	M16	5
M20	4		

### Certificate numbers enclosure

Approval conditions	cULus, RMRS, DNV	Certificate No. (DNVGL)	TAE00002SM
Certificate No. (EAC)	C-DE.HB07.B.00089-20	Certificate No. (GERMLLOYD)	TAE00002SM
Certificate No. (MARITREG)	19.00108.272	Certificate no. (cULus)	E197061
Certificate no. Terminal Box (EAC)	C-DE.AJ54.B.00251/19 Ind. Terminal Box	Certificate no., empty enclosure (EAC)	C-DE.HB07.B.00089/20
Declaration of Conformatiy No. (DoC LVD)	DE_PS2410_160412_001ISS01		

## KLIPPON K3 RAL7001

Weidmüller Interface GmbH &amp; Co. KG

Klingenbergstraße 26

D-32758 Detmold

Germany

www.weidmueller.com

## Technical data

## General information

Access opening: height	63 mm	Access opening: width	158 mm
Areas of use	Process industry, Transportation, Marine engineering, Packaging industry, Harbour facilities, Machine construction	Enclosure attachment	
Flange plate	No	Halogen	No (only contained in the seal)
Impact resistance	10.00 J	Integral fixing	Threaded holes M4
Lid	Yes	Lid attachment	M4 torx stainless steel screws with slot
Material	Aluminium AlSi12	Material thickness of cover	3 mm
Material thickness of enclosure	3.5 mm	Note: protection class	IP68 (t=72h, h=1m)
Number of lid screws	4	Operating temperature, max.	80 °C
Operating temperature, min.	-40 °C	Protection class (UL)	Type 4, Type 4x
Protection degree	IP66, IP67, IP68	Seal material	Chloroprene
Standards	EN 45545-2:2013	Surface finish	Powder-coated, textured
Torque for lid screws	2.5 Nm		

## horizontal assembly

WDU 2,5 / ZDU 2,5 / IDU 2,5 1x22

## vertical assembly

WDU 2,5 / ZDU 2,5 / IDU 2,5 \* WDU 4 / ZDU 4 \*

## Classifications

ETIM 6.0	EC000261	ETIM 7.0	EC000261
ETIM 8.0	EC000261	ECLASS 9.0	27-18-01-01
ECLASS 9.1	27-18-92-90	ECLASS 10.0	27-18-01-01
ECLASS 11.0	27-18-01-01		

## Approvals

Approvals



ROHS	Conform
UL File Number Search	E197061

## KLIPPON K3 RAL7001

**Weidmüller Interface GmbH & Co. KG**  
Klingenbergstraße 26  
D-32758 Detmold  
Germany

[www.weidmueller.com](http://www.weidmueller.com)

## Technical data

### Downloads

Approval/Certificate/Document of Conformity	<a href="#">C-DE.A154.B.00251.19 Ind. Terminal Box</a> <a href="#">RUC-DE.BE02.B.00173</a> <a href="#">TAE00002SM</a> <a href="#">19.00108.272</a> <a href="#">EU Declaration of Conformity - Klippon K Empty Enclosures - DoC DE PS2410 160412 001ISS02</a> <a href="#">DoM Klippon K salt water resistance</a> <a href="#">DoM Klippon K EN 45545-2 2013 Railway</a>
Engineering Data	<a href="#">CAD data – STEP</a>
Engineering Data	<a href="#">EPLAN, WSCAD</a>
Tender specification	<a href="#">Klippon K3 RAL7001_9529160000_DE</a> <a href="#">Klippon K3 RAL7001_9529160000_EN</a>
User Documentation	<a href="#">Assembly guidelines - empty enclosures</a>
Catalogues	<a href="#">Catalogues in PDF-format</a>
Brochures	<a href="#">MB KLIPPON ENCL.TECN EN</a> <a href="#">FL RAILWAY 2014 EN</a> <a href="#">FL RAILWAY 2014 EN</a>

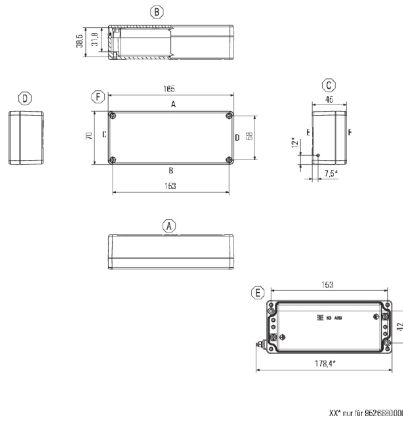
**KLIPPON K3 RAL7001**

**Weidmüller Interface GmbH & Co. KG**  
Klingenbergstraße 26  
D-32758 Detmold  
Germany

**Drawings**

[www.weidmueller.com](http://www.weidmueller.com)

**Dimensioned drawing**



## KLIPPON K3 RAL7001

**Weidmüller Interface GmbH & Co. KG**  
 Klingenbergstraße 26  
 D-32758 Detmold  
 Germany

www.weidmueller.com

## Accessories

### Klippon® K - Mounting plates



The system accessories for the Klippon® K enclosure series allows you to easily adapt the enclosures to meet the specific requirements of every application.

- DIN Rails TS 35 and TS 15
- Mounting plates
- Hinges
- Wall-mounted holder

### General ordering data

Type	MOPL K3 NT FE	Version
Order No.	<a href="#">1899630000</a>	Klippon K (aluminium empty enclosure), Mounting plate, Mounting
GTIN (EAN)	4032248519613	plate, Height: 44 mm, Width: 156 mm, Depth: 3 mm, Material: Sheet
Qty.	1 pc(s).	steel, galvanized, galvanized, silver
Type	MOPL K3 N FE	Version
Order No.	<a href="#">1898210000</a>	Klippon K (aluminium empty enclosure), Mounting plate, Mounting
GTIN (EAN)	4032248516797	plate, Height: 44 mm, Width: 156 mm, Depth: 3 mm, Material: Sheet
Qty.	1 pc(s).	steel, galvanized, galvanized, silver

### TS 15



The system accessories for the Klippon® K enclosure series allows you to easily adapt the enclosures to meet the specific requirements of every application.

- DIN Rails TS 35 and TS 15
- Mounting plates
- Hinges
- Wall-mounted holder

### General ordering data

Type	TS15 155 KLIPPON K3 CSS	Version
Order No.	<a href="#">1910030000</a>	Rail, TS 15, Width: 155 mm, without slot, Steel, galvanized, chromium-
GTIN (EAN)	4032248536948	plated
Qty.	1 pc(s).	
Type	TS15X5 ST K3	Version
Order No.	<a href="#">8000003885</a>	Rail, TS 15, Width: 155 mm, without slot, Steel, galvanic zinc plated
GTIN (EAN)	4050118652512	and passivated
Qty.	20 pc(s).	

# Mouser Electronics

Authorized Distributor

Click to View Pricing, Inventory, Delivery & Lifecycle Information:

[Weidmuller:](#)

[9529160000](#)