

KLIPPON K0 RAL7001

Weidmüller Interface GmbH & Co. KG
Klingenbergstraße 26
D-32758 Detmold
Germany

www.weidmueller.com

Similar to illustration



The aluminium Klippon® K enclosures are suitable for use in an extremely wide range of different areas. Various components can be installed inside the enclosures, and will benefit in particular from the high temperature resistance, the excellent IP protection and the good impact resistance.

No matter what kind of application the customer is planning, Weidmüller is able to provide a wide range of aluminium enclosures precisely fitting the customer's requirements.

Our extensive product range offers the following advantages:

- Available in two surface finishes: natural and powder-coated (RAL 7001)
- With chloroprene moulded seal as standard (silicone moulded seal optionally available)
- Standardised closure system with Torx slotted screw head for 19 enclosure sizes
- Mounting holes outside of the gasket area
- High IP protection classes: IP66, IP67 and IP68 according to DIN EN 60529
- Impact resistance of up to 7 (10) Joules
- The enclosures are approved according EAC, cULus, Russian Maritime Register and DNV GL as well as the empty enclosure standard.
- Suitable for railway applications according to EN 45545-2:2013
- Alloy is resistant to salt water

- Standardised distributor enclosures with threaded holes and a variety of terminal configurations

General ordering data

Version	Klippon K (aluminium empty enclosure), Empty enclosure, Aluminium enclosure, Height: 45 mm, Width: 50 mm, Depth: 30 mm, Material: Aluminium AlSi12, Powder-coated, textured, Silver grey
Order No.	9529090000
Type	KLIPPON K0 RAL7001
GTIN (EAN)	4008190918002
Qty.	10 pc(s).

Creation date January 30, 2022 8:22:56 PM CET

Catalogue status 14.01.2022 / We reserve the right to make technical changes.

KLIPPON K0 RAL7001

Weidmüller Interface GmbH & Co. KG

Klingenbergstraße 26

D-32758 Detmold

Germany

www.weidmueller.com

Technical data

Dimensions and weights

Depth	30 mm	Depth (inches)	1.181 inch
Height	45 mm	Height (inches)	1.772 inch
Width	50 mm	Width (inches)	1.969 inch
Mounting dimension - height	35 mm	Mounting dimension - width	40 mm
Weight	65 g	Net weight	79.2 g

Temperatures

Operating temperature	-40 °C...80 °C
-----------------------	----------------

Environmental Product Compliance

REACH SVHC	Lead 7439-92-1
------------	----------------

Cable glands, left

M12	1	M16	1
-----	---	-----	---

Cable glands, right

M12	1	M16	1
-----	---	-----	---

Cable glands, top/bottom

M12	1	M16	1
-----	---	-----	---

Certificate numbers enclosure

Approval conditions	cULus, RMRS, DNV	Certificate No. (DNVGL)	TAE00002SM
Certificate No. (EAC)	C-DE.AB54.B.0025 1.19	Certificate No. (GERMLLOYD)	TAE00002SM
Certificate No. (MARITREG)	19.00108.272	Certificate no. (cULus)	E197061
Certificate no. Terminal Box (EAC)	C-DE.AД54.B.0025 1/19 Ind. Terminal Box	Certificate no., empty enclosure (EAC)	C-DE.HB07.B.00089/20

Declaration of Conformity No. (DoC LVD)	DE_PS2410_160412_001ISS01
---	---------------------------

General information

Access opening: height	40 mm	Access opening: width	45 mm
Areas of use	Process industry, Transportation, Marine engineering, Packaging industry, Harbour facilities, Machine construction	Enclosure attachment	Holes 4 mm
Flange plate	No	Halogen	No (only contained in the seal)
Impact resistance	10.00 J	Integral fixing	Threaded holes M3
Lid	Yes	Lid attachment	M4 torx stainless steel screws with slot
Material	Aluminium AlSi12	Material thickness of cover	2 mm
Material thickness of enclosure	2.5 mm	Note: protection class	IP68 (t=72h, h=1m)
Number of lid screws	2	Operating temperature, max.	80 °C
Operating temperature, min.	-40 °C	Protection class (UL)	Type 4, Type 4x
Protection degree	IP66, IP67, IP68	Seal material	Chloroprene
Standards	EN 45545-2:2013	Surface finish	Powder-coated, textured
Torque for lid screws	2.5 Nm		

Creation date January 30, 2022 8:22:56 PM CET

KLIPPON K0 RAL7001

Weidmüller Interface GmbH & Co. KG
 Klingenbergstraße 26
 D-32758 Detmold
 Germany

www.weidmueller.com

Technical data

horizontal assembly

WDU 2,5 / ZDU 2,5 / IDU 2,5	1x1*	WDU 4 / ZDU 4	1x1*
-----------------------------	------	---------------	------

vertical assembly

WDU 2,5 / ZDU 2,5 / IDU 2,5	1x1*	WDU 4 / ZDU 4	1x1*
-----------------------------	------	---------------	------

Classifications

ETIM 6.0	EC000261	ETIM 7.0	EC000261
ETIM 8.0	EC000261	ECLASS 9.0	27-18-01-01
ECLASS 9.1	27-18-92-90	ECLASS 10.0	27-18-01-01
ECLASS 11.0	27-18-01-01		

Approvals

Approvals



ROHS	Conform
UL File Number Search	E197061

Downloads

Approval/Certificate/Document of Conformity	C-DE.A154.B.00251.19 Ind. Terminal Box RUC-DE.BE02.B.00173 TAE00002SM 19.00108.272 EU Declaration of Conformity - Klippon K Empty Enclosures - DoC DE PS2410 160412 001ISS02 DoM Klippon K salt water resistance DoM Klippon K EN 45545-2 2013 Railway
Engineering Data	CAD data – STEP
Engineering Data	EPLAN, WSCAD
Tender specification	Klippon K0 RAL7001_9529090000_DE Klippon K0 RAL7001_9529090000_EN
User Documentation	Assembly guidelines - empty enclosures
Catalogues	Catalogues in PDF-format
Brochures	MB KLIPPON ENCL.TECN EN FL RAILWAY 2014 EN FL RAILWAY 2014 EN

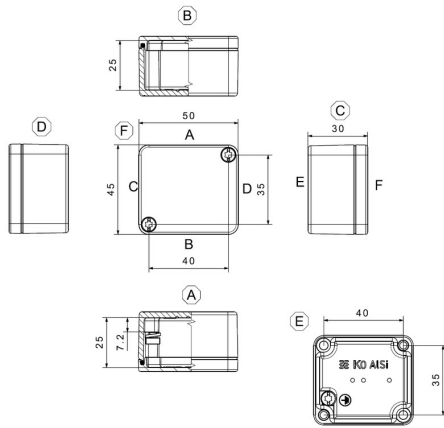
KLIPPON K0 RAL7001

Weidmüller Interface GmbH & Co. KG
Klingenbergstraße 26
D-32758 Detmold
Germany

www.weidmueller.com

Drawings

Dimensioned drawing



Mouser Electronics

Authorized Distributor

Click to View Pricing, Inventory, Delivery & Lifecycle Information:

[Weidmuller:](#)

[9529090000](#)