

## KLIPPON K5 EX

**Weidmüller Interface GmbH & Co. KG**

Klingenbergstraße 26

D-32758 Detmold

Germany

[www.weidmueller.com](http://www.weidmueller.com)

### Similar to illustration



The aluminium Klippon® K enclosures are suitable for use in an extremely wide range of different areas. Various components can be installed inside the enclosures, and will benefit in particular from the high temperature resistance, the excellent IP protection and the good impact resistance.

No matter what kind of application the customer is planning, Weidmüller is able to provide a wide range of aluminium enclosures precisely fitting the customer's requirements.

Klippon® K enclosures for hazardous areas are available on request.

Our extensive product range offers the following advantages:

- Available in two surface finishes: natural and powder-coated (RAL 7001)
- With chloroprene moulded seal as standard (silicone moulded seal optionally available)
- Standardised closure system with Torx slotted screw head for 19 enclosure sizes
- Mounting holes outside of the gasket area
- High IP protection classes: IP66, IP67 and IP68 according to DIN EN 60529
- Impact resistance of up to 7 (10) Joules
- The enclosures are approved according ATEX, IECEx, EAC, cULus, Russian Maritime Register and DNV GL as well as the empty enclosure standard.

- Suitable for railway applications according to EN 45545-2:2013
- Alloy is resistant to salt water
- Standardised distributor enclosures with threaded holes and a variety of terminal configurations

### General ordering data

Version	Klippon K (aluminium empty enclosure), Empty enclosure, Aluminium enclosure, Height: 130 mm, Width: 170 mm, Depth: 90 mm, Material: Aluminium AlSi12, untreated, silver
Order No.	<a href="#">9526930000</a>
Type	KLIPPON K5 EX
GTIN (EAN)	4032248019069
Qty.	1 pc(s).

## KLIPPON K5 EX

**Weidmüller Interface GmbH & Co. KG**

Klingenbergstraße 26

D-32758 Detmold

Germany

www.weidmueller.com

## Technical data

### Dimensions and weights

Depth	90 mm	Depth (inches)	3.543 inch
Height	130 mm	Height (inches)	5.118 inch
Width	170 mm	Width (inches)	6.693 inch
Mounting dimension - height	110 mm	Mounting dimension - width	150 mm
Weight	1,540 g	Net weight	1,406 g

### Temperatures

Operating temperature	-60 °C...135 °C
-----------------------	-----------------

### Environmental Product Compliance

REACH SVHC	Lead 7439-92-1
------------	----------------

### Cable glands, left

M12	4	M16	2
M20	1	M25	1
M32	1		

### Cable glands, right

M12	4	M16	2
M20	1	M25	1
M32	1		

### Cable glands, top/bottom

M12	11	M16	8
M20	4	M25	3
M32	2		

### Certificate numbers enclosure

Approval conditions	DNV, GL, RMRS, ATEX, EAC, IECEX, UL AEx Class Div., CCC	Attestation of Conformity No. (AoC)	DE PS24 10 160308 001ISS01
Certificate No. (ATEX)	IBEXU12ATEX1144U	Certificate No. (DNVGL)	TAE00002SM
Certificate No. (EAC)	C-DE.HB07.B.00089-20	Certificate No. (GERMLLOYD)	TAE00002SM
Certificate No. (IECEX)	IECEXIBE13.0002X	Certificate No. (MARITREG)	19.00108.272
Certificate no. Terminal Box (ATEX)	IBEXU12ATEX1145 X	Certificate no. Terminal Box (EAC)	C-DE.HB07.B.00089/20 Ex Terminal Box
Certificate no. Terminal Box (IECEX)	IECEX IBE 13.0002X	Certificate no. empty enclosure (ATEX)	IBEXU12ATEX1144 U
Certificate no. empty enclosure (IECEX)	IECEX IBE 13.0001U	Certificate no., empty enclosure (EAC)	C-DE.HB07.B.00089/20
Declaration of Conformity No. (DoC LVD)	DE_PS2410_160412_001ISS01		

**KLIPPON K5 EX****Weidmüller Interface GmbH & Co. KG**

Klingenbergstraße 26

D-32758 Detmold

Germany

www.weidmueller.com

**Technical data****General information**

Access opening: height	120.8 mm	Access opening: width	160.8 mm
Areas of use	Explosive risk zone, Process industry, Transportation, Packaging industry, Marine engineering, Machine construction, Harbour facilities	Enclosure attachment	Holes 6 mm
Flange plate	No	Halogen	No
Impact resistance	7.00 J	Integral fixing	Threaded holes M5
Lid	Yes	Lid attachment	M5 torx stainless steel screws with slot
Material	Aluminium AlSi12	Material thickness of cover	3 mm
Material thickness of enclosure	4.6 mm	Number of lid screws	4
Operating temperature, max.	135 °C	Operating temperature, min.	-60 °C
Protection degree	IP66, IP67	Seal material	Silicone
Standards	IEC 60079-0, IEC 60079-7, IEC 60079-31, EN 45545-2:2013	Surface finish	untreated
Torque for lid screws	2.5 Nm		

**horizontal assembly**

WDU 10 / ZDU 10	1x10	WDU 16 / ZDU 16	1x8
WDU 2,5 / ZDU 2,5 / IDU 2,5	1x20	WDU 4 / ZDU 4	1x17
WDU 6 / ZDU 6	1x12		

**vertical assembly**

WDU 2,5 / ZDU 2,5 / IDU 2,5	*	WDU 4 / ZDU 4	*
-----------------------------	---	---------------	---

**Classifications**

ETIM 6.0	EC002503	ETIM 7.0	EC002503
ETIM 8.0	EC002503	ECLASS 9.0	27-18-05-02
ECLASS 9.1	27-18-05-02	ECLASS 10.0	27-18-05-02
ECLASS 11.0	27-18-05-02		

**Approvals**

Approvals



ATEX - SIRA



IECEx - IBEExU



ROHS

Conform

**KLIPPON K5 EX****Weidmüller Interface GmbH & Co. KG**

Klingenbergstraße 26

D-32758 Detmold

Germany

[www.weidmueller.com](http://www.weidmueller.com)**Technical data****Downloads**

Approval/Certificate/Document of Conformity	<a href="#">C-DE.HB07.B.00089-Empty Enclosures and Ex. Terminal Box</a> <a href="#">CCC 2020322303000040 Klippon K Assembly Enclosure</a> <a href="#">Attestation of Conformity - Klippon K Empty Enclosures - AoC DE PS2410 160308 001ISS03</a> <a href="#">RUC-DE.BE02.B.00173</a> <a href="#">IBEXU12ATEX1145X</a> <a href="#">IECEXIBE13.0001U</a> <a href="#">IECEXIBE13.0002X</a> <a href="#">TAE00002SM</a> <a href="#">19.00108.272</a> <a href="#">IBEXU12ATEX1144U</a> <a href="#">EU Declaration of Conformity - Klippon K Empty Enclosures - DoC DE PS2410 160412 001ISS02</a> <a href="#">DoM Klippon K salt water resistance</a> <a href="#">DoM Klippon K EN 45545-2 2013 Railway</a>
Engineering Data	<a href="#">CAD data – STEP</a>
Engineering Data	<a href="#">EPLAN, WSCAD</a>
Tender specification	<a href="#">Klippon K5 Ex_9526930000_DE</a> <a href="#">Klippon K5 Ex_9526930000_EN</a>
User Documentation	<a href="#">Assembly guidelines - empty enclosures</a>
Catalogues	<a href="#">Catalogues in PDF-format</a>
Brochures	<a href="#">MB OVERV. PROCESS WD DE</a> <a href="#">MB KLIPPON ENCL.TECN EN</a> <a href="#">MB PROCESS EN</a> <a href="#">FL RAILWAY 2014 EN</a> <a href="#">FL RAILWAY 2014 EN</a>

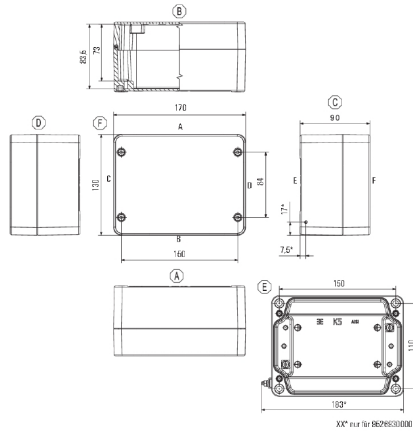
**KLIPPON K5 EX**

**Weidmüller Interface GmbH & Co. KG**  
 Klingenbergstraße 26  
 D-32758 Detmold  
 Germany

[www.weidmueller.com](http://www.weidmueller.com)

**Drawings**

**Dimensioned drawing**



## KLIPPON K5 EX

**Weidmüller Interface GmbH & Co. KG**  
 Klingenbergstraße 26  
 D-32758 Detmold  
 Germany

www.weidmueller.com

# Accessories

### Depth 7.5 mm



The system accessories for the Klippon® K enclosure series allows you to easily adapt the enclosures to meet the specific requirements of every application.

- DIN Rails TS 35 and TS 15
- Mounting plates
- Hinges
- Wall-mounted holder

### General ordering data

Type	TS35/148 KLIPPON K5 CSS	Version
Order No.	<a href="#">1910080000</a>	Rail, TS 35, TS 35 x 7.5, Width: 148 mm, without slot, Steel, galvanized, chromium-plated
GTIN (EAN)	4032248536993	
Qty.	1 pc(s).	
Type	TS35X7.5 ST K5	Version
Order No.	<a href="#">8000003902</a>	Rail, TS 35, TS 35 x 7.5, Width: 148 mm, without slot, Steel, galvanic zinc plated and passivated
GTIN (EAN)	4050118652635	
Qty.	20 pc(s).	

### Klippon® K - Wall-mounted holder



The system accessories for the Klippon® K enclosure series allows you to easily adapt the enclosures to meet the specific requirements of every application.

- DIN Rails TS 35 and TS 15
- Mounting plates
- Hinges
- Wall-mounted holder

### General ordering data

Type	KLIPPON K MF KIT 16	Version
Order No.	<a href="#">9529080000</a>	Klippon K (aluminium empty enclosure), Mounting foot, Fixing lugs, Material: Stainless steel 1.4301, silver
GTIN (EAN)	4008190916299	
Qty.	1 pc(s).	

## KLIPPON K5 EX

**Weidmüller Interface GmbH & Co. KG**  
 Klingenbergstraße 26  
 D-32758 Detmold  
 Germany

www.weidmueller.com

## Accessories

## Installation material



### Integrate, expand and customise - the perfect supplement to every application

The fully structured range of system accessories for the new Klippon® TB enclosure series allows you to easily adapt the enclosures to meet the specific requirements of every application.

#### Mounting hardware kits

Mounting hardware kits are available for quick and easy installation of type label holders, document holders and rain hoods.

The **label fastening set – SD** is required to install a plastic (Trafolyte) ID or type label. With the aid of this set can you mount the ID or type label directly on the enclosure cover. The label fastening set has been specially developed for this purpose. Only by using this fastening set can you ensure that there will be no leaks into the enclosure or damage to the label.

The **universal fastening set – TPSD** has been developed to enable secure and quick installation of type label holders, rain covers or document holders, for example. By using this fastening set, the risk of leaks can be minimised, if not avoided.

## General ordering data

Type	TPSD FIXING SET KTB	Version
Order No.	<a href="#">1252190000</a>	Klippon TB (Terminal Box), Type plate fixings set, Material: Stainless
GTIN (EAN)	4050118043969	steel, rust-proof, untreated, silver
Qty.	1 pc(s).	
Type	SD FIXING SET	Version
Order No.	<a href="#">1285200000</a>	Klippon TB (Terminal Box), Identification plate fixing set, Material:
GTIN (EAN)	4050118075472	Stainless steel, rust-proof, untreated, silver
Qty.	1 pc(s).	

## Depth 15 mm



The system accessories for the Klippon® K enclosure series allows you to easily adapt the enclosures to meet the specific requirements of every application.

- DIN Rails TS 35 and TS15
- Mounting plates
- Hinges
- Wall-mounted holder

## General ordering data

Type	TS35X15 ST K5	Version
Order No.	<a href="#">8000073093</a>	Rail, TS 35, TS 35 x 15, Width: 148 mm, Steel, galvanic zinc plated
GTIN (EAN)	4064675337034	and passivated
Qty.	20 pc(s).	

**KLIPPON K5 EX**

**Weidmüller Interface GmbH & Co. KG**  
 Klingenbergstraße 26  
 D-32758 Detmold  
 Germany

www.weidmueller.com

**Accessories****Klippon® K - Mounting plates**

The system accessories for the Klippon® K enclosure series allows you to easily adapt the enclosures to meet the specific requirements of every application.

- DIN Rails TS 35 and TS 15
- Mounting plates
- Hinges
- Wall-mounted holder

**General ordering data**

Type	MOPL K5 STAHL	Version
Order No.	<a href="#">3073080000</a>	Klippon K (aluminium empty enclosure), Mounting plate, Mounting
GTIN (EAN)	4008190858018	plate, Height: 110 mm, Width: 150 mm, Depth: 2 mm, Material: Sheet
Qty.	1 pc(s).	steel, galvanized, galvanized, silver

**Klippon® K - Hinge**

The system accessories for the Klippon® K enclosure series allows you to easily adapt the enclosures to meet the specific requirements of every application.

- DIN Rails TS 35 and TS 15
- Mounting plates
- Hinges
- Wall-mounted holder

**General ordering data**

Type	HG K+POK	Version
Order No.	<a href="#">1580360000</a>	Klippon POK (polyester empty enclosure), External joint, Hinge,
GTIN (EAN)	4008190203542	Material: Aluminium AISi12, silver
Qty.	1 pc(s).	



**KLIPPON K5 EX**

**Weidmüller Interface GmbH & Co. KG**  
Klingenbergstraße 26  
D-32758 Detmold  
Germany

[www.weidmueller.com](http://www.weidmueller.com)

**Accessories****Screws**

Depending on the terminal block or also accessories, we offer different types of screws as additional items or also spare parts.

**General ordering data**

Type	FKSC M5X8 D9/SW2.5	Version
Order No.	<a href="#">0295900000</a>	SAK Series, Allen hex screw, Screws, Number of poles: 1
GTIN (EAN)	4008190133337	
Qty.	50 pc(s).	

# Mouser Electronics

Authorized Distributor

Click to View Pricing, Inventory, Delivery & Lifecycle Information:

[Weidmuller:](#)

[9526930000](#)