

KLIPPON K21 EX

Weidmüller Interface GmbH & Co. KG

Klingenbergstraße 26

D-32758 Detmold

Germany

www.weidmueller.com

Similar to illustration



The aluminium Klippon® K enclosures are suitable for use in an extremely wide range of different areas. Various components can be installed inside the enclosures, and will benefit in particular from the high temperature resistance, the excellent IP protection and the good impact resistance.

No matter what kind of application the customer is planning, Weidmüller is able to provide a wide range of aluminium enclosures precisely fitting the customer's requirements.

Klippon® K enclosures for hazardous areas are available on request.

Our extensive product range offers the following advantages:

- Available in two surface finishes: natural and powder-coated (RAL 7001)
- With chloroprene moulded seal as standard (silicone moulded seal optionally available)
- Standardised closure system with Torx slotted screw head for 19 enclosure sizes
- Mounting holes outside of the gasket area
- High IP protection classes: IP66, IP67 and IP68 according to DIN EN 60529
- Impact resistance of up to 7 (10) Joules
- The enclosures are approved according ATEX, IECEx, EAC, cULus, Russian Maritime Register and DNV GL as well as the empty enclosure standard.

- Suitable for railway applications according to EN 45545-2:2013
- Alloy is resistant to salt water
- Standardised distributor enclosures with threaded holes and a variety of terminal configurations

General ordering data

Version	Klippon K (aluminium empty enclosure), Empty enclosure, Aluminium enclosure, Height: 80 mm, Width: 125 mm, Depth: 57 mm, Material: Aluminium AlSi12, untreated, silver
Order No.	9526870000
Type	KLIPPON K21 EX
GTIN (EAN)	4032248019120
Qty.	1 pc(s).

KLIPPON K21 EX**Weidmüller Interface GmbH & Co. KG**

Klingenbergstraße 26

D-32758 Detmold

Germany

www.weidmueller.com

Technical data**Dimensions and weights**

Depth	57 mm	Depth (inches)	2.244 inch
Height	80 mm	Height (inches)	3.15 inch
Width	125 mm	Width (inches)	4.921 inch
Mounting dimension - height	52 mm	Mounting dimension - width	113 mm
Weight	400 g	Net weight	472 g

Temperatures

Operating temperature	-60 °C...135 °C
-----------------------	-----------------

Environmental Product Compliance

REACH SVHC	Lead 7439-92-1
------------	----------------

Cable glands, left

M12	2	M16	2
M20	1		

Cable glands, right

M12	2	M16	2
M20	1		

Cable glands, top/bottom

M12	6	M16	4
M20	3	M25	2

Certificate numbers enclosure

Approval conditions	DNV, GL, RMRS, ATEX, EAC, IECEX, UL AEx Class Div., CCC	Attestation of Conformatiy No. (AoC)	DE PS24 10 160308 001ISS01
Certificate No. (ATEX)	IBEXU12ATEX1144U	Certificate No. (DNVGL)	TAE00002SM
Certificate No. (EAC)	C-DE.HB07.B.00089-20	Certificate No. (GERMLLOYD)	TAE00002SM
Certificate No. (IECEX)	IECEXIBE13.0001U	Certificate No. (MARITREG)	19.00108.272
Certificate no. Terminal Box (ATEX)	IBExU12ATEX1145 X	Certificate no. Terminal Box (EAC)	C-DE.HB07.B.00089/20 Ex Terminal Box
Certificate no. Terminal Box (IECEX)	IECEX IBE 13.0002X	Certificate no. empty enclosure (ATEX)	IBExU12ATEX1144 U
Certificate no. empty enclosure (IECEX)	IECEX IBE 13.0001U	Certificate no., empty enclosure (EAC)	C-DE.HB07.B.00089/20
Declaration of Conformatiy No. (DoC LVD)	DE_PS2410_160412_001ISS01		

KLIPPON K21 EX

Weidmüller Interface GmbH & Co. KG
 Klingenbergstraße 26
 D-32758 Detmold
 Germany

www.weidmueller.com

Technical data
General information

Access opening: height	72 mm	Access opening: width	117 mm
Areas of use	Explosive risk zone, Process industry, Transportation, Packaging industry, Marine engineering, Machine construction, Harbour facilities	Enclosure attachment	Holes 4 mm
Flange plate	No	Halogen	No
Impact resistance	7.00 J	Integral fixing	Threaded holes M4
Lid	Yes	Lid attachment	M4 torx stainless steel screws with slot
Material	Aluminium AlSi12	Material thickness of cover	2.5 mm
Material thickness of enclosure	4 mm	Number of lid screws	4
Operating temperature, max.	135 °C	Operating temperature, min.	-60 °C
Protection degree	IP66, IP67	Seal material	Silicone
Standards	IEC 60079-0, IEC 60079-7, IEC 60079-31, EN 45545-2:2013	Surface finish	untreated
Torque for lid screws	2.5 Nm		

horizontal assembly

WDU 2,5 / ZDU 2,5 / IDU 2,5	1x15	WDU 4 / ZDU 4	1x12
-----------------------------	------	---------------	------

vertical assembly

WDU 2,5 / ZDU 2,5 / IDU 2,5	*	WDU 4 / ZDU 4	*
-----------------------------	---	---------------	---

Classifications

ETIM 6.0	EC002503	ETIM 7.0	EC002503
ETIM 8.0	EC002503	ECLASS 9.0	27-18-05-02
ECLASS 9.1	27-18-05-02	ECLASS 10.0	27-18-05-02
ECLASS 11.0	27-18-05-02		

Approvals

Approvals



ROHS Conform

KLIPPON K21 EX**Weidmüller Interface GmbH & Co. KG**

Klingenbergstraße 26

D-32758 Detmold

Germany

www.weidmueller.com**Technical data****Downloads**

Approval/Certificate/Document of Conformity	C-DE.HB07.B.00089-Empty Enclosures and Ex. Terminal Box CCC 2020322303000040 Klippon K Assembly Enclosure Attestation of Conformity - Klippon K Empty Enclosures - AoC DE PS24 10 160308 001ISS03 RUC-DE.BE02.B.00173 IBEXU12ATEX1145X IECEXIBE13.0001U IECEXIBE13.0002X TAE00002SM 19.00108.272 IBEXU12ATEX1144U EU Declaration of Conformity - Klippon K Empty Enclosures - DoC DE PS24 10 1604 12 001ISS02 DoM Klippon K salt water resistance DoM Klippon K EN 45545-2 2013 Railway
Engineering Data	CAD data – STEP
Engineering Data	EPLAN, WSCAD
Tender specification	Klippon K21 Ex_9526870000_DE Klippon K21 Ex_9526870000_EN
User Documentation	Assembly guidelines - empty enclosures
Catalogues	Catalogues in PDF-format
Brochures	MB OVERV. PROCESS WD DE MB KLIPPON ENCL.TECN EN MB PROCESS EN FL RAILWAY 2014 EN FL RAILWAY 2014 EN

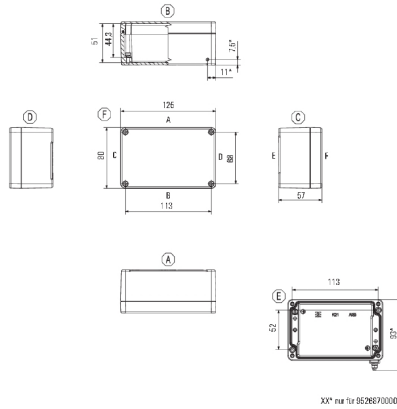
KLIPPON K21 EX

Weidmüller Interface GmbH & Co. KG
Klingenbergstraße 26
D-32758 Detmold
Germany

www.weidmueller.com

Drawings

Dimensioned drawing



KLIPPON K21 EX

Weidmüller Interface GmbH & Co. KG
 Klingenbergstraße 26
 D-32758 Detmold
 Germany

www.weidmueller.com

Accessories

Installation material



Integrate, expand and customise - the perfect supplement to every application

The fully structured range of system accessories for the new Klippon® TB enclosure series allows you to easily adapt the enclosures to meet the specific requirements of every application.

Mounting hardware kits

Mounting hardware kits are available for quick and easy installation of type label holders, document holders and rain hoods.

The **label fastening set – SD** is required to install a plastic (Trafolyte) ID or type label. With the aid of this set can you mount the ID or type label directly on the enclosure cover. The label fastening set has been specially developed for this purpose. Only by using this fastening set can you ensure that there will be no leaks into the enclosure or damage to the label.

The **universal fastening set – TPSD** has been developed to enable secure and quick installation of type label holders, rain covers or document holders, for example. By using this fastening set, the risk of leaks can be minimised, if not avoided.

General ordering data

Type	TPSD FIXING SET KTB	Version
Order No.	1252190000	Klippon TB (Terminal Box), Type plate fixings set, Material: Stainless steel, rust-proof, untreated, silver
GTIN (EAN)	4050118043969	
Qty.	1 pc(s).	
Type	SD FIXING SET	Version
Order No.	1285200000	Klippon TB (Terminal Box), Identification plate fixing set, Material: Stainless steel, rust-proof, untreated, silver
GTIN (EAN)	4050118075472	
Qty.	1 pc(s).	

Depth 7.5 mm



The system accessories for the Klippon® K enclosure series allows you to easily adapt the enclosures to meet the specific requirements of every application.

- DIN Rails TS 35 and TS15
- Mounting plates
- Hinges
- Wall-mounted holder

General ordering data

Type	TS35X7.5 ST K21	Version
Order No.	8000003897	Rail, TS 35, TS 35 x 7.5, Width: 114 mm, without slot, Steel, galvanic zinc plated and passivated
GTIN (EAN)	4050118652598	
Qty.	20 pc(s).	

KLIPPON K21 EX

Weidmüller Interface GmbH & Co. KG
 Klingenbergstraße 26
 D-32758 Detmold
 Germany

www.weidmueller.com

Accessories

Depth 15 mm



The system accessories for the Klippon® K enclosure series allows you to easily adapt the enclosures to meet the specific requirements of every application.

- DIN Rails TS 35 and TS 15
- Mounting plates
- Hinges
- Wall-mounted holder

General ordering data

Type	TS35X15 ST K21	Version
Order No.	8000073088	Rail, TS 35, TS 35 x 15, Width: 114 mm, Steel, galvanic zinc plated
GTIN (EAN)	4064675336990	and passivated
Qty.	20 pc(s).	

Klippon® K - Mounting plates



The system accessories for the Klippon® K enclosure series allows you to easily adapt the enclosures to meet the specific requirements of every application.

- DIN Rails TS 35 and TS 15
- Mounting plates
- Hinges
- Wall-mounted holder

General ordering data

Type	MOPL K21 STAHL	Version
Order No.	3073020000	Klippon K (aluminium empty enclosure), Mounting plate, Mounting
GTIN (EAN)	4008190857950	plate, Height: 67 mm, Width: 114 mm, Depth: 2 mm, Material: Sheet
Qty.	1 pc(s).	steel, galvanized, galvanized, silver

KLIPPON K21 EX**Weidmüller Interface GmbH & Co. KG**

Klingenbergstraße 26

D-32758 Detmold

Germany

www.weidmueller.com

Accessories**Klippon® K - Hinge**

The system accessories for the Klippon® K enclosure series allows you to easily adapt the enclosures to meet the specific requirements of every application.

- DIN Rails TS 35 and TS 15
- Mounting plates
- Hinges
- Wall-mounted holder

General ordering data

Type	HG K+POK	Version
Order No.	1580360000	Klippon POK (polyester empty enclosure), External joint, Hinge,
GTIN (EAN)	4008190203542	Material: Aluminium AISi12, silver
Qty.	1 pc(s).	

TS 15

The system accessories for the Klippon® K enclosure series allows you to easily adapt the enclosures to meet the specific requirements of every application.

- DIN Rails TS 35 and TS 15
- Mounting plates
- Hinges
- Wall-mounted holder

General ordering data

Type	TS15 114 KLIPPON K21 CSS	Version
Order No.	1910020000	Rail, TS 15, Width: 114 mm, with slot, Steel, galvanized, chromium-plated
GTIN (EAN)	4032248536931	
Qty.	1 pc(s).	
Type	TS15X5 ST K21	Version
Order No.	8000003886	Rail, TS 15, Width: 114 mm, with slot, Steel, galvanic zinc plated and passivated
GTIN (EAN)	4050118627930	
Qty.	20 pc(s).	

Mouser Electronics

Authorized Distributor

Click to View Pricing, Inventory, Delivery & Lifecycle Information:

[Weidmuller:](#)

[9526870000](#)