

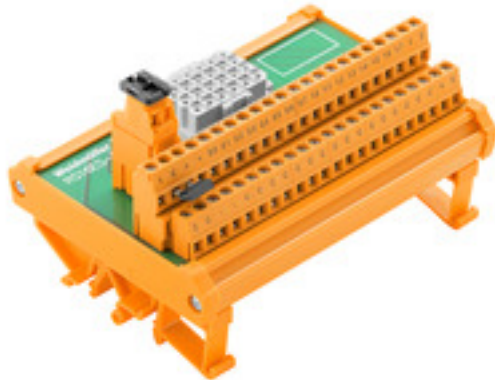
RS 16IO 2W R S**Weidmüller Interface GmbH & Co. KG**

Klingenbergstraße 26

D-32758 Detmold

Germany

www.weidmueller.com



The digital direct input/output interfaces are supplied with flat cable connectors to facilitate connection. They are available in tension clamp or clamping yoke connection, with elements such as fuses, disconnectors or LEDs.

General ordering data

Version	Interface, RS, 2-wire, Screw connection
Order No.	9441700000
Type	RS 16IO 2W R S
GTIN (EAN)	4032248253838
Qty.	1 pc(s).

RS 16IO 2W R S

Weidmüller Interface GmbH & Co. KG

Klingenbergstraße 26

D-32758 Detmold

Germany

www.weidmueller.com

Technical data

Dimensions and weights

Depth	72 mm	Depth (inches)	2.835 inch
Height	87 mm	Height (inches)	3.425 inch
Width	123 mm	Width (inches)	4.843 inch
Net weight	230 g		

Temperatures

Storage temperature	-40...60 °C	Operating temperature	-25...50 °C
---------------------	-------------	-----------------------	-------------

Environmental Product Compliance

REACH SVHC	Lead 7439-92-1
------------	----------------

Rated data UL

Operating temperature UL, max.	50 °C	Operating temperature UL, min.	0 °C
Rated current I_{max}	1 A	Rated voltage U_N	150 V UC
Rated voltage DC U_N (supply)	24 V DC \pm 10%	Rated current (supply)	3 A
Rated voltage fuse U_N (supply)	250 V	Rated current fuse (supply)	3.15 A

General data

LED status display per channel	No	Disconnection per channel	No
Type of test point	No	Fuse per channel	No
LED status of the supply voltage	No	Power supply fuse	3.15 A
Common pole polarity	Positive or negative can be selected using jumper		

Connection data

Connection (field side)	LM2N 5.08 mm	Connection on control side	Connector RSV 1.6
Number of poles (control side)	24-pole female	Wiring system	2-wire

Ratings data

Operating voltage	150 V UC	Max. current per channel	1 A
Total operating current	3 A		

Insulation coordination (EN50178)

According to	DIN EN 50178	Rated insulation voltage	< 150 V AC
Surge voltage category	II	Pollution severity level	2
Pulse voltage test (1,2/50 μ s)	1.5 kV	Insulation test voltage	1.1 kVAC

Connection field

Clamping range, max.	2.5 mm ²	Clamping range, min.	0.2 mm ²
Flexible with sleeve, max.	1.5 mm ²	Flexible with sleeve, min.	0.25 mm ²
Flexible, max. H05(07) V-K	1.5 mm ²	Flexible, min. H05(07) V-K	0.2 mm ²
Max. wire cross-section, AWG	AWG 14	Min. wire cross-section, AWG	AWG 24
Sleeve with plastic collar, max.	2.5 mm ²	Solid, max. H05(07) V-U	2.5 mm ²
Solid, min. H05(07) V-U	0.2 mm ²	Stripping length	6 mm
Tightening torque, max.	0.6 Nm	Tightening torque, min.	0.5 Nm
Type of connection	Screw connection		

Creation date January 30, 2022 4:20:54 PM CET

Catalogue status 14.01.2022 / We reserve the right to make technical changes.

RS 16IO 2W R S**Weidmüller Interface GmbH & Co. KG**

Klingenbergstraße 26

D-32758 Detmold

Germany

www.weidmueller.com

Technical data**Supply connection**

Type of connection	Screw connection	Clamping range, min.	0.2 mm ²
Clamping range, max.	2.5 mm ²		

Classifications

ETIM 6.0	EC002780	ETIM 7.0	EC002780
ETIM 8.0	EC002780	ECLASS 9.0	27-14-11-52
ECLASS 9.1	27-24-22-16	ECLASS 10.0	27-14-11-52
ECLASS 11.0	27-14-11-52		

Approvals

Approvals



ROHS

Conform

Downloads

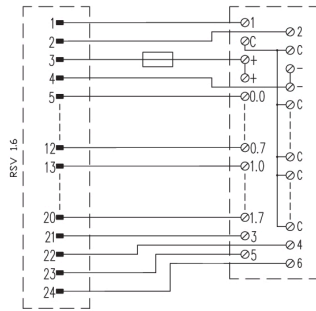
Approval/Certificate/Document of Conformity	Declaration of Conformity
Engineering Data	WSCAD
Product Change Notification	Technical change
Catalogues	Catalogues in PDF-format

RS 16IO 2W R S

Weidmüller Interface GmbH & Co. KG
Klingenbergstraße 26
D-32758 Detmold
Germany

Drawings

www.weidmueller.com



Mouser Electronics

Authorized Distributor

Click to View Pricing, Inventory, Delivery & Lifecycle Information:

[Weidmuller:](#)

[9441700000](#)