

## KLIPPON K7 VMQ

**Weidmüller Interface GmbH & Co. KG**

Klingenbergstraße 26

D-32758 Detmold

Germany

[www.weidmueller.com](http://www.weidmueller.com)

### Similar to illustration



The aluminium Klippon® K enclosures are suitable for use in an extremely wide range of different areas. Various components can be installed inside the enclosures, and will benefit in particular from the high temperature resistance, the excellent IP protection and the good impact resistance.

No matter what kind of application the customer is planning, Weidmüller is able to provide a wide range of aluminium enclosures precisely fitting the customer's requirements.

Klippon® K enclosures for hazardous areas are available on request.

Our extensive product range offers the following advantages:

- Available in two surface finishes: natural and powder-coated (RAL 7001)
- With chloroprene moulded seal as standard (silicone moulded seal optionally available)
- Standardised closure system with Torx slotted screw head for 19 enclosure sizes
- Mounting holes outside of the gasket area
- High IP protection classes: IP66, IP67 and IP68 according to DIN EN 60529
- Impact resistance of up to 7 (10) Joules
- The enclosures are approved according ATEX, IECEx, EAC, cULus, Russian Maritime Register and DNV GL as well as the empty enclosure standard.

- Suitable for railway applications according to EN 45545-2:2013
- Alloy is resistant to salt water
- Standardised distributor enclosures with threaded holes and a variety of terminal configurations

### General ordering data

Version	Klippon K (aluminium empty enclosure), Empty enclosure, Aluminium enclosure, Height: 160 mm, Width: 350 mm, Depth: 100 mm, Material: Aluminium AlSi12, untreated, silver
Order No.	<a href="#">1939710000</a>
Type	KLIPPON K7 VMQ
GTIN (EAN)	4032248616053
Qty.	1 pc(s).

## KLIPPON K7 VMO

**Weidmüller Interface GmbH & Co. KG**

Klingenbergstraße 26

D-32758 Detmold

Germany

www.weidmueller.com

## Technical data

### Dimensions and weights

Depth	100 mm	Depth (inches)	3.937 inch
Height	160 mm	Height (inches)	6.299 inch
Width	350 mm	Width (inches)	13.78 inch
Mounting dimension - height	140 mm	Mounting dimension - width	330 mm
Net weight	2,703 g		

### Temperatures

Operating temperature	-50 °C...135 °C
-----------------------	-----------------

### Environmental Product Compliance

REACH SVHC	Lead 7439-92-1
------------	----------------

### Cable glands, left

M12	8	M16	6
M20	3	M25	2
M32	2	M40	1

### Cable glands, right

M12	8	M16	6
M20	3	M25	2
M32	2	M40	1

### Cable glands, top/bottom

M12	42	M16	26
M20	17	M25	10
M32	6	M40	5

### Certificate numbers enclosure

Approval conditions	cULus, RMRS, DNV	Certificate No. (DNVGL)	TAE00002SM
Certificate No. (EAC)	C-DE.HB07.B.00089-20	Certificate No. (GERMLLOYD)	TAE00002SM
Certificate No. (MARITREG)	19.00108.272	Certificate no. (cULus)	E197061
Certificate no. Terminal Box (EAC)	C-DE.AД54.B.00251/19 Ind. Terminal Box	Certificate no., empty enclosure (EAC)	C-DE.HB07.B.00089/20
Declaration of Conformity No. (DoC LVD)	DE_PS2410_160412_001ISS01		

## KLIPPON K7 VMO

Weidmüller Interface GmbH &amp; Co. KG

Klingenbergstraße 26

D-32758 Detmold

Germany

www.weidmueller.com

## Technical data

## General information

Access opening: height	150.8 mm	Access opening: width	340.8 mm
Areas of use	Process industry, Transportation, Marine engineering, Packaging industry, Harbour facilities, Machine construction	Enclosure attachment	
Flange plate	No	Halogen	No (only contained in the seal)
Impact resistance	10.00 J	Integral fixing	Threaded holes M5
Lid	Yes	Lid attachment	M5 torx stainless steel screws with slot
Material	Aluminium AlSi12	Material thickness of cover	3 mm
Material thickness of enclosure	4.6 mm	Note: protection class	IP68 (t=72h, h=1m)
Number of lid screws	4	Operating temperature, max.	135 °C
Operating temperature, min.	-50 °C	Protection class (UL)	Type 4, Type 4x
Protection degree	IP66, IP67, IP68	Seal material	Silicone
Standards	EN 45545-2:2013	Surface finish	untreated
Torque for lid screws	2.5 Nm		

## horizontal assembly

WDU 10 / ZDU 10	1x28	WDU 16 / ZDU 16	1x23
WDU 2,5 / ZDU 2,5 / IDU 2,5	1x55	WDU 35 / ZDU 35	1x17
WDU 4 / ZDU 4	1x46	WDU 6 / ZDU 6	1x34

## Classifications

ETIM 6.0	EC000261	ETIM 7.0	EC000261
ETIM 8.0	EC000261	ECLASS 9.0	27-18-01-01
ECLASS 9.1	27-18-92-90	ECLASS 10.0	27-18-01-01
ECLASS 11.0	27-18-01-01		

## Approvals

Approvals



ROHS	Conform
UL File Number Search	E197061

## KLIPPON K7 VMO

**Weidmüller Interface GmbH & Co. KG**  
Klingenbergstraße 26  
D-32758 Detmold  
Germany

[www.weidmueller.com](http://www.weidmueller.com)

## Technical data

### Downloads

Approval/Certificate/Document of Conformity	<a href="#">C-DE.A154.B.00251.19 Ind. Terminal Box</a> <a href="#">RUC-DE.BE02.B.00173</a> <a href="#">TAE00002SM</a> <a href="#">19.00108.272</a> <a href="#">EU Declaration of Conformity - Klippon K Empty Enclosures - DoC DE PS2410 160412 001ISS02</a> <a href="#">DoM Klippon K salt water resistance</a> <a href="#">DoM Klippon K EN 45545-2 2013 Railway</a>
Engineering Data	<a href="#">CAD data – STEP</a>
Tender specification	<a href="#">Klippon K7 VMO_1939710000_DE</a> <a href="#">Klippon K7 VMO_1939710000_EN</a>
User Documentation	<a href="#">Assembly guidelines - empty enclosures</a>
Catalogues	<a href="#">Catalogues in PDF-format</a>
Brochures	<a href="#">MB KLIPPON ENCL.TECN EN</a> <a href="#">FL RAILWAY 2014 EN</a> <a href="#">FL RAILWAY 2014 EN</a>

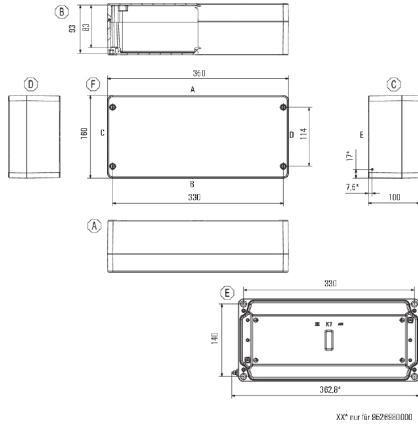
**KLIPPON K7 VMO**

**Weidmüller Interface GmbH & Co. KG**  
 Klingenbergstraße 26  
 D-32758 Detmold  
 Germany

[www.weidmueller.com](http://www.weidmueller.com)

**Drawings**

**Dimensioned drawing**



## KLIPPON K7 VMO

**Weidmüller Interface GmbH & Co. KG**  
 Klingenbergstraße 26  
 D-32758 Detmold  
 Germany

www.weidmueller.com

## Accessories

### Depth 7.5 mm



The system accessories for the Klippon® K enclosure series allows you to easily adapt the enclosures to meet the specific requirements of every application.

- DIN Rails TS 35 and TS15
- Mounting plates
- Hinges
- Wall-mounted holder

### General ordering data

Type	TS35/324 KLIPPON K7 CSS	Version
Order No.	<a href="#">1910130000</a>	Rail, TS 35, TS 35 x 7.5, Width: 324 mm, without slot, Steel, galvanized, chromium-plated
GTIN (EAN)	4032248537044	
Qty.	1 pc(s).	
Type	TS35X7.5 ST K7	Version
Order No.	<a href="#">8000003905</a>	Rail, TS 35, TS 35 x 7.5, Width: 324 mm, without slot, Steel, galvanized, chromium-plated
GTIN (EAN)	4050118652680	
Qty.	20 pc(s).	

### Klippon® K - Wall-mounted holder



The system accessories for the Klippon® K enclosure series allows you to easily adapt the enclosures to meet the specific requirements of every application.

- DIN Rails TS 35 and TS15
- Mounting plates
- Hinges
- Wall-mounted holder

### General ordering data

Type	KLIPPON K MF KIT 16	Version
Order No.	<a href="#">9529080000</a>	Klippon K (aluminium empty enclosure), Mounting foot, Fixing lugs, Material: Stainless steel 1.4301, silver
GTIN (EAN)	4008190916299	
Qty.	1 pc(s).	

## KLIPPON K7 VMO

**Weidmüller Interface GmbH & Co. KG**  
 Klingenbergstraße 26  
 D-32758 Detmold  
 Germany

www.weidmueller.com

## Accessories

## Depth 15 mm



The system accessories for the Klippon® K enclosure series allows you to easily adapt the enclosures to meet the specific requirements of every application.

- DIN Rails TS 35 and TS 15
- Mounting plates
- Hinges
- Wall-mounted holder

## General ordering data

Type	TS35X15 ST K7	Version
Order No.	<a href="#">8000073098</a>	Rail, TS 35, TS 35 x 15, Width: 324 mm, Steel, galvanic zinc plated
GTIN (EAN)	4064675340522	and passivated
Qty.	20 pc(s).	

## Klippon® K - Mounting plates



The system accessories for the Klippon® K enclosure series allows you to easily adapt the enclosures to meet the specific requirements of every application.

- DIN Rails TS 35 and TS 15
- Mounting plates
- Hinges
- Wall-mounted holder

## General ordering data

Type	MOPL K7 STAHL	Version
Order No.	<a href="#">3073130000</a>	Klippon K (aluminium empty enclosure), Mounting plate, Mounting
GTIN (EAN)	4008190858063	plate, Height: 144 mm, Width: 334 mm, Depth: 2 mm, Material: Sheet
Qty.	1 pc(s).	steel, galvanized, galvanized, silver

## KLIPPON K7 VMO

**Weidmüller Interface GmbH & Co. KG**  
 Klingenbergstraße 26  
 D-32758 Detmold  
 Germany

www.weidmueller.com

## Accessories

## Spacer



**Integrate, expand and customise: The ideal expansion for every application**

The consistent structure of accessories for the Klippon® EBi enclosure range means that you can easily adapt the enclosure to the specific requirements of each application.

## General ordering data

Type	SP M6 30 MSZN	Version
Order No.	<a href="#">3896300000</a>	Klippon EBi (Essential Box industrial), Spacer, Height: 30 mm,
GTIN (EAN)	4008190850241	Material: Steel, silver
Qty.	2 pc(s).	
Type	SP M6 20 MSZN	Version
Order No.	<a href="#">3896200000</a>	Klippon EBi (Essential Box industrial), Spacer, Height: 20 mm,
GTIN (EAN)	4008190850234	Material: Steel, silver
Qty.	2 pc(s).	
Type	SP M6 15 MSZN	Version
Order No.	<a href="#">3896100000</a>	Klippon EBi (Essential Box industrial), Spacer, Height: 15 mm,
GTIN (EAN)	4008190857851	Material: Steel, silver
Qty.	1 pc(s).	

## Klippon® K - Hinge



The system accessories for the Klippon® K enclosure series allows you to easily adapt the enclosures to meet the specific requirements of every application.

- DIN Rails TS 35 and TS15
- Mounting plates
- Hinges
- Wall-mounted holder

## General ordering data

Type	HG K+POK	Version
Order No.	<a href="#">1580360000</a>	Klippon POK (polyester empty enclosure), External joint, Hinge,
GTIN (EAN)	4008190203542	Material: Aluminium AlSi12, silver
Qty.	1 pc(s).	



**KLIPPON K7 VMO**

**Weidmüller Interface GmbH & Co. KG**  
Klingenbergstraße 26  
D-32758 Detmold  
Germany

[www.weidmueller.com](http://www.weidmueller.com)

**Accessories****Screws**

Depending on the terminal block or also accessories, we offer different types of screws as additional items or also spare parts.

**General ordering data**

Type	FKSC M5X8 D9/SW2.5	Version
Order No.	<a href="#">0295900000</a>	SAK Series, Allen hex screw, Screws, Number of poles: 1
GTIN (EAN)	4008190133337	
Qty.	50 pc(s).	

# Mouser Electronics

Authorized Distributor

Click to View Pricing, Inventory, Delivery & Lifecycle Information:

[Weidmuller:](#)

[1939710000](#)