

## LMZF 5/4/135 3.5OR

Weidmüller Interface GmbH & Co. KG

Klingenbergstraße 26

D-32758 Detmold

Germany

www.weidmueller.com

### Product image



Similar to illustration

The compact installation terminal for the standard wire cross-section size of 2.5mm<sup>2</sup>.

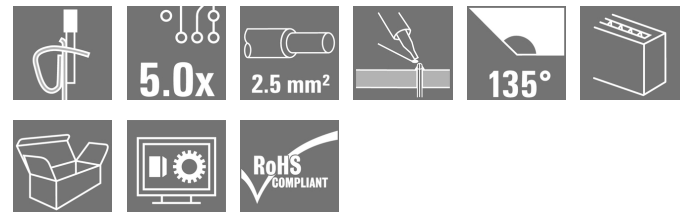
Tension clamp connection with a 135° outlet direction, in variable pitch: 5.00 - 5.08 mm (1 part with 2 pitches).

Rated data:

- 24A at 40°C / 630V (IEC) or 15A / 300V (UL)
- 0.13 - 2.5 mm<sup>2</sup> (IEC) / 26 - 14 AWG (UL)
- Flammability class according to UL 94: V0

Application benefits:

- Safe: ATEX certification Ex II 2GD / Ex e II (KEMA07 ATAEX0047U) optional
- Temperature resistant: long-term resistance up to 120°C provided by high-performance Wemid insulation material
- Adaptable: simple pitch adaptation from 5.00 to 5.08 mm (0.200 inch)
- Convenient: optional lever for simple opening of terminal point



### General ordering data

|              |  |
|--------------|--|
| Version      | Printed circuit board terminals, 5.00 mm, Number of poles: 4, 135°, Solder pin length (l): 3.5 mm, tinned, orange, Tension-clamp connection, Clamping range, max.: 2.5 mm <sup>2</sup> , Box |
| Order No.    | <a href="#">1913960000</a>   |
| Type         | LMZF 5/4/135 3.5OR   |
| GTIN (EAN)   | 4032248544370  |
| Qty.         | 100 pc(s).   |
| Product data | IEC: 630 V / 24 A / 0.13 - 2.5 mm <sup>2</sup><br>UL: 300 V / 15 A / AWG 26 - AWG 14   |
| Packaging    | Box  |

## LMZF 5/4/135 3.50R

Weidmüller Interface GmbH &amp; Co. KG

Klingenbergstraße 26

D-32758 Detmold

Germany

www.weidmueller.com

## Technical data

## Dimensions and weights

|                          |            |                 |            |
|--------------------------|------------|-----------------|------------|
| Depth                    | 14.5 mm    | Depth (inches)  | 0.571 inch |
| Height                   | 16.4 mm    | Height (inches) | 0.646 inch |
| Height of lowest version | 12.9 mm    | Width           | 22.5 mm    |
| Width (inches)           | 0.886 inch | Net weight      | 4.86 g     |

## System parameters

|  |                               |  |                          |
|--|-------------------------------|--|--------------------------|
| Product family                             | OMNIMATE Signal - series LMZF | Wire connection method                       | Tension-clamp connection |
| Mounting onto the PCB                      | THT solder connection         | Conductor outlet direction                   | 135°                     |
| Pitch in mm (P)                            | 5 mm                          | Pitch in inches (P)                          | 0.197 inch               |
| Number of poles                            | 4                             | Pin series quantity                          | 1                        |
| Fitted by customer                         | No                            | Max. adjacent poles per row                  | 48                       |
| Solder pin length (l)                      | 3.5 mm                        | Solder pin dimensions                        | 0.8 x 0.8 mm             |
| Solder eyelet hole diameter (D)            | 1.3 mm                        | Solder eyelet hole diameter tolerance (D)+   | 0, 1 mm                  |
| Number of solder pins per pole             | 2                             | Screwdriver blade                            | 0.4 x 2.5                |
| Screwdriver blade standard                 | DIN 5264-A                    | Stripping length                             | 6 mm                     |
| L1 in mm                                   | 15 mm                         | L1 in inches                                 | 0.591 inch               |
| Touch-safe protection acc. to DIN VDE 0470 | IP 20                         | Touch-safe protection acc. to DIN VDE 57 106 | Safe from finger touch   |
| Protection degree                          | IP20                          |  |                          |

## Material data

|                                       |                  |                                       |        |
|---------------------------------------|------------------|---------------------------------------|--------|
| Insulating material                   | Wemid (PA)       | Colour                                | orange |
| Colour chart (similar)                | RAL 2000         | Insulating material group             | I      |
| Comparative Tracking Index (CTI)      | ≥ 600            | UL 94 flammability rating             | V-0    |
| Contact material                      | Copper alloy     | Contact surface                       | tinned |
| Coating                               | 5-8 µm SN        | Tinning type                          | matt   |
| Layer structure of solder connection  | 4...6 µm Sn matt | Storage temperature, min.             | -40 °C |
| Storage temperature, max.             | 70 °C            | Operating temperature, min.           | -50 °C |
| Operating temperature, max.           | 120 °C           | Temperature range, installation, min. | -25 °C |
| Temperature range, installation, max. | 120 °C           |                                       |        |

## Conductors suitable for connection

|   |                      |
|---|----------------------|
| Clamping range, min.                            | 0.13 mm <sup>2</sup> |
| Clamping range, max.                            | 2.5 mm <sup>2</sup>  |
| Wire connection cross section AWG, min.         | AWG 26               |
| Wire connection cross section AWG, max.         | AWG 14               |
| Solid, min. H05(07) V-U                         | 0.13 mm <sup>2</sup> |
| Solid, max. H05(07) V-U                         | 2.5 mm <sup>2</sup>  |
| Flexible, min. H05(07) V-K                      | 0.13 mm <sup>2</sup> |
| Flexible, max. H05(07) V-K                      | 2.5 mm <sup>2</sup>  |
| w. plastic collar ferrule, DIN 46228 pt 4, min. | 0.25 mm <sup>2</sup> |
| w. plastic collar ferrule, DIN 46228 pt 4, max. | 1.5 mm <sup>2</sup>  |
| w. wire end ferrule, DIN 46228 pt 1, min.       | 0.25 mm <sup>2</sup> |
| w. wire end ferrule, DIN 46228 pt 1, max.       | 1.5 mm <sup>2</sup>  |

Creation date January 29, 2022 3:49:19 AM CET

## LMZF 5/4/135 3.50R

Weidmüller Interface GmbH &amp; Co. KG

Klingenbergstraße 26

D-32758 Detmold

Germany

www.weidmueller.com

## Technical data

|  |  |                              |                              |
|--|--|------------------------------|------------------------------|
| Clampable conductor                    | Cross-section for conductor connection | Type                         | fine-wired                   |
|  |  | nominal                      | 0.5 mm <sup>2</sup>          |
| wire end ferrule                       |  | Stripping length             | nominal 8 mm                 |
|  |  | Recommended wire-end ferrule | <a href="#">H0.5/12 OR</a>   |
|  |  | Stripping length             | nominal 6 mm                 |
|  |  | Recommended wire-end ferrule | <a href="#">H0.5/6</a>       |
| Cross-section for conductor connection | Type                                   | fine-wired                   |                              |
|  | nominal                                | 0.75 mm <sup>2</sup>         |                              |
| wire end ferrule                       |  | Stripping length             | nominal 8 mm                 |
|  |  | Recommended wire-end ferrule | <a href="#">H0.75/12 W</a>   |
|  |  | Stripping length             | nominal 6 mm                 |
|  |  | Recommended wire-end ferrule | <a href="#">H0.75/6</a>      |
| Cross-section for conductor connection | Type                                   | fine-wired                   |                              |
|  | nominal                                | 1 mm <sup>2</sup>            |                              |
| wire end ferrule                       |  | Stripping length             | nominal 8 mm                 |
|  |  | Recommended wire-end ferrule | <a href="#">H1.0/12 GE</a>   |
|  |  | Stripping length             | nominal 6 mm                 |
|  |  | Recommended wire-end ferrule | <a href="#">H1.0/6</a>       |
| Cross-section for conductor connection | Type                                   | fine-wired                   |                              |
|  | nominal                                | 0.25 mm <sup>2</sup>         |                              |
| wire end ferrule                       |  | Stripping length             | nominal 8 mm                 |
|  |  | Recommended wire-end ferrule | <a href="#">H0.25/10 HBL</a> |
|  |  | Stripping length             | nominal 5 mm                 |
|  |  | Recommended wire-end ferrule | <a href="#">H0.25/5</a>      |
| Cross-section for conductor connection | Type                                   | fine-wired                   |                              |
|  | nominal                                | 0.34 mm <sup>2</sup>         |                              |
| wire end ferrule                       |  | Stripping length             | nominal 8 mm                 |
|  |  | Recommended wire-end ferrule | <a href="#">H0.34/10 TK</a>  |

Reference text Length of ferrules is to be chosen depending on the product and the rated voltage., The outside diameter of the plastic collar should not be larger than the pitch (P)

## Rated data acc. to IEC

|   |                        |   |       |
|---|------------------------|---|-------|
| tested acc. to standard   | IEC 60664-1, IEC 61984 | Rated current, min. number of poles (Tu=20°C)                         | 24 A  |
| Rated current, max. number of poles (Tu=20°C)                             | 24 A                   | Rated current, min. number of poles (Tu=40°C)                         | 24 A  |
| Rated current, max. number of poles (Tu=40°C)                             | 24 A                   | Rated voltage for surge voltage class / pollution degree II/2         | 630 V |
| Rated voltage for surge voltage class / pollution degree III/2            | 320 V                  | Rated voltage for surge voltage class / pollution degree III/3        | 250 V |
| Rated impulse voltage for surge voltage class/ pollution degree II/2      | 4 kV                   | Rated impulse voltage for surge voltage class/ pollution degree III/2 | 4 kV  |
| Rated impulse voltage for surge voltage class/ contamination degree III/3 | 4 kV                   |   |       |

## Rated data acc. to CSA

|                                   |        |                                   |        |
|-----------------------------------|--------|-----------------------------------|--------|
| Rated voltage (Use group B / CSA) | 300 V  | Rated voltage (Use group D / CSA) | 300 V  |
| Rated current (Use group B / CSA) | 10 A   | Rated current (Use group D / CSA) | 10 A   |
| Wire cross-section, AWG, min.     | AWG 26 | Wire cross-section, AWG, max.     | AWG 14 |

Creation date January 29, 2022 3:49:19 AM CET

## LMZF 5/4/135 3.50R

Weidmüller Interface GmbH &amp; Co. KG

Klingenbergstraße 26

D-32758 Detmold

Germany

www.weidmueller.com

## Technical data

## Rated data acc. to UL 1059

Institute (cURus)



Certificate No. (cURus)

E60693

Rated voltage (Use group B / UL 1059) 300 V

Rated voltage (Use group D / UL 1059) 300 V

Rated current (Use group B / UL 1059) 15 A

Rated current (Use group D / UL 1059) 10 A

Wire cross-section, AWG, min. AWG 26

Wire cross-section, AWG, max. AWG 14

Reference to approval values

Specifications are maximum values, details - see approval certificate.

## Packing

|           |        |            |        |
|-----------|--------|------------|--------|
| Packaging | Box    | VPE length | 279 mm |
| VPE width | 153 mm | VPE height | 60 mm  |

## Classifications

|             |             |             |             |
|-------------|-------------|-------------|-------------|
| ETIM 6.0    | EC002643    | ETIM 7.0    | EC002643    |
| ETIM 8.0    | EC002643    | ECLASS 9.0  | 27-44-04-01 |
| ECLASS 9.1  | 27-44-04-01 | ECLASS 10.0 | 27-44-04-01 |
| ECLASS 11.0 | 27-46-01-01 |             |             |

## Important note

IPC conformity

Conformity: The products are developed, manufactured and delivered according international recognized standards and norms and comply with the assured properties in the data sheet resp. fulfill decorative properties in accordance with IPC-A-610 "Class 2". Further claims on the products can be evaluated on request.

Notes

- Rated current related to rated cross-section & min. No. of poles.
- Wire end ferrule without plastic collar to DIN 46228/1
- Wire end ferrule with plastic collar to DIN 46228/4
- P on drawing = pitch
- Rated data refer only to the component itself. Clearance and creepage distances to other components are to be designed in accordance with the relevant application standards.
- Long term storage of the product with average temperature of 50 °C and average humidity 70%, 36 months

## Approvals

Approvals



ROHS Conform

UL File Number Search E60693

**LMZF 5/4/135 3.50R****Weidmüller Interface GmbH & Co. KG**

Klingenbergstraße 26

D-32758 Detmold

Germany

[www.weidmueller.com](http://www.weidmueller.com)**Technical data****Downloads**

|   |   |
|---|---|
| Approval/Certificate/Document of Conformity | <a href="#">Declaration of the Manufacturer</a>   |
| Engineering Data                            | <a href="#">CAD data – STEP</a>   |
| Engineering Data                            | <a href="#">WSCAD</a>   |
| Catalogues                                  | <a href="#">Catalogues in PDF-format</a>  |
| Brochures                                   | <a href="#">FL DRIVES EN</a><br><a href="#">FL ANALO.SIGN.CONV. EN</a><br><a href="#">MB DEVICE MANUF. EN</a><br><a href="#">FL DRIVES DE</a><br><a href="#">FL BUILDING SAFETY EN</a><br><a href="#">FL APPL LED LIGHTING EN</a><br><a href="#">FLIndustr.CONTROLS EN</a><br><a href="#">FL MACHINE SAFETY EN</a><br><a href="#">FL HEATING ELECTR EN</a><br><a href="#">FL APPL INVERTER EN</a><br><a href="#">FL_BASE_STATION_EN</a><br><a href="#">FL ELEVATOR EN</a><br><a href="#">FL POWER SUPPLY EN</a><br><a href="#">FL 72H SAMPLE SER EN</a><br><a href="#">PO OMNIMATE EN</a><br><a href="#">PO OMNIMATE EN</a> |

**Data sheet**

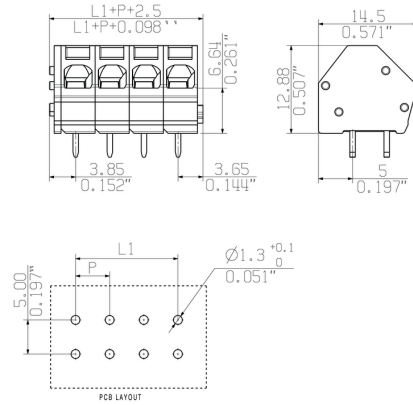
**LMZF 5/4/135 3.50R**

**Weidmüller Interface GmbH & Co. KG**  
 Klingenbergstraße 26  
 D-32758 Detmold  
 Germany

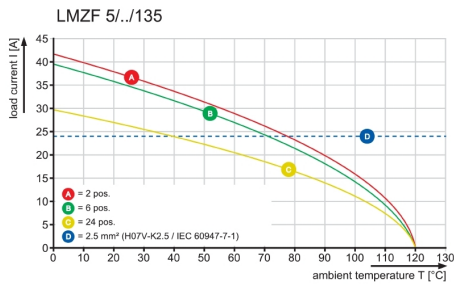
www.weidmueller.com

**Drawings**

**Dimensional drawing**



**Graph**



## Recommended wave soldering profiles

**Weidmüller Interface GmbH & Co. KG**  
 Klingenbergstraße 16  
 D-32758 Detmold  
 Germany  
 Fon: +49 5231 14-0  
 Fax: +49 5231 14-292083  
 www.weidmueller.com

### Single Wave:



### Double Wave:



### Wave soldering profiles

Wired connection elements should be processed in accordance with the DIN EN 61760-1 standard. We have included two recommendations for practical wave soldering profiles, with which Weidmüller PCB terminals and connectors are qualified.

When choosing a suitable profile for your application, the following factors also need to be considered:

- PCB thickness
- Proportion of Cu in the layers
- Single/double-sided assembly
- Product range
- Heating and cooling rates

The single and double wave profiles each indicate the recommended operating range, including the maximum soldering temperature of 260°C. In practice, the maximum soldering temperature is quite often well below the above maximum profile.

# Mouser Electronics

Authorized Distributor

Click to View Pricing, Inventory, Delivery & Lifecycle Information:

[Weidmuller:](#)

[1913960000](#)