

HDC HA 16 MC**Weidmüller Interface GmbH & Co. KG**

Klingenbergstraße 26

D-32758 Detmold

Germany

www.weidmueller.com



The small and thin HA series can be used wherever space is limited.

The wire connection level is designed as a crimp contact. The established crimp connection has been used as a standard for decades.

Crimp contacts are not delivered with the inserts.

Pole count: 16

Rated current: 22 A

Rated voltage 250 V

Nominal voltage acc. to UL/CSA: 600 V AC/DC

Crimp connection

General ordering data

Version	HDC insert, Male, 250 V, 16 A, Number of poles: 16, Crimp connection, Size: 5
Order No.	1873890000
Type	HDC HA 16 MC
GTIN (EAN)	4032248458400
Qty.	1 pc(s).

Creation date January 28, 2022 9:18:41 PM CET

Catalogue status 14.01.2022 / We reserve the right to make technical changes.

HDC HA 16 MC

Weidmüller Interface GmbH & Co. KG

Klingenbergstraße 26

D-32758 Detmold

Germany

www.weidmueller.com

Technical data

Dimensions and weights

Depth	73 mm	Depth (inches)	2.874 inch
Height	29 mm	Height (inches)	1.142 inch
Width	23 mm	Width (inches)	0.906 inch
Net weight	34 g		

Temperatures

Limit temperature	-40 °C ... 125 °C
-------------------	-------------------

Environmental Product Compliance

REACH SVHC Potassium perfluorobutane sulfonate 29420-49-3

Chemical resistance	Substance	Acetone
	Chemical resistance	Resistant
	Substance	Ammonia, watery
	Chemical resistance	Conditionally resistant
	Substance	Petrol
	Chemical resistance	Resistant
	Substance	Benzene
	Chemical resistance	Resistant
	Substance	Diesel oil
	Chemical resistance	Conditionally resistant
	Substance	Acetic acid, concentrated
	Chemical resistance	Resistant
	Substance	Potassium hydroxide
	Chemical resistance	Conditionally resistant
	Substance	Methanol
	Chemical resistance	Conditionally resistant
	Substance	Motor oil
Chemical resistance	Conditionally resistant	
Substance	Lye, diluted	
Chemical resistance	Resistant	
Substance	Hydrochlorofluorocarbons	
Chemical resistance	Conditionally resistant	
Substance	Outdoor use	
Chemical resistance	Conditionally resistant	

Dimensions

Height of plug	29 mm	Total length base	73 mm
Width	23 mm		

HDC HA 16 MC

Weidmüller Interface GmbH & Co. KG

Klingenbergstraße 26

D-32758 Detmold

Germany

www.weidmueller.com

Technical data

General data

BG	5	Conductor cross-section	2.5 mm ²
Insulating material	PC glass-fibre reinforced (UL-listed and railway-certified)	Insulating material group	IIIa
Insulation strength	10 ¹⁰ Ω	Number of poles	16
Plugging cycles, gold	≥ 500	Plugging cycles, silver	≥ 500
Pollution severity	3	Rated current (DIN EN 61984)	16 A
Rated impulse voltage (DIN EN 61984)	4 kV	Rated voltage (DIN EN 61984)	250 V
Rated voltage according to UL/CSA	600 V AC/DC	Series	HA
Size	5	Type	Male
UL 94 flammability rating	V-0	Volume resistance	≤2 mΩ

Connection data PE

Blade size, slotted (PE connection)	SD 0.8 x 4.0	Connection type PE	Screw connection
Fixing screw	M 4	Rated cross-section	2.5 mm ²
Stripping length PE connection	10 mm	Tightening torque, max. PE connection	1.5 Nm
Tightening torque, min. PE connection	1.2 Nm	Wire cross section, AWG (PE), max.	AWG 14
Wire cross section, AWG (PE), min.	AWG 20		

Version

BG	5	Conductor cross-section, max.	4 mm ²
Conductor cross-section, min.	0.5 mm ²	Size	5
Stripping length, rated connection	8 mm	Type of connection	Crimp connection
Volume resistance	≤2 mΩ	Wire connection cross section AWG, max.	AWG 12
Wire connection cross section AWG, min.	AWG 20	Wire connection cross section, finely stranded, max.	2.5 mm ²
Wire connection cross section, finely stranded, min.	0.5 mm ²	Wire connection cross-section, finely stranded with wire-end ferrules DIN 46228/4, max.	2.5 mm ²
Wire connection cross-section, finely stranded with wire-end ferrules DIN 46228/4, min.	0.5 mm ²	Wire cross-section, solid, max.	2.5 mm ²
Wire cross-section, solid, min.	0.5 mm ²		

Classifications

ETIM 6.0	EC000438	ETIM 7.0	EC000438
ETIM 8.0	EC000438	ECLASS 9.0	27-44-02-05
ECLASS 9.1	27-44-02-05	ECLASS 10.0	27-44-02-05
ECLASS 11.0	27-44-02-05		

Approvals

Approvals



ROHS	Conform
UL File Number Search	E92202

Creation date January 28, 2022 9:18:41 PM CET

Catalogue status 14.01.2022 / We reserve the right to make technical changes.

3

HDC HA 16 MC

Weidmüller Interface GmbH & Co. KG
Klingenbergstraße 26
D-32758 Detmold
Germany

www.weidmueller.com

Technical data**Downloads**

Engineering Data	CAD data – STEP
Engineering Data	EPLAN, WSCAD
Technical Documentation	1873890000 HDC HA 16 MC STP Blatt_1.pdf
Catalogues	Catalogues in PDF-format
Brochures	FL FIELDWIRING EN FL FIELDWIRING EN

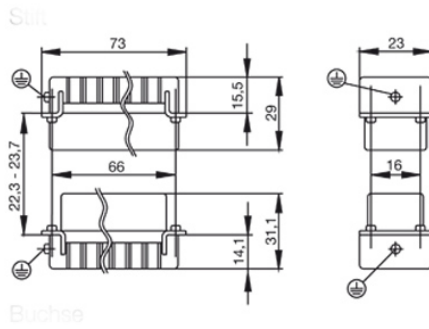
HDC HA 16 MC

Weidmüller Interface GmbH & Co. KG
Klingenbergstraße 26
D-32758 Detmold
Germany

www.weidmueller.com

Drawings

Abmessungen



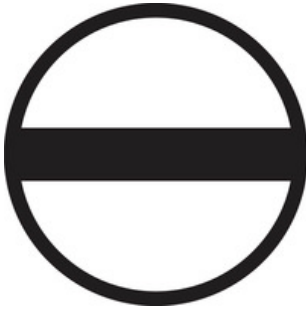
HDC HA 16 MC

Weidmüller Interface GmbH & Co. KG
 Klingenbergstraße 26
 D-32758 Detmold
 Germany

www.weidmueller.com

Accessories

Slotted screwdriver



VDE insulated slot-head screwdriver, SDI DIN 7437, ISO 2380/2, drive output acc. to DIN 5264, ISO 2380/1. SoftFinish grip

General ordering data

Type	SDIS 0.8X4.0X100	Version
Order No.	9008400000	Screwdriver, Screwdriver
GTIN (EAN)	4032248056361	
Qty.	1 pc(s).	
Type	SDIS 0.6X3.5X100	Version
Order No.	9008390000	Screwdriver, Screwdriver
GTIN (EAN)	4032248056354	
Qty.	1 pc(s).	

Crimp contacts HE



Crimps provide a electrical and mechanical connection between wire and contact that is both secure and reliable. The optimal crimp connection is gas-tight and corrosion-resistant.

General ordering data

Type	HDC-C-HE-SM2.5AU	Version
Order No.	1651450000	Heavy-duty connectors, Crimp contact, HE, HEE, HQ, MixMate, Pin,
GTIN (EAN)	4008190400125	Conductor cross-section, max.: 2.5, turned, Copper alloy
Qty.	100 pc(s).	
Type	HDC-C-HE-SM4.0AU	Version
Order No.	1651460000	Heavy-duty connectors, Crimp contact, HE, HEE, HQ, MixMate, Pin,
GTIN (EAN)	4008190400132	Conductor cross-section, max.: 4, turned, Copper alloy
Qty.	100 pc(s).	
Type	HDC-C-HE-SM2.5AG	Version
Order No.	1200800000	Heavy-duty connectors, Crimp contact, HE, HEE, HQ, MixMate, Pin,
GTIN (EAN)	4008190131913	Conductor cross-section, max.: 2.5, turned, Copper alloy
Qty.	100 pc(s).	
Type	HDC-C-HE-SM4.0AG	Version
Order No.	1200900000	Heavy-duty connectors, Crimp contact, HE, HEE, HQ, MixMate, Pin,
GTIN (EAN)	4008190115906	Conductor cross-section, max.: 4, turned, Copper alloy
Qty.	100 pc(s).	

HDC HA 16 MC

Weidmüller Interface GmbH & Co. KG

Klingenbergstraße 26

D-32758 Detmold

Germany

www.weidmueller.com

Accessories

Type	HDC-C-HE-SM0.75-1.00AU	Version
Order No.	1651430000	Heavy-duty connectors, Crimp contact, HE, HEE, HQ, MixMate, Pin,
GTIN (EAN)	4008190400101	Conductor cross-section, max.: 1, turned, Copper alloy
Qty.	100 pc(s).	
Type	HDC-C-HE-SM1.5AG	Version
Order No.	1200700000	Heavy-duty connectors, Crimp contact, HE, HEE, HQ, MixMate, Pin,
GTIN (EAN)	4008190074920	Conductor cross-section, max.: 1.5, turned, Copper alloy
Qty.	100 pc(s).	
Type	HDC-C-HE-SM0.75-1.00AG	Version
Order No.	1200600000	Heavy-duty connectors, Crimp contact, HE, HEE, HQ, MixMate, Pin,
GTIN (EAN)	4008190171308	Conductor cross-section, max.: 1, turned, Copper alloy
Qty.	100 pc(s).	
Type	HDC-C-HE-SM1.5AU	Version
Order No.	1651440000	Heavy-duty connectors, Crimp contact, HE, HEE, HQ, MixMate, Pin,
GTIN (EAN)	4008190400118	Conductor cross-section, max.: 1.5, turned, Copper alloy
Qty.	100 pc(s).	
Type	HDC-C-HE-SM4.65AU	Version
Order No.	1116540000	Heavy-duty connectors, Crimp contact, HE, HEE, HQ, MixMate, Pin,
GTIN (EAN)	4032248897261	Conductor cross-section, max.: 4.65, turned, Copper alloy
Qty.	100 pc(s).	
Type	HDC-C-HE-SM0.5AG	Version
Order No.	1200500000	Heavy-duty connectors, Crimp contact, HE, HEE, HQ, MixMate, Pin,
GTIN (EAN)	4008190159627	Conductor cross-section, max.: 0.5, turned, Copper alloy
Qty.	100 pc(s).	
Type	HDC-C-HE-SM0.5AU	Version
Order No.	1651420000	Heavy-duty connectors, Crimp contact, HE, HEE, HQ, MixMate, Pin,
GTIN (EAN)	4008190400095	Conductor cross-section, max.: 0.5, turned, Copper alloy
Qty.	100 pc(s).	

HE

Various accessories are available for our inserts. This includes coding elements for the inserts.



General ordering data

Type	HDC HE CP	Version
Order No.	1003240000	Heavy-duty connectors, Accessories, Coding System
GTIN (EAN)	4032248698233	
Qty.	100 pc(s).	

HDC HA 16 MC

Weidmüller Interface GmbH & Co. KG
 Klingenbergstraße 26
 D-32758 Detmold
 Germany

www.weidmueller.com

Accessories

Contact removal tools



Weidmüller offers a variety of crimping tools, contact removal tools, and fibre optic tools.

General ordering data

Type	REMOVAL TOOL HE	Version
Order No.	1866750000	Tools, Contact Removal Tool
GTIN (EAN)	4032248437078	
Qty.	1 pc(s).	

Crosshead screwdriver Phillips



VDE insulated crosshead screwdriver, for Phillips screws, SDIK PH DIN 7438, ISO 8764/2-PH, output to ISO 8764-PH, SoftFinish grip

General ordering data

Type	SDIK PH1	Version
Order No.	9008570000	Screwdriver, Screwdriver
GTIN (EAN)	4032248056569	
Qty.	1 pc(s).	

HDC HA 16 MC

Weidmüller Interface GmbH & Co. KG
 Klingenbergstraße 26
 D-32758 Detmold
 Germany

www.weidmueller.com

Accessories

Crimping tools



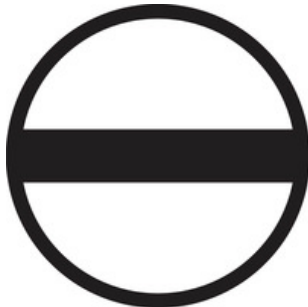
Crimping tools for turned contacts

- Ratchet guarantees precise crimping
- Release option in the event of incorrect operation
- With stop for exact positioning of the contacts.

General ordering data

Type	CTIN CM 1.6/2.5	Version
Order No.	9205430000	Pressing tool, Crimping tool for contacts, 0.14mm ² , 6mm ² , 4-indent
GTIN (EAN)	4032248733446	crimp
Qty.	1 pc(s).	
Type	CTX CM 1.6/2.5	Version
Order No.	9018490000	Pressing tool, Crimping tool for contacts, 0.14mm ² , 4mm ² , W crimp
GTIN (EAN)	4008190884598	
Qty.	1 pc(s).	

Slotted screwdriver



Slotted screwdriver with rounded blade SD DIN 5265, ISO 2380/2, output to DIN 5264, ISO 2380/1. ChromTop tip, SoftFinish grip

General ordering data

Type	SDS 0.8X4.0X100	Version
Order No.	9008340000	Screwdriver, Screwdriver
GTIN (EAN)	4032248056293	
Qty.	1 pc(s).	
Type	SDS 0.6X3.5X100	Version
Order No.	9008330000	Screwdriver, Screwdriver
GTIN (EAN)	4032248056286	
Qty.	1 pc(s).	

HDC HA 16 MC

Weidmüller Interface GmbH & Co. KG
 Klingenbergstraße 26
 D-32758 Detmold
 Germany

www.weidmueller.com

Accessories

DSTV



Various accessories are available for our inserts. This includes coding elements for the inserts.

General ordering data

Type	DSTV COBU5	Version
Order No.	1471500000	Heavy-duty connectors, Accessories, Coding element
GTIN (EAN)	4008190178543	
Qty.	100 pc(s).	
Type	DSTV COST4	Version
Order No.	1471300000	Heavy-duty connectors, Accessories, Coding System
GTIN (EAN)	4008190017354	
Qty.	100 pc(s).	

Crosshead screwdriver Phillips



Crosshead screwdriver, Phillips, SDK PH DIN 5262, ISO 8764/2-PH, output to ISO 8764-PH, ChromTop tip, SoftFinish grip

General ordering data

Type	SDK PH1	Version
Order No.	9008480000	Screwdriver, Screwdriver
GTIN (EAN)	4032248056477	
Qty.	1 pc(s).	

Tightening torques and screwing tools

Screw size	Connector type	Dia. tightening torque in Nm	Recommended blade inserts and AF size for hexagon socket
M 2.5	Signal contacts		
	S 6/6	0.5 - 0.55	SD 0.6 x 3.5 mm or PZ0
	S 6/12	0.5 - 0.55	SD 0.6 x 3.5 mm or PZ0
M 2.9 x 0.5	Fastening screws		
	HQ 4/2	0.8 (plastic) / 1.1 (metal)	SD 0.6 x 3.5 mm or PH0
	HQ 8	0.8 (plastic) / 1.1 (metal)	SD 0.6 x 3.5 mm or PH0
	HQ 17	0.8 (plastic) / 1.1 (metal)	SD 0.6 x 3.5 mm or PH0
M 3	Contact screws		
	HA 3	0.5 - 0.55	SD 0.5 x 3.0 mm
	HA 4	0.5 - 0.55	SD 0.5 x 3.0 mm
	HA 10 bis HA 48	0.5 - 0.55	SD 0.6 x 3.5 mm or PH0
	HE	0.5 - 0.55	SD 0.6 x 3.5 mm or PZ0
	HVE	0.5 - 0.55	SD 0.6 x 3.5 mm or PZ0
	Signal contacts:		
	S 4/2	0.5 - 0.55	SD 0.6 x 3.5 mm or PZ0
	S 4/8	0.5 - 0.55	SD 0.6 x 3.5 mm or PZ0
	PE connection via female contact		
	S 4	0.5 - 0.8	SD 0.6 x 3.5 mm
	ConCept modular frame, metal	0.5 - 0.55	SD 0.6 x 3.5 mm
	PE terminal		
	HQ 5	0.5 - 0.55	SD 0.6 x 3.5 or 0.8 x 4 mm
	HQ 7	0.5 - 0.55	SD 0.6 x 3.5 or 0.8 x 4 mm
	Fastening screws	0.5 - 0.55	SD 0.6 x 3.5 mm or PZ0
	Guide pin	0.5 - 0.55	SD 0.6 x 3.5 mm or PZ0
	Guide bush	0.5 - 0.55	SD 0.6 x 3.5 mm or PZ0
	Coding pins	0.5 - 0.55	SD 0.6 x 3.5 mm or PZ0
	M 4	Contact screws	
HSB		1.2 - 1.5	SD 0.6 x 3.5 or 0.8 x 4 mm or PZ1
PE connection via male contact			
S 4		0.5 - 0.8	SD 0.6 x 3.5 mm
ConCept modular frame, metal		1.2 - 1.5	SD 0.6 x 3.5 mm
PE terminal			
HA		1.2 - 1.5	SD 0.6 x 3.5 or 0.8 x 4 mm or PH1
HE		1.2 - 1.5	SD 0.6 x 3.5 or 0.8 x 4 mm or PH1
HEE		1.2 - 1.5	SD 0.6 x 3.5 or 0.8 x 4 mm or PH1
HVE		1.2 - 1.5	SD 0.6 x 3.5 or 0.8 x 4 mm or PH1
HD		1.2 - 1.5	SD 0.6 x 3.5 or 0.8 x 4 mm or PZ1
HDD		1.2 - 1.5	SD 0.6 x 3.5 or 0.8 x 4 mm or PZ1
S 6/6 (for signal contacts)		1.2 - 1.5	0.8 x 4 mm or PZ1
ConCept modular frame, plastic		1.2 - 1.5	0.8 x 4 mm or PZ1
M 5		PE terminal	
	HSB	2 - 2.5	SD 1 x 5.5 mm or PZ2
	S 4/0 (Screw connection)	2 - 2.5	SD 1.2 x 6.5 mm or PH2
	S 4/0 (Axial screw connection)	2 - 2.5	SD 0.8 x 4 mm or PZ 2
	S 4/2	2 - 2.5	SD 1.2 x 6.5 mm or PH2
	S 4/8	2 - 2.5	SD 1.2 x 6.5 mm or PH2
	S 6/12	2 - 2.5	SD 0.8 x 4 mm or PZ 2
	S 6/36	2 - 2.5	SD 1.2 x 6.5 mm or PH2
	S 8/24	2 - 2.5	SD 1.2 x 6.5 mm or PH2
	S 12/2	2 - 2.5	SD 1.2 x 6.5 mm or PH2
	M 6	Power contacts	
S 4/0 (Screw connection)		1.2 (1.5 mm ²) / 2 (2.5 mm ²) / 3 (4-16 mm ²)	SD 0.8 x 4 mm
S 4/2		1.2 (1.5 mm ²) / 2 (2.5 mm ²) / 3 (4-16 mm ²)	SD 0.8 x 4 mm
S 4/8		1.2 (1.5 mm ²) / 2 (2.5 mm ²) / 3 (4-16 mm ²)	SD 0.8 x 4 mm
M 7 x 0.75	Power contacts		
	S 4	1.1 - 1.7	SW 2
	S 6/6 (+ PE)	6 - 8	SW 4
M 8 x 0.75	Power contacts		
	S 6/12	1.1 - 1.7	SW 2
	S 8/0 (+ PE)	6 (10-16 mm ²) - 7 (25 mm ²)	SW 4
M10 x 1	Power contacts		
	S 4/0 (Axial connection)	2 - 3	SW 3

Increasing the tightening torque does not improve the contact resistance. The stated torque settings offer optimal mechanical, thermal and electrical conditions. Exceeding the recommended values may even damage the conductor and terminal.

Mouser Electronics

Authorized Distributor

Click to View Pricing, Inventory, Delivery & Lifecycle Information:

[Weidmuller:](#)

[1873890000](#)