

SAIL-VSA-10U(0.5)**Weidmüller Interface GmbH & Co. KG**

Klingenbergstraße 26

D-32758 Detmold

Germany

www.weidmueller.com



Weidmüller can supply valve plugs as connecting lines with M12 plugs and one end without connector. The status of the valve plug is shown by an LED. Every valve plug is fitted with a protective circuit. The Weidmüller range includes valve plugs of type A, B and C to DIN and industry standards. In the plugged condition they achieve IP 67 class of protection. The outlet direction is also a decisive factor: Weidmüller can also supply 0° versions, i.e. the cable outlet direction is located at the PE contact.

General ordering data

Version	Valve plug with integral seal, One end without connector - valve plug, A
Order No.	1845121000
Type	SAIL-VSA-10U(0.5)
GTIN (EAN)	4032248358069
Qty.	1 pc(s).

Creation date January 28, 2022 10:36:01 AM CET

Catalogue status 14.01.2022 / We reserve the right to make technical changes.

SAIL-VSA-10U(0.5)**Weidmüller Interface GmbH & Co. KG**

Klingenbergstraße 26

D-32758 Detmold

Germany

www.weidmueller.com

Technical data**Dimensions and weights**

Net weight 317 g

Technical specifications for cable

Cable length	10 m	Core cross-section	0.5 mm ²
Halogen	No	Number of poles	3
Outside diameter	4.6 mm ± 0.2 mm	Sheath material	PUR
Sheathing colour	black	Shielded	No
Suitable for cable carriers	Yes	Temperature range, moving	-25...80 °C

General technical data

All valve plugs are fitted with protective circuits	Suppressor diode	Coding	Design A (18 mm)
Connection thread	Miscellaneous	Contact surface	tinned
LED	Yes	Protection degree	IP67, when screwed in
Rated current	4 A	Rated voltage	24 V
Temperature range of housing	-25...+80 °C	Version	One end without connector - valve plug

Classifications

ETIM 6.0	EC001855	ETIM 7.0	EC001855
ETIM 8.0	EC001855	ECLASS 9.0	27-06-03-12
ECLASS 9.1	27-06-03-11	ECLASS 10.0	27-06-03-12
ECLASS 11.0	27-06-03-12		

Approvals

Approvals



ROHS Conform

Downloads

Engineering Data	CAD data – STEP
Catalogues	Catalogues in PDF-format
Brochures	FL FIELDWIRING EN

Data sheet

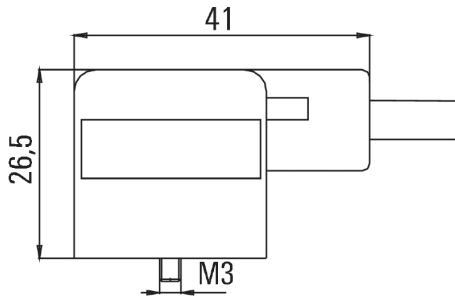
SAIL-VSA-10U(0.5)

Weidmüller Interface GmbH & Co. KG
 Klingenbergstraße 26
 D-32758 Detmold
 Germany

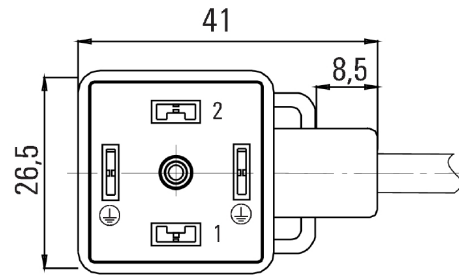
www.weidmueller.com

Drawings

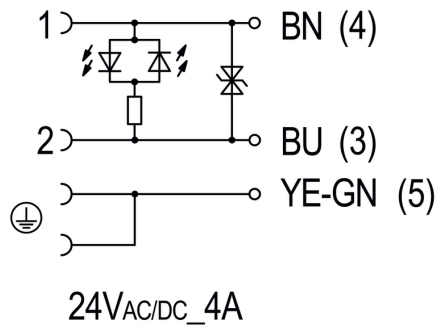
Dimensioned drawing



Pole scheme



Wiring diagram



Mouser Electronics

Authorized Distributor

Click to View Pricing, Inventory, Delivery & Lifecycle Information:

[Weidmuller:](#)

[1845121000](#)