

SAI-8-M16 3P M8**Weidmüller Interface GmbH & Co. KG**

Klingenbergstraße 26

D-32758 Detmold

Germany

www.weidmueller.com



The new slim M8 line from Weidmüller. This range of products is characterised by the marking options at all connection positions. Even the 4-way distributor with 8-pole M12 has adequately large markers at all M8 connection positions. Furthermore, this distributor is shorter than many conventional M8 designs.

- Very narrow, short and flat M8 distributor.
- The range is supplied with 4 to 12 M8 connection positions, 3 or 4 poles.
- Hybrid variants of the M8 are also possible on request.
- The M8 line is equipped with transverse holes.

General ordering data

Version	SAI Passive, Sensor-actuator passive distributor, M8, with M16 outlet, 12-pole, Yes
Order No.	1795900000
Type	SAI-8-M16 3P M8
GTIN (EAN)	4032248235155
Qty.	1 pc(s).

Creation date January 28, 2022 2:55:36 AM CET

Catalogue status 14.01.2022 / We reserve the right to make technical changes.

SAI-8-M16 3P M8

Weidmüller Interface GmbH & Co. KG

Klingenbergstraße 26

D-32758 Detmold

Germany

www.weidmueller.com

Technical data

Dimensions and weights

Depth	100 mm	Depth (inches)	3.937 inch
Height	24 mm	Height (inches)	0.945 inch
Width	48 mm	Width (inches)	1.89 inch
Net weight	162 g		

Temperatures

Operating temperature	-20 - 90°C
-----------------------	------------

Environmental Product Compliance

REACH SVHC	Lead 7439-92-1
------------	----------------

Connection data

Distributor outlet	with M16 outlet, 12-pole
--------------------	--------------------------

Electrical data

Rated voltage, min.	10 V	Rated voltage, max.	30 V
Test voltage	1 kV	Max. current-carrying capacity per slot	2 A
Total current	8 A	Current per signal	2 A
Insulation strength	10 ⁹ Ω		

General technical data

Protection degree	IP68	Number of poles	3
Number of contact sockets	8	Connection thread	M8
Pollution severity	3	Fire behaviour	V-0
LED	Yes	LED initiator	Yes
LED colour for indicating operation	green	LED colour for I/O function	yellow

Material data

Material O-Ring	FKM	Housing main material	PBT
Material of distributor	Plastic	Housing colour	black (similar to RAL 9005)
Screw socket	Nickel-plated CuZn	Contact material	CuZn
Contact surface	Gold-plated	Contact carrier material	PBT (UL 94 V0)

Technical data cable

Number of poles	3	Suitable for cable carriers	No
-----------------	---	-----------------------------	----

Classifications

ETIM 6.0	EC002585	ETIM 7.0	EC003558
ETIM 8.0	EC003558	ECLASS 9.0	27-44-01-08
ECLASS 9.1	27-44-01-08	ECLASS 10.0	27-44-01-11
ECLASS 11.0	27-44-01-11		

SAI-8-M16 3P M8

Weidmüller Interface GmbH & Co. KG
Klingenbergstraße 26
D-32758 Detmold
Germany

www.weidmueller.com

Technical data**Approvals**

Approvals



ROHS

Conform

Downloads

Engineering Data	CAD data – STEP
Engineering Data	WSCAD
Catalogues	Catalogues in PDF-format
Brochures	FL FIELDWIRING EN FL FIELDWIRING EN

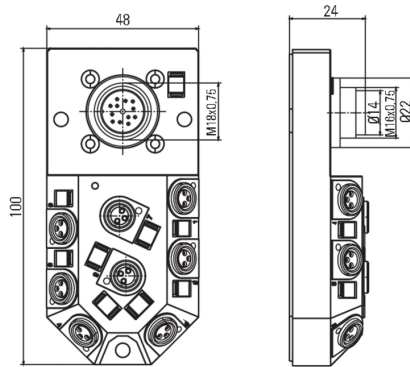
SAI-8-M16 3P M8

Weidmüller Interface GmbH & Co. KG
 Klingenbergstraße 26
 D-32758 Detmold
 Germany

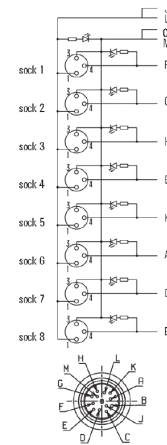
Drawings

www.weidmueller.com

Dimensioned drawing



Wiring diagram



SAI-8-M16 3P M8

Weidmüller Interface GmbH & Co. KG
 Klingenbergstraße 26
 D-32758 Detmold
 Germany

www.weidmueller.com

Accessories

Screwty® cable gland tool with torque function

**The ideal tool for any application**

Screwty® is the ideal, all-purpose tool for tightening all common sensor and actuator cables. Even difficult-to-reach round plugs are accessible using the Screwty®. A simple turning movement tightens and loosens the connectors without the need for excessive force. The Screwty® is a unique and global solution since it fits with most cables and plugs from other vendors (over 90 %). The Screwty® consists of a handle with a conventional 1/4" adapter. Thus it can be used for all sizes: for M12 and M8 round plug-in connectors, and for M12F and M8F customisable plugs and sockets, as well as for all M23 plugs and sockets.

General ordering data

Type	SCREWTY SET -DM	Version
Order No.	1920000000	Bolting tool
GTIN (EAN)	4032248436859	
Qty.	1 pc(s).	

Blank



The Dekafix (DEK) marker is the universal marker for all conductor and plug-in connectors as well as for electronic sub-assemblies. The system is ideal for short number sequences and covers a wide range of ready-printed markers.

Strips for fast installation in only one work step. The printing is easy to read, rich in contrast and available in various widths.

- Large range of ready-to-use markers
- Strips for fast installation
- Terminal markers, suitable for all Weidmüller cable connectors
- Available as blank MultiCard or with standard printing

For custom printing: Please send us a file of our labeling software M-Print PRO or M-Print PRO Online (without installation) for your labeling specifications.

General ordering data

Type	DEK 5/5 MC NE WS	Version
Order No.	1609801044	Dekafix, Terminal marker, 5 x 5 mm, Pitch in mm (P): 5.00
GTIN (EAN)	4008190397111	Weidmueller, white
Qty.	1,000 pc(s).	

SAI-8-M16 3P M8

Weidmüller Interface GmbH & Co. KG
Klingenbergstraße 26
D-32758 Detmold
Germany

www.weidmueller.com

Accessories**M8**

Protective caps protect unassigned plug-in stations against external influences.

General ordering data

Type	SAI-SK M8	Version
Order No.	1802760000	Protected component assemblies, Protective cap
GTIN (EAN)	4032248257379	
Qty.	50 pc(s).	

Mouser Electronics

Authorized Distributor

Click to View Pricing, Inventory, Delivery & Lifecycle Information:

[Weidmuller:](#)

[1795900000](#)