

## BLIDCB 3.50/02/-F SN OR BX

**Weidmüller Interface GmbH & Co. KG**

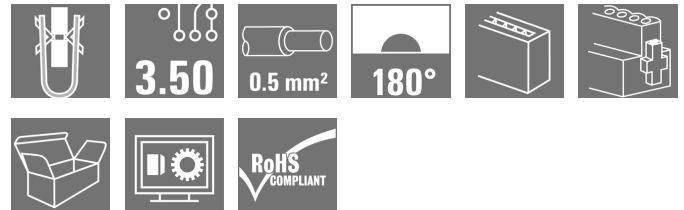
Klingenbergstraße 26

D-32758 Detmold

Germany

[www.weidmueller.com](http://www.weidmueller.com)

### Product image



Similar to illustration

Female connectors for fast processing with insulation displacement connectors (IDC) for connecting wires at 3.50 pitch. They provide space for labelling and can be coded.

### General ordering data

Version	PCB plug-in connector, female plug, 3.50 mm, Number of poles: 2, 90°/270°, IDC terminal, Clamping range, max. : 0.5 mm <sup>2</sup> , Box
Order No.	<a href="#">1751450000</a>
Type	BLIDCB 3.50/02/-F SN OR BX
GTIN (EAN)	4032248174386
Qty.	10 pc(s).
Product data	IEC: 250 V / 6 A / 0.35 - 0.5 mm <sup>2</sup> UL: 300 V / 7 A / AWG 22 - AWG 20
Packaging	Box

Creation date January 27, 2022 4:40:07 PM CET

**BLIDCB 3.50/02/-F SN OR BX**
**Weidmüller Interface GmbH & Co. KG**

Klingenbergstraße 26

D-32758 Detmold

Germany

www.weidmueller.com

**Technical data**
**Dimensions and weights**

Depth	21.2 mm	Depth (inches)	0.835 inch
Height	12.5 mm	Height (inches)	0.492 inch
Net weight	3.9 g		

**System Parameters**

Product family	OMNIMATE Signal - series BL/SL 3.50		
Type of connection	Field connection		
Wire connection method	IDC terminal		
Pitch in mm (P)	3.5 mm		
Pitch in inches (P)	0.138 inch		
Conductor outlet direction	90°/270°		
Number of poles	2		
L1 in mm	3.5 mm		
L1 in inches	0.138 inch		
Number of rows	1		
Pin series quantity	1		
Rated cross-section	0.5 mm <sup>2</sup>		
Touch-safe protection acc. to DIN VDE 57 106	Safe from finger touch		
Touch-safe protection acc. to DIN VDE 0470	IP 20		
Volume resistance	≤5 mΩ		
Can be coded	Yes		
Screwdriver blade	0.4 x 2.5		
Screwdriver blade standard	DIN 5264-A		
Plugging cycles	25		
Plugging force/pole, max.	7.5 N		
Pulling force/pole, max.	5.5 N		
Tightening torque	Torque type	Screw flange	
	Usage information	Tightening torque	min. 0.15 Nm max. 0.2 Nm

**Material data**

Insulating material	PBT	Colour	orange
Colour chart (similar)	RAL 2000	Insulating material group	IIIa
Comparative Tracking Index (CTI)	≥ 200	UL 94 flammability rating	V-0
Contact material	CuSn	Contact surface	tinned
Storage temperature, min.	-40 °C	Storage temperature, max.	70 °C
Operating temperature, min.	-50 °C	Operating temperature, max.	80 °C
Temperature range, installation, min.	-25 °C	Temperature range, installation, max.	80 °C

**BLIDCB 3.50/02/-F SN OR BX**
**Weidmüller Interface GmbH & Co. KG**

Klingenbergstraße 26

D-32758 Detmold

Germany

www.weidmueller.com


**Technical data**
**Conductors suitable for connection**

Clamping range, min.	0.32 mm <sup>2</sup>	Clamping range, max.	0.5 mm <sup>2</sup>
Wire connection cross section AWG, min.	AWG 22	Wire connection cross section AWG, max.	AWG 20
Solid, min. H05(07) V-U	0.35 mm <sup>2</sup>	Solid, max. H05(07) V-U	0.5 mm <sup>2</sup>
Flexible, min. H05(07) V-K	0.35 mm <sup>2</sup>	Flexible, max. H05(07) V-K	0.5 mm <sup>2</sup>
Outer diameter of insulation, max.	2.1 mm	Reference text	The outside diameter of the plastic collar should not be larger than the pitch (P). Length of ferrules is to be chosen depending on the product and the rated voltage.


**Rated data acc. to IEC**

tested acc. to standard	IEC 60664-1, IEC 61984	Rated current, min. number of poles (Tu=20°C)	6 A
Rated current, max. number of poles (Tu=20°C)	6 A	Rated current, min. number of poles (Tu=40°C)	6 A
Rated current, max. number of poles (Tu=40°C)	5 A	Rated voltage for surge voltage class / pollution degree II/2	250 V
Rated voltage for surge voltage class / pollution degree III/2	160 V	Rated voltage for surge voltage class / pollution degree III/3	160 V
Rated impulse voltage for surge voltage class/ pollution degree II/2	2.5 kV	Rated impulse voltage for surge voltage class/ pollution degree III/2	2.5 kV
Rated impulse voltage for surge voltage class/ contamination degree III/3	2.5 kV	Short-time withstand current resistance	3 x 1s with 60 A

**Rated data acc. to CSA**

Institute (CSA)		Certificate No. (CSA)	200039-1068660
Rated voltage (Use group B / CSA)	300 V	Rated voltage (Use group D / CSA)	300 V
Rated current (Use group B / CSA)	7 A	Rated current (Use group D / CSA)	7 A
Wire cross-section, AWG, min.	AWG 22	Wire cross-section, AWG, max.	AWG 20
Reference to approval values	Specifications are maximum values, details - see approval certificate.		

**Rated data acc. to UL 1059**

Institute (UR)		Certificate No. (UR)	E60693
Rated voltage (Use group B / UL 1059)	300 V	Rated voltage (Use group D / UL 1059)	300 V
Rated current (Use group B / UL 1059)	7 A	Rated current (Use group D / UL 1059)	7 A
Wire cross-section, AWG, min.	AWG 22	Wire cross-section, AWG, max.	AWG 20
Reference to approval values	Specifications are maximum values, details - see approval certificate.		

**BLIDCB 3.50/02/-F SN OR BX****Weidmüller Interface GmbH & Co. KG**

Klingenbergstraße 26

D-32758 Detmold

Germany

www.weidmueller.com

**Technical data****Packing**

Packaging	Box	VPE length	89 mm
VPE width	71 mm	VPE height	42 mm

**Type tests**

Test: Durability of markings	Standard	draft DIN VDE 0627 section 6.2.2 / 09.91
	Test	mark of origin, type identification, type of material
	Evaluation	available
	Test	durability
	Evaluation	passed

**Classifications**

ETIM 6.0	EC002638	ETIM 7.0	EC002638
ETIM 8.0	EC002638	ECLASS 9.0	27-44-03-09
ECLASS 9.1	27-44-03-09	ECLASS 10.0	27-44-03-09
ECLASS 11.0	27-46-02-02		

**Important note**

IPC conformity Conformity: The products are developed, manufactured and delivered according international recognized standards and norms and comply with the assured properties in the data sheet resp. fulfill decorative properties in accordance with IPC-A-610 "Class 2". Further claims on the products can be evaluated on request.

- Notes
- Additional colours on request
  - Rated current related to rated cross-section & min. No. of poles.
  - For IDC contact 0.5: cable acc. to DIN EN 60352-4
  - AWG conductor: solid, 7 or 19 strands only
  - Temperature range -20 to +80 °C
  - BLIDC 3.5 and BLIDCB 3.5 conductors "solid"/"flexible" to DIN 47726
  - P on drawing = pitch
  - Rated data refer only to the component itself. Clearance and creepage distances to other components are to be designed in accordance with the relevant application standards.

**Approvals**

Approvals



ROHS	Conform
UL File Number Search	E60693

## BLIDCB 3.50/02/-F SN OR BX

**Weidmüller Interface GmbH & Co. KG**  
Klingenbergstraße 26  
D-32758 Detmold  
Germany

[www.weidmueller.com](http://www.weidmueller.com)

## Technical data

### Downloads

Approval/Certificate/Document of Conformity	<a href="#">Declaration of the Manufacturer</a>
Engineering Data	<a href="#">CAD data – STEP</a>
Engineering Data	<a href="#">EPLAN, WSCAD</a>
Catalogues	<a href="#">Catalogues in PDF-format</a>
Brochures	<a href="#">FL DRIVES EN</a> <a href="#">MB DEVICE MANUF. EN</a> <a href="#">FL DRIVES DE</a> <a href="#">FL BUILDING SAFETY EN</a> <a href="#">FL APPL LED LIGHTING EN</a> <a href="#">FLIndustr.CONTROLS EN</a> <a href="#">FL MACHINE SAFETY EN</a> <a href="#">FL HEATING ELECTR EN</a> <a href="#">FL APPL INVERTER EN</a> <a href="#">FL_BASE_STATION_EN</a> <a href="#">FL ELEVATOR EN</a> <a href="#">FL POWER SUPPLY EN</a> <a href="#">FL 72H SAMPLE SER EN</a> <a href="#">PO OMNIMATE EN</a> <a href="#">PO OMNIMATE EN</a>

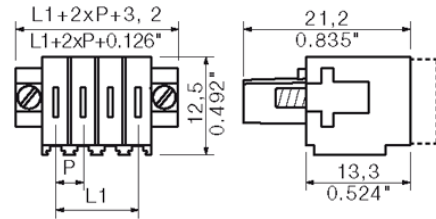
**BLIDCB 3.50/02/-F SN OR BX**

**Weidmüller Interface GmbH & Co. KG**  
 Klingenbergstraße 26  
 D-32758 Detmold  
 Germany

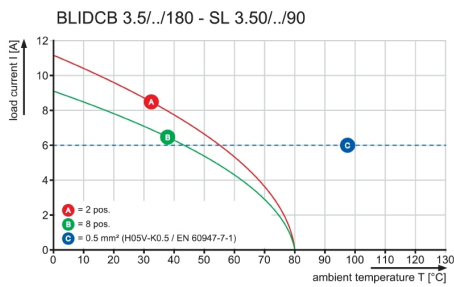
www.weidmueller.com

**Drawings**

**Dimensional drawing**



**Graph**



## BLIDCB 3.50/02/-F SN OR BX

**Weidmüller Interface GmbH & Co. KG**  
 Klingenbergstraße 26  
 D-32758 Detmold  
 Germany

www.weidmueller.com

# Accessories

## Coding elements



**Only connects what is supposed to be connected: the right connection at the right place.**

Coding elements and locking devices clearly assign connecting elements during the manufacturing process and operation

The coding elements and locking devices are inserted prior to assembly or during the cable assembly phase. The Weidmüller alternative: configure online using the variant configurator to precode prior to delivery.

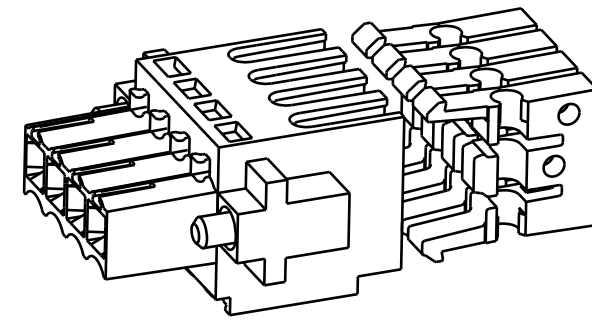
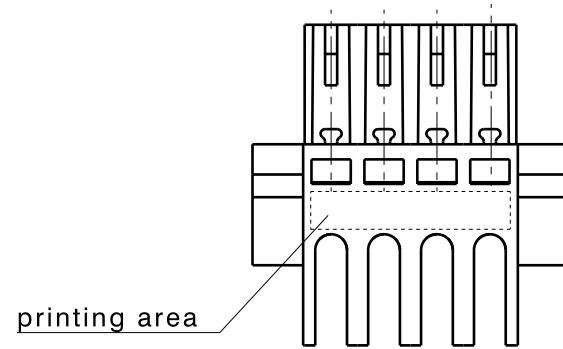
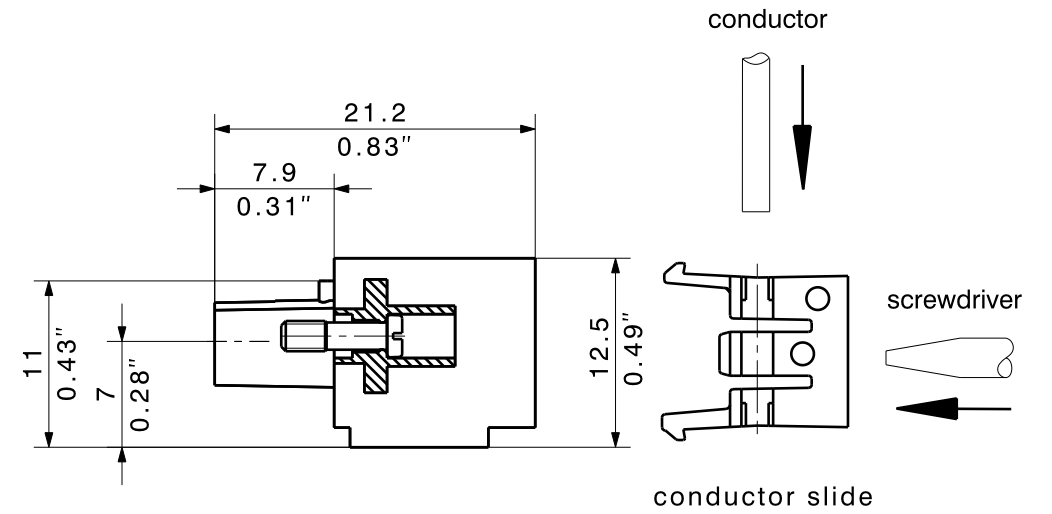
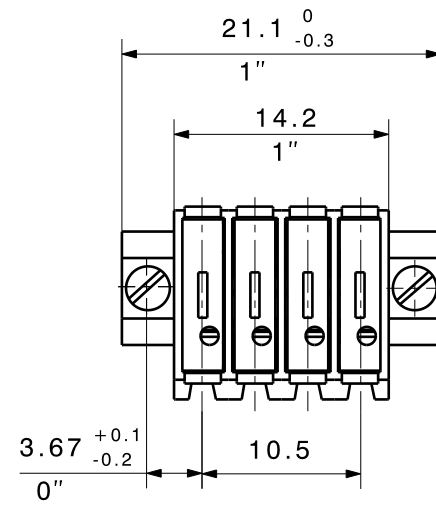
Incorrect assembly on the circuit board and incorrect plugging of connecting elements is no longer possible. The advantage: no troubleshooting during manufacture and no operational errors by the user.

## General ordering data

Type	BL SL 3.5 KO SW	Version	Product data	Packaging
Order No.	<a href="#">1610100000</a>	PCB plug-in connector, Accessories, Coding element, black, Number		Box
GTIN (EAN)	4008190187637	of poles: 1		
Qty.	100 pc(s).			
Type	BL SL 3.5 KO OR	Version	Product data	Packaging
Order No.	<a href="#">1693430000</a>	PCB plug-in connector, Accessories, Coding element, orange, Number		Box
GTIN (EAN)	4008190867447	of poles: 1		
Qty.	100 pc(s).			

### Technical Data

Rev.		Material data	
		Insulation material type	PBT
		Insulation material colours	orange
		Insulation material flammability class	UL94 V-0
		Insulation resistance	MOhm >10 <sup>5</sup>
		Contact base material	Cu-alloy
		Contact plating	tin plated
System characteristic values		with counterpart	
Pitch P	mm/inch	3.5/0.138	
Number of rows		1	
Dielectric strength (r.m.s withstand voltage)	kV	>1.39	
Mechanical operating cycles	acc. to IEC 512	>50	
Plug in force (max.)	N/pole	10	1)
Pull out force (max.)	N/pole	10	1)
Through resistance (typical)	mOhm	<5,0	
Operating temperature range	°C	-20... +80	2)
Degree of protection acc. to VDE 0106 (plugged/unplugged)		finger safe/back of hands	
Degree of protection acc. to DIN EN 60529 (plugged/unplugged)		IP20/IP10	
Conductor connection method		IDC connection	
Screw size		n.a.	
Screw torque max. acc. to EN 60999	Nm	n.a.	
Screw driver type		0.4 x 2.5	
Application notes			
Coding possibility	yes/no	yes (accessory)	
Joinable without loss of pitch	yes/no	yes	
Manual assembly of modules	yes/no	no	
Max. number of poles	n	12	
Conductor			
Clamping range	mm <sup>2</sup>	0.35 ... 0.5	
"e" solid H05(07) V-U	mm <sup>2</sup>	0.5	
"f" flexible H05(07) V-K	mm <sup>2</sup>	0.5	
"f" with ferrule acc. to DIN 46228/1	mm <sup>2</sup>	n.a.	
... with plastic collar acc. to DIN 46228/4	mm <sup>2</sup>	n.a.	
Conductor insulation stripping length	mm/inch	n.a.	
Conductor insulation diameter max.	mm/inch	2.1	
Two wire clamping range	mm <sup>2</sup>	n.a.	
Gauge to EN 60999 (a x b ; Ø)	mm	n.a.	
IEC 664-1 / VDE0110 (4.97) rated data			
Rated cross section acc. to EN 60999	mm <sup>2</sup>	0.5	
Rated current @ 20°C ambient (together with)	A	6 (SL 3.5)	3)
Rated current @ 40°C ambient (together with)	A	6 (SL 3.5)	3)
Overvoltage category / Pollution degree			
Rated voltage	V	III/3 III/2 II/2	
Rated impulse voltage	kV	160 250 320	
		2.5 2.5 2.5	
UL 1059 rated data			
		<b>UL</b> File No.: E60693	
Rated voltage	V	B C D	
Rated current	A	300	
AWG wire range (field wiring / factory wiring)		7	
		22 ... 20	
CSA C22.2 rated data			
		<b>CSA</b> File No.: LR12400	
Rated voltage	V	B C D	
Rated current	A	300	
AWG wire range (field wiring / factory wiring)		7	
		22 ... 20	
Packaging			
		card box	
Downloads			
		www.weidmueller.de	



16	52,50	2,067
15	49,00	1,929
14	45,50	1,791
13	42,00	1,654
12	38,50	1,516
11	35,00	1,378
10	31,50	1,240
9	28,00	1,102
8	24,50	0,965
7	21,00	0,827
6	17,50	0,689
5	14,00	0,551
4	10,50	0,413
3	7,00	0,276
2	3,50	0,138
n	L1 [mm]	L1 [inch]

shown: BLIDCB 3.5/4F

For the mounting of PCBs, it should be noted that the rated data stated here relates only to the PCB components alone. The necessary creepage and clearance paths must be observed in connection with the respective applicant in accordance to IEC 664 / VDE 0110. The current-carrying capacity and pitch tolerance is to be determined according to DIN IEC 326 part 3 very fine.

Weidmüller PCB components are tested to the DIN EN 61984 standard, and are valid for its field of application. Provided that the components are used to the intended purpose, all requirements with respect to the occurring of electrical, mechanical, thermic and corrosive stress will be satisfied.

METRIC TOLERANCES:		③ : .		② : .		① : .		C 27649	
X.	= ±0.3								ISSUE NO.
X.X	= ±0.1								
X.XX	= ±0.05								
MODIFICATION		DATE		NAME		SHEET: 2 OF 2 SHEETS			
METRIC/INCH DIMENSIONS	DRAWN	17.12.02	Lux	<div style="text-align: center;"> <h2 style="margin: 0;">BLIDCB 3.5/2...12/F</h2> <p style="margin: 0;">Socket Block</p> </div>					
SCALE: 2:1	RESPONSIBLE	17.12.02	Lux						
SUPERSEDES: .	CHECKED	25.09.03	Phillips						
SUPERSEDED BY: .	APPROVED	26.09.03	Endres	PRODUCT FILE: BLIDCB 3.5 Customer Drawing					



# Mouser Electronics

Authorized Distributor

Click to View Pricing, Inventory, Delivery & Lifecycle Information:

[Weidmuller:](#)

[1751450000](#)