

**SAI-8-MHD-5P M12****Weidmüller Interface GmbH & Co. KG**

Klingenbergstraße 26

D-32758 Detmold

Germany

www.weidmueller.com



Cable gland: M25 for cables with an outer insulation diameter from 13 mm to 18 mm. The SAI distributor with M25 cable gland is suitable among others for the following cable types:

- 21 x 0.50 mm
- 18 x 0.75 mm bis 21 x 0.75 mm
- 14 x 100 mm bis 20 x 100 mm
- 8 x 1.50 mm bis 16 x 1.50 mm

**General ordering data**

|            |  |
|------------|--|
| Version    | SAI Passive, Sensor-actuator passive distributor, M12, Hood version with M25 outlet, Yes |
| Order No.  | <a href="#">1701253000</a>   |
| Type       | SAI-8-MHD-5P M12   |
| GTIN (EAN) | 4032248184521  |
| Qty.       | 1 pc(s).   |

Creation date January 27, 2022 6:55:36 AM CET

Catalogue status 14.01.2022 / We reserve the right to make technical changes.

## SAI-8-MHD-5P M12

Weidmüller Interface GmbH &amp; Co. KG

Klingenbergstraße 26

D-32758 Detmold

Germany

www.weidmueller.com

## Technical data

## Dimensions and weights

|            |        |                 |            |
|------------|--------|-----------------|------------|
| Depth      | 152 mm | Depth (inches)  | 5.984 inch |
| Height     | 55 mm  | Height (inches) | 2.165 inch |
| Width      | 60 mm  | Width (inches)  | 2.362 inch |
| Net weight | 574 g  |                 |            |

## Temperatures

|                       |            |
|-----------------------|------------|
| Operating temperature | -20 - 90°C |
|-----------------------|------------|

## Environmental Product Compliance

|            |                |
|------------|----------------|
| REACH SVHC | Lead 7439-92-1 |
|------------|----------------|

## Connection data

|                      |                              |                      |                      |
|----------------------|------------------------------|----------------------|----------------------|
| Conductor O.D., min. | 14 mm                        | Conductor O.D., max. | 18 mm                |
| Cable glands         | M 25                         | Clamping range, min. | 0.08 mm <sup>2</sup> |
| Clamping range, max. | 1.5 mm <sup>2</sup>          | Storage space        | gross                |
| Distributor outlet   | Hood version with M25 outlet | Connection type PE   | Screw connection     |

## Electrical data

|                                |      |   |                   |
|--------------------------------|------|---|-------------------|
| Rated voltage, min.            | 10 V | Rated voltage, max.                     | 30 V              |
| Test voltage                   | 1 kV | Max. current-carrying capacity per slot | 4 A               |
| Total current                  | 10 A | Current per signal                      | 2 A               |
| Electrical isolation available | Yes  | Insulation strength                     | 10 <sup>9</sup> Ω |

## General technical data

|                             |        |                                     |       |
|-----------------------------|--------|-------------------------------------|-------|
| Plug-in station coding      | A      | Number of poles                     | 5     |
| Number of contact sockets   | 8      | Connection thread                   | M12   |
| Pollution severity          | 3      | Fire behaviour                      | V-0   |
| Plugging cycles             | ≤ 50   | LED                                 | Yes   |
| LED initiator               | Yes    | LED colour for indicating operation | green |
| LED colour for I/O function | yellow |                                     |       |

## Material data

|                       |  |                          |                     |
|-----------------------|--|--------------------------|---------------------|
| Housing main material | Pocan (base module), Zinc diecast (hood) | Material of distributor  | metal               |
| Housing colour        | silver                                   | Hood sealing material    | Polyurethane foamed |
| Screw socket          | Nickel-plated CuZn                       | Contact material         | CuZn                |
| Contact surface       | Gold-plated                              | Contact carrier material | PBT (UL 94 V0)      |

## Technical data cable

|                      |       |                             |       |
|----------------------|-------|-----------------------------|-------|
| Conductor O.D., max. | 18 mm | Conductor O.D., min.        | 14 mm |
| Number of poles      | 5     | Suitable for cable carriers | No    |

## SAI-8-MHD-5P M12

**Weidmüller Interface GmbH & Co. KG**  
Klingenbergstraße 26  
D-32758 Detmold  
Germany

[www.weidmueller.com](http://www.weidmueller.com)

## Technical data

### Classifications

|             |             |             |             |
|-------------|-------------|-------------|-------------|
| ETIM 6.0    | EC002585    | ETIM 7.0    | EC003558    |
| ETIM 8.0    | EC003558    | ECLASS 9.0  | 27-44-01-08 |
| ECLASS 9.1  | 27-44-01-08 | ECLASS 10.0 | 27-44-01-11 |
| ECLASS 11.0 | 27-44-01-11 |             |             |

### Approvals

Approvals



ROHS

Conform

### Downloads

|                  |  |
|------------------|--|
| Engineering Data | <a href="#">CAD data – STEP</a>  |
| Engineering Data | <a href="#">WSCAD</a>  |
| Catalogues       | <a href="#">Catalogues in PDF-format</a>                               |
| Brochures        | <a href="#">FL FIELDWIRING EN</a><br><a href="#">FL FIELDWIRING EN</a> |

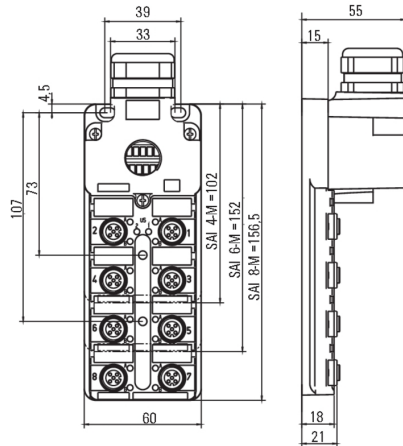
**SAI-8-MHD-5P M12**

**Weidmüller Interface GmbH & Co. KG**  
 Klingenbergstraße 26  
 D-32758 Detmold  
 Germany

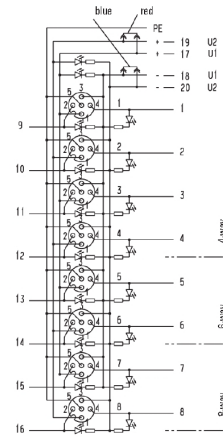
www.weidmueller.com

**Drawings**

**Dimensioned drawing**



**Wiring diagram**



**SAI-8-MHD-5P M12**

**Weidmüller Interface GmbH & Co. KG**  
 Klingenbergstraße 26  
 D-32758 Detmold  
 Germany

www.weidmueller.com

**Accessories**

**M12**



Protective caps protect unassigned plug-in stations against external influences.

**General ordering data**

|            |                            |  |
|------------|----------------------------|--|
| Type       | SAI-SK-M12                 | Version  |
| Order No.  | <a href="#">9456050000</a> | Protected component assemblies, Protective cap |
| GTIN (EAN) | 4008190304058              |  |
| Qty.       | 30 pc(s).                  |  |

**Blank**



ESG is the tried-and-tested marker in MultiCard format for use on many well-known electrical devices. The result is high-quality device marking with a high-contrast appearance.

Various types are available for devices from manufacturers like Siemens, ABB, Beckhoff etc. Advantages at a glance:

- Tags for universal usage, self-adhesive or clip-on tags, depending on type
- For aligned equipment, e.g. circuit breakers, we supply ESG markers for clipping onto tag rails
- Individual laser-quality printing according to specifications

**For custom printing:** Please send us a file of our labeling software M-Print PRO or M-Print PRO Online (without installation) for your labeling specifications.

**General ordering data**

|            |                            |   |
|------------|----------------------------|---|
| Type       | ESG 8/20 K MC NE WS        | Version   |
| Order No.  | <a href="#">2558360000</a> | ESG, Device markers x 20 mm, PA 66, Colour: white |
| GTIN (EAN) | 4050118569070              |   |
| Qty.       | 200 pc(s).                 |   |

**SAI-8-MHD-5P M12**

**Weidmüller Interface GmbH & Co. KG**  
 Klingenbergstraße 26  
 D-32758 Detmold  
 Germany

www.weidmueller.com

**Accessories**

**Screwty® cable gland tool with torque function**



**The ideal tool for any application**

Screwty® is the ideal, all-purpose tool for tightening all common sensor and actuator cables. Even difficult-to-reach round plugs are accessible using the Screwty®. A simple turning movement tightens and loosens the connectors without the need for excessive force. The Screwty® is a unique and global solution since it fits with most cables and plugs from other vendors (over 90 %). The Screwty® consists of a handle with a conventional 1/4" adapter. Thus it can be used for all sizes: for M12 and M8 round plug-in connectors, and for M12F and M8F customisable plugs and sockets, as well as for all M23 plugs and sockets.

**General ordering data**

|            |                            |              |  |
|------------|----------------------------|--------------|--|
| Type       | SCREWTY SET -DM            | Version      |  |
| Order No.  | <a href="#">1920000000</a> | Bolting tool |  |
| GTIN (EAN) | 4032248436859              |              |  |
| Qty.       | 1 pc(s).                   |              |  |

# Mouser Electronics

Authorized Distributor

Click to View Pricing, Inventory, Delivery & Lifecycle Information:

[Weidmuller:](#)

[1701253000](#)