

## BL 3.50/10/180LH SN BK BX

**Weidmüller Interface GmbH & Co. KG**

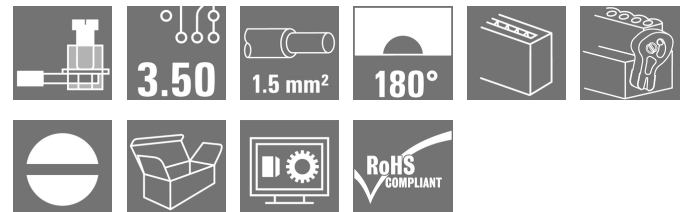
Klingenbergstraße 26

D-32758 Detmold

Germany

www.weidmueller.com

### Product image



Female connectors with clamping yoke screw system for connecting conductors at 3.50 mm pitch. They provide space for labelling and can be coded.

### General ordering data

|              |  |
|--------------|--|
| Version      | PCB plug-in connector, female plug, 3.50 mm, Number of poles: 10, 180°, Clamping yoke connection, Clamping range, max.: 1.5 mm², Box |
| Order No.    | <a href="#">1687960000</a>   |
| Type         | BL 3.50/10/180LH SN BK BX  |
| GTIN (EAN)   | 4008190853518  |
| Qty.         | 42 pc(s).  |
| Product data | IEC: 320 V / 17 A / 0.2 - 1.5 mm²<br>UL: 300 V / 10 A / AWG 28 - AWG 14  |
| Packaging    | Box  |

Creation date January 27, 2022 5:09:28 AM CET

**BL 3.50/10/180LH SN BK BX**
**Weidmüller Interface GmbH & Co. KG**

Klingenbergstraße 26

D-32758 Detmold

Germany

www.weidmueller.com

**Technical data**
**Dimensions and weights**

|            |         |                 |            |
|------------|---------|-----------------|------------|
| Depth      | 29.5 mm | Depth (inches)  | 1.161 inch |
| Height     | 14.9 mm | Height (inches) | 0.587 inch |
| Width      | 41.5 mm | Width (inches)  | 1.634 inch |
| Net weight | 10.08 g |                 |            |

**System Parameters**

|  |                                     |                   |                             |
|--|-------------------------------------|-------------------|-----------------------------|
| Product family                               | OMNIMATE Signal - series BL/SL 3.50 |                   |                             |
| Type of connection                           | Field connection                    |                   |                             |
| Wire connection method                       | Clamping yoke connection            |                   |                             |
| Pitch in mm (P)                              | 3.5 mm                              |                   |                             |
| Pitch in inches (P)                          | 0.138 inch                          |                   |                             |
| Conductor outlet direction                   | 180°                                |                   |                             |
| Number of poles                              | 10                                  |                   |                             |
| L1 in mm                                     | 31.5 mm                             |                   |                             |
| L1 in inches                                 | 1.24 inch                           |                   |                             |
| Number of rows                               | 1                                   |                   |                             |
| Pin series quantity                          | 1                                   |                   |                             |
| Rated cross-section                          | 1.5 mm <sup>2</sup>                 |                   |                             |
| Touch-safe protection acc. to DIN VDE 57 106 | Safe from finger touch              |                   |                             |
| Touch-safe protection acc. to DIN VDE 0470   | IP 20                               |                   |                             |
| Volume resistance                            | ≤5 mΩ                               |                   |                             |
| Can be coded                                 | Yes                                 |                   |                             |
| Stripping length                             | 6 mm                                |                   |                             |
| Clamping screw                               | M 2                                 |                   |                             |
| Screwdriver blade                            | 0.4 x 2.5                           |                   |                             |
| Screwdriver blade standard                   | DIN 5264                            |                   |                             |
| Plugging cycles                              | 25                                  |                   |                             |
| Plugging force/pole, max.                    | 7 N                                 |                   |                             |
| Pulling force/pole, max.                     | 5 N                                 |                   |                             |
| Tightening torque                            | Torque type                         | Wire connection   |                             |
|  | Usage information                   | Tightening torque | min. 0.2 Nm<br>max. 0.25 Nm |

**Material data**

|                                       |                            |                                       |        |
|---------------------------------------|----------------------------|---------------------------------------|--------|
| Insulating material                   | PBT                        | Colour                                | black  |
| Colour chart (similar)                | RAL 9011                   | Insulating material group             | IIIa   |
| Comparative Tracking Index (CTI)      | ≥ 200                      | UL 94 flammability rating             | V-0    |
| Contact material                      | Copper alloy               | Contact surface                       | tinned |
| Layer structure of plug contact       | 4...8 μm Sn hot-dip tinned | Storage temperature, min.             | -40 °C |
| Storage temperature, max.             | 70 °C                      | Operating temperature, min.           | -50 °C |
| Operating temperature, max.           | 100 °C                     | Temperature range, installation, min. | -30 °C |
| Temperature range, installation, max. | 100 °C                     |                                       |        |

**Conductors suitable for connection**

|   |                      |
|---|----------------------|
| Clamping range, min.                    | 0.08 mm <sup>2</sup> |
| Clamping range, max.                    | 1.5 mm <sup>2</sup>  |
| Wire connection cross section AWG, min. | AWG 28               |
| Wire connection cross section AWG, max. | AWG 14               |

Creation date January 27, 2022 5:09:28 AM CET

## BL 3.50/10/180LH SN BK BX

**Weidmüller Interface GmbH & Co. KG**  
 Klingenbergstraße 26  
 D-32758 Detmold  
 Germany

www.weidmueller.com

## Technical data

|   |                     |
|---|---------------------|
| Solid, min. H05(07) V-U                         | 0.2 mm <sup>2</sup> |
| Solid, max. H05(07) V-U                         | 1.5 mm <sup>2</sup> |
| Flexible, min. H05(07) V-K                      | 0.2 mm <sup>2</sup> |
| Flexible, max. H05(07) V-K                      | 1.5 mm <sup>2</sup> |
| w. plastic collar ferrule, DIN 46228 pt 4, min. | 0.2 mm <sup>2</sup> |
| w. plastic collar ferrule, DIN 46228 pt 4, max. | 1.5 mm <sup>2</sup> |
| w. wire end ferrule, DIN 46228 pt 1, min.       | 0.2 mm <sup>2</sup> |
| w. wire end ferrule, DIN 46228 pt 1, max.       | 1.5 mm <sup>2</sup> |
| Plug gauge in accordance with EN 60999 a x b; ø | 2.4 mm x 1.5 mm     |

| Clampable conductor                    | Cross-section for conductor connection | Type                         | fine-wired                   |
|--|--|------------------------------|------------------------------|
|  |  | nominal                      | 0.5 mm <sup>2</sup>          |
| wire end ferrule                       | wire end ferrule                       | Stripping length             | nominal 8 mm                 |
|  |  | Recommended wire-end ferrule | <a href="#">H0.5/12 OR</a>   |
|  |  | Stripping length             | nominal 6 mm                 |
|  |  | Recommended wire-end ferrule | <a href="#">H0.5/6</a>       |
| Cross-section for conductor connection | wire end ferrule                       | Type                         | fine-wired                   |
|  |  | nominal                      | 0.75 mm <sup>2</sup>         |
|  |  | Stripping length             | nominal 8 mm                 |
|  |  | Recommended wire-end ferrule | <a href="#">H0.75/12 W</a>   |
| Cross-section for conductor connection | wire end ferrule                       | Stripping length             | nominal 6 mm                 |
|  |  | Recommended wire-end ferrule | <a href="#">H0.75/6</a>      |
|  |  | Type                         | fine-wired                   |
|  |  | nominal                      | 1 mm <sup>2</sup>            |
| Cross-section for conductor connection | wire end ferrule                       | Stripping length             | nominal 8 mm                 |
|  |  | Recommended wire-end ferrule | <a href="#">H1.0/12 GE</a>   |
|  |  | Stripping length             | nominal 6 mm                 |
|  |  | Recommended wire-end ferrule | <a href="#">H1.0/6</a>       |
| Cross-section for conductor connection | wire end ferrule                       | Type                         | fine-wired                   |
|  |  | nominal                      | 0.25 mm <sup>2</sup>         |
|  |  | Stripping length             | nominal 8 mm                 |
|  |  | Recommended wire-end ferrule | <a href="#">H0.25/10 HBL</a> |
| Cross-section for conductor connection | wire end ferrule                       | Stripping length             | nominal 5 mm                 |
|  |  | Recommended wire-end ferrule | <a href="#">H0.25/5</a>      |
|  |  | Type                         | fine-wired                   |
|  |  | nominal                      | 0.34 mm <sup>2</sup>         |
| Cross-section for conductor connection | wire end ferrule                       | Stripping length             | nominal 8 mm                 |
|  |  | Recommended wire-end ferrule | <a href="#">H0.34/10 TK</a>  |

Reference text The outside diameter of the plastic collar should not be larger than the pitch (P). Length of ferrules is to be chosen depending on the product and the rated voltage.

**BL 3.50/10/180LH SN BK BX****Weidmüller Interface GmbH & Co. KG**

Klingenbergstraße 26

D-32758 Detmold

Germany

www.weidmueller.com


**Technical data****Rated data acc. to IEC**

|   |                        |   |                   |
|---|------------------------|---|-------------------|
| tested acc. to standard   | IEC 60664-1, IEC 61984 | Rated current, min. number of poles (Tu=20°C)                         | 17 A              |
| Rated current, max. number of poles (Tu=20°C)                             | 12 A                   | Rated current, min. number of poles (Tu=40°C)                         | 14.5 A            |
| Rated current, max. number of poles (Tu=40°C)                             | 10 A                   | Rated voltage for surge voltage class / pollution degree II/2         | 320 V             |
| Rated voltage for surge voltage class / pollution degree III/2            | 160 V                  | Rated voltage for surge voltage class / pollution degree III/3        | 160 V             |
| Rated impulse voltage for surge voltage class/ pollution degree II/2      | 320 V                  | Rated impulse voltage for surge voltage class/ pollution degree III/2 | 160 V             |
| Rated impulse voltage for surge voltage class/ contamination degree III/3 | 160 V                  | Short-time withstand current resistance                               | 3 x 1s with 100 A |

**Rated data acc. to CSA**

|                                   |        |                                   |        |
|-----------------------------------|--------|-----------------------------------|--------|
| Rated voltage (Use group B / CSA) | 300 V  | Rated voltage (Use group D / CSA) | 300 V  |
| Rated current (Use group B / CSA) | 10 A   | Rated current (Use group D / CSA) | 10 A   |
| Wire cross-section, AWG, min.     | AWG 28 | Wire cross-section, AWG, max.     | AWG 14 |

**Rated data acc. to UL 1059**

|                                       |   |                                       |        |
|---------------------------------------|---|---------------------------------------|--------|
| Institute (UR)                        |  | Certificate No. (UR)                  | E60693 |
| Rated voltage (Use group B / UL 1059) | 300 V   | Rated voltage (Use group D / UL 1059) | 300 V  |
| Rated current (Use group B / UL 1059) | 10 A  | Rated current (Use group D / UL 1059) | 10 A   |
| Wire cross-section, AWG, min.         | AWG 28  | Wire cross-section, AWG, max.         | AWG 14 |
| Reference to approval values          | Specifications are maximum values, details - see approval certificate.              |                                       |        |

**Packing**

|           |        |            |        |
|-----------|--------|------------|--------|
| Packaging | Box    | VPE length | 338 mm |
| VPE width | 130 mm | VPE height | 20 mm  |

**Type tests**

|  |            |  |
|--|------------|--|
| Test: Durability of markings                 | Standard   | DIN EN 61984 section 7.3.2 / 09.02 taking pattern from DIN EN 60068-2-70 / 07.96   |
|  | Test       | mark of origin, type identification, approval marking SEV, approval marking CSA    |
|  | Evaluation | available  |
|  | Test       | durability   |
| Test: Misengagement (Non-interchangeability) | Evaluation | passed   |
|  | Standard   | DIN EN 61984 section 6.3 and 6.9.1 / 09.02, DIN IEC 60512 part 7 section 5 / 05.94 |
|  | Test       | 180° turned with coding elements   |
|  | Evaluation | passed   |

**BL 3.50/10/180LH SN BK BX**

**Weidmüller Interface GmbH & Co. KG**  
 Klingenbergstraße 26  
 D-32758 Detmold  
 Germany

www.weidmueller.com

**Technical data**

|   |   |  |                                     |
|---|---|--|-------------------------------------|
| Test: Clampable cross section                             | Standard                                      | DIN EN 60999-1 section 7 and 9.1 / 12.00, DIN EN 60947-1 section 8.2.4.5.1 / 12.99 |                                     |
|   | Conductor type                                | Type of conductor and conductor cross-section                                      | solid 0.2 mm <sup>2</sup>           |
|   |   | Type of conductor and conductor cross-section                                      | stranded 0.2 mm <sup>2</sup>        |
|   |   | Type of conductor and conductor cross-section                                      | solid 1.5 mm <sup>2</sup>           |
|   |   | Type of conductor and conductor cross-section                                      | stranded 1.5 mm <sup>2</sup>        |
|   |   | Type of conductor and conductor cross-section                                      | AWG 28/1                            |
|   |   | Type of conductor and conductor cross-section                                      | AWG 28/19                           |
|   |   | Type of conductor and conductor cross-section                                      | AWG 16/1                            |
|   |   | Type of conductor and conductor cross-section                                      | AWG 16/19                           |
| Evaluation  | passed  |  |                                     |
| Test for damage to and accidental loosening of conductors | Standard                                      | DIN EN 60999-1 section 9.4 / 12.00   |                                     |
|   | Requirement                                   | 0.2 kg   |                                     |
|   | Conductor type                                | Type of conductor and conductor cross-section                                      | AWG 28/1                            |
|   |   | Type of conductor and conductor cross-section                                      | AWG 28/19                           |
|   | Evaluation                                    | passed   |                                     |
|   | Requirement                                   | 0.3 kg   |                                     |
|   | Conductor type                                | Type of conductor and conductor cross-section                                      | 2 × AWG 24/1                        |
|   |   | Type of conductor and conductor cross-section                                      | 2 × AWG 24/19 with wire end ferrule |
|   | Evaluation                                    | passed   |                                     |
|   | Requirement                                   | 0.4 kg   |                                     |
| Conductor type  | Type of conductor and conductor cross-section | solid 1.5 mm <sup>2</sup>  |                                     |
|   | Type of conductor and conductor cross-section | stranded 1.5 mm <sup>2</sup>   |                                     |
|   | Type of conductor and conductor cross-section | AWG 16/7   |                                     |
| Evaluation  | passed  |  |                                     |

## BL 3.50/10/180LH SN BK BX

Weidmüller Interface GmbH &amp; Co. KG

Klingenbergstraße 26

D-32758 Detmold

Germany

www.weidmueller.com

## Technical data

|   |                |   |                                     |  |
|---|----------------|---|-------------------------------------|--|
| Pull-out test                                 | Standard       | DIN EN 60999-1 section 9.5 / 12.00            |                                     |  |
|   | Requirement    | ≥5 N  |                                     |  |
|   | Conductor type | Type of conductor and conductor cross-section | AWG 28/1                            |  |
|   |                | Type of conductor and conductor cross-section | AWG 28/19                           |  |
|   | Evaluation     | passed  |                                     |  |
|   | Requirement    | ≥10 N   |                                     |  |
|   | Conductor type | Type of conductor and conductor cross-section | 2 × AWG 24/1                        |  |
|   |                | Type of conductor and conductor cross-section | 2 × AWG 24/19 with wire end ferrule |  |
|   | Evaluation     | passed  |                                     |  |
|   | Requirement    | ≥40 N   |                                     |  |
|   | Conductor type | Type of conductor and conductor cross-section | H05V-U1.5                           |  |
|   |                | Type of conductor and conductor cross-section | H05V-K1.5                           |  |
| Type of conductor and conductor cross-section |                | AWG 16/7                                      |                                     |  |
| Evaluation                                    | passed         |   |                                     |  |

## Classifications

|             |             |             |             |
|-------------|-------------|-------------|-------------|
| ETIM 6.0    | EC002638    | ETIM 7.0    | EC002638    |
| ETIM 8.0    | EC002638    | ECLASS 9.0  | 27-44-03-09 |
| ECLASS 9.1  | 27-44-03-09 | ECLASS 10.0 | 27-44-03-09 |
| ECLASS 11.0 | 27-46-02-02 |             |             |

## Important note

|                |   |
|----------------|---|
| IPC conformity | Conformity: The products are developed, manufactured and delivered according international recognized standards and norms and comply with the assured properties in the data sheet resp. fulfill decorative properties in accordance with IPC-A-610 "Class 2". Further claims on the products can be evaluated on request.  |
| Notes          | <ul style="list-style-type: none"> <li>• Additional colours on request</li> <li>• Gold-plated contact surfaces on request</li> <li>• Rated current related to rated cross-section &amp; min. No. of poles.</li> <li>• Max. outer diameter of the conductor: 2.9 mm</li> <li>• Wire end ferrule without plastic collar to DIN 46228/1</li> <li>• Wire end ferrule with plastic collar to DIN 46228/4</li> <li>• P on drawing = pitch</li> <li>• Rated data refer only to the component itself. Clearance and creepage distances to other components are to be designed in accordance with the relevant application standards.</li> </ul> |

## BL 3.50/10/180LH SN BK BX

**Weidmüller Interface GmbH & Co. KG**  
Klingenbergstraße 26  
D-32758 Detmold  
Germany

www.weidmueller.com

## Technical data

### Approvals

Approvals



|                       |         |
|-----------------------|---------|
| ROHS                  | Conform |
| UL File Number Search | E60693  |

### Downloads

|   |   |
|---|---|
| Approval/Certificate/Document of Conformity | <a href="#">Declaration of the Manufacturer</a>   |
| Engineering Data                            | <a href="#">CAD data – STEP</a>   |
| Engineering Data                            | <a href="#">EPLAN, WSCAD</a>  |
| Product Change Notification                 | <a href="#">Change of Material LR 3.50 - DE</a><br><a href="#">Change of Material LR 3.50 - EN</a>  |
| Catalogues                                  | <a href="#">Catalogues in PDF-format</a>  |
| Brochures                                   | <a href="#">FL DRIVES EN</a><br><a href="#">MB DEVICE MANUF. EN</a><br><a href="#">FL DRIVES DE</a><br><a href="#">FL BUILDING SAFETY EN</a><br><a href="#">FL APPL LED LIGHTING EN</a><br><a href="#">FLIndustr.CONTROLS EN</a><br><a href="#">FL MACHINE SAFETY EN</a><br><a href="#">FL HEATING ELECTR EN</a><br><a href="#">FL APPL INVERTER EN</a><br><a href="#">FL_BASE_STATION EN</a><br><a href="#">FL ELEVATOR EN</a><br><a href="#">FL POWER SUPPLY EN</a><br><a href="#">FL 72H SAMPLE SER EN</a><br><a href="#">PO OMNIMATE EN</a><br><a href="#">PO OMNIMATE EN</a> |

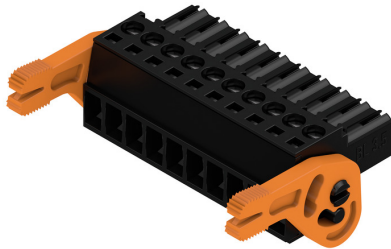
**BL 3.50/10/180LH SN BK BX**

**Weidmüller Interface GmbH & Co. KG**  
 Klingenbergstraße 26  
 D-32758 Detmold  
 Germany

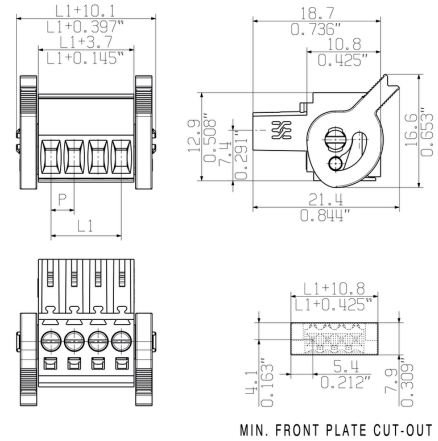
www.weidmueller.com

**Drawings**

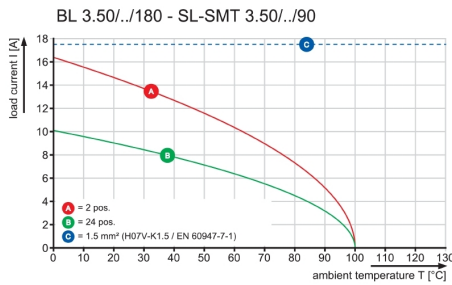
**Product image**



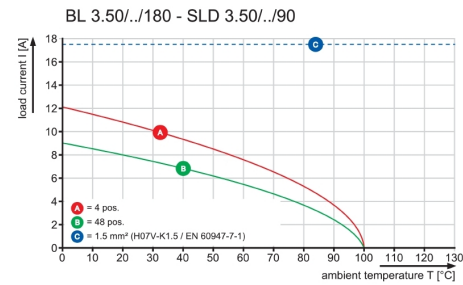
**Dimensional drawing**



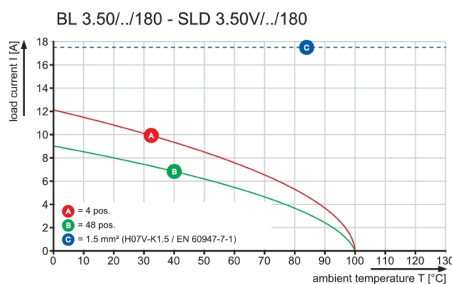
**Graph**



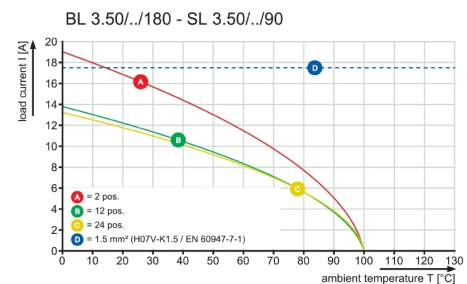
**Graph**



**Graph**



**Graph**





## BL 3.50/10/180LH SN BK BX

**Weidmüller Interface GmbH & Co. KG**  
 Klingenbergstraße 26  
 D-32758 Detmold  
 Germany

www.weidmueller.com

# Accessories

## Coding elements



**Only connects what is supposed to be connected: the right connection at the right place.**

Coding elements and locking devices clearly assign connecting elements during the manufacturing process and operation

The coding elements and locking devices are inserted prior to assembly or during the cable assembly phase. The Weidmüller alternative: configure online using the variant configurator to precode prior to delivery.

Incorrect assembly on the circuit board and incorrect plugging of connecting elements is no longer possible. The advantage: no troubleshooting during manufacture and no operational errors by the user.

## General ordering data

| Type       | BL SL 3.5 KO SW            | Version  | Product data | Packaging |
|------------|----------------------------|--|--------------|-----------|
| Order No.  | <a href="#">1610100000</a> | PCB plug-in connector, Accessories, Coding element, black, Number  |              | Box       |
| GTIN (EAN) | 4008190187637              | of poles: 1  |              |           |
| Qty.       | 100 pc(s).                 |  |              |           |
| Type       | BL SL 3.5 KO OR            | Version  | Product data | Packaging |
| Order No.  | <a href="#">1693430000</a> | PCB plug-in connector, Accessories, Coding element, orange, Number |              | Box       |
| GTIN (EAN) | 4008190867447              | of poles: 1  |              |           |
| Qty.       | 100 pc(s).                 |  |              |           |

## BL 3.50/10/180LH SN BK BX

**Weidmüller Interface GmbH & Co. KG**  
Klingenbergstraße 26  
D-32758 Detmold  
Germany

www.weidmueller.com

## Accessories

### Cover hoods



#### Effective protection, optimised ergonomics and closed design:

From the strain relief on the connected conductors and the visual/contact protection and the disconnection aid: the optional retrofit hoods perform mechanical, visual and haptic functions.

The two half shells clip together securely, enclose the plug completely and offer the following functions:

- Cable ties or integrated cable clips provide strain relief.
- Marked with dekafix labels or adhesive strips
- Mounting side by side without losing poles or displacing the pitch
- Compatible: suitable for plugs with or without a flange or mounting bracket
- Flexible: 1-3 cable outlets leading in different directions available depending on the size

Weidmüller hoods offer added stability, better identification, complete compatibility and versatility. The result: maximum reliability and user-friendliness in any application.

### General ordering data

| Type       | BL 3.50 AH10 BK BX         | Version  | Product data | Packaging |
|------------|----------------------------|--|--------------|-----------|
| Order No.  | <a href="#">1745650000</a> | PCB plug-in connector, Accessories, Hood, black, Number of poles: 10 |              | Box       |
| GTIN (EAN) | 4008190985219              |  |              |           |
| Qty.       | 10 pc(s).                  |  |              |           |

### Strain reliefs



#### For frequent load changes: the "trailer coupling" for plug-in connectors.

The strain relief can do more than just relieve the strain on conductors:

Simply clip onto the plug and

- bundle conductors
- guide cables
- use as a connection and disconnection aid

No damage to the connecting points, clear, tidy wiring and easy to handle.

User advantages: permanent heavy-duty connections for harsh industrial environments and convenient operation ensure improved system availability.

### General ordering data

| Type       | BL 3.50 ZE08 OR BX         | Version   | Product data | Packaging |
|------------|----------------------------|---|--------------|-----------|
| Order No.  | <a href="#">1629690000</a> | PCB plug-in connector, Accessories, Strain relief, orange, Number of poles: 8 |              | Box       |
| GTIN (EAN) | 4008190202583              |   |              |           |
| Qty.       | 50 pc(s).                  |   |              |           |

## BL 3.50/10/180LH SN BK BX

**Weidmüller Interface GmbH & Co. KG**  
 Klingenbergstraße 26  
 D-32758 Detmold  
 Germany

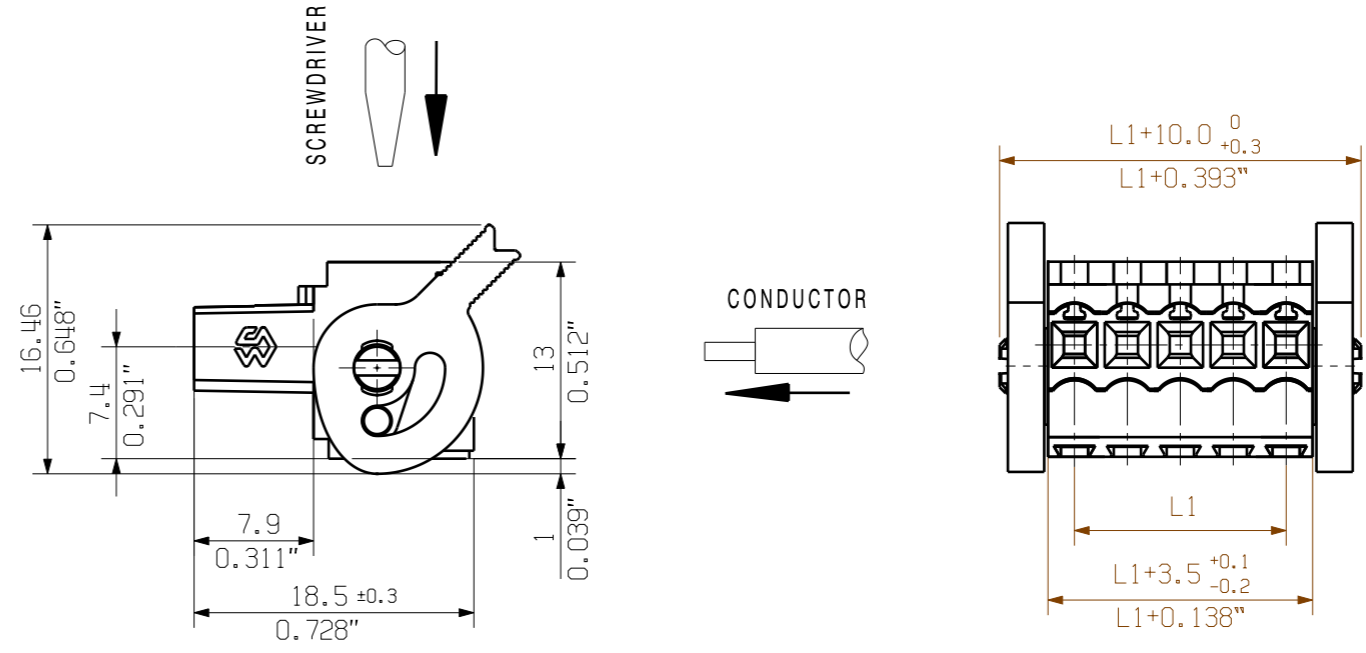
www.weidmueller.com

## Accessories

| Type       | BL 3.50 ZE08 BK BX         | Version  | Product data | Packaging |
|------------|----------------------------|--|--------------|-----------|
| Order No.  | <a href="#">1627830000</a> | PCB plug-in connector, Accessories, Strain relief, black, Number of  |              | Box       |
| GTIN (EAN) | 4008190202576              | poles: 8   |              |           |
| Qty.       | 50 pc(s).                  |  |              |           |
| Type       | BL 3.50 ZE03 OR BX         | Version  | Product data | Packaging |
| Order No.  | <a href="#">1629680000</a> | PCB plug-in connector, Accessories, Strain relief, orange, Number of |              | Box       |
| GTIN (EAN) | 4008190202569              | poles: 3   |              |           |
| Qty.       | 50 pc(s).                  |  |              |           |
| Type       | BL 3.50 ZE03 BK BX         | Version  | Product data | Packaging |
| Order No.  | <a href="#">1627820000</a> | PCB plug-in connector, Accessories, Strain relief, black, Number of  |              | Box       |
| GTIN (EAN) | 4008190202552              | poles: 3   |              |           |
| Qty.       | 50 pc(s).                  |  |              |           |

DIE DEUTSCHE VERSION IST VERBINDLICH  
THE GERMAN VERSION IS BINDING

WEITERGABE SOWIE VERVIELFÄLTIGUNG DIESES DOKUMENTS, VERWERTUNG UND MITTEILUNG SEINES INHALTS SIND VERBOTEN, SOWEIT NICHT AUSDRUECKLICH GESTATTET.  
ZUWIDERHANDLUNGEN VERPFLICHTEN ZU SCHADENERSATZ. ALLE RECHTE FUER DEN FALL DER PATENT-, GEBRAUCHSMUSTER- ODER GESCHMACKSMUSTERENTRAGUNG VORBEHALTEN.  
THE REPRODUCTION, DISTRIBUTION AND UTILIZATION OF THIS DOCUMENT AS WELL AS THE COMMUNICATION OF ITS CONTENTS TO OTHERS WITHOUT EXPLICIT AUTHORIZATION IS PROHIBITED.  
OFFENDERS WILL BE HELD LIABLE FOR THE PAYMENT OF DAMAGES. WEIDMUELLER EXCLUSIVELY RESERVES THE RIGHT TO FILE FOR PATENTS, UTILITY MODELS OR DESIGNS.  
© WEIDMUELLER INTERFACE GmbH & Co.KG



|    |         |           |
|----|---------|-----------|
| 24 | 80,50   | 3,169     |
| 23 | 77,00   | 3,031     |
| 22 | 73,50   | 2,894     |
| 21 | 70,00   | 2,756     |
| 20 | 66,50   | 2,618     |
| 19 | 63,00   | 2,480     |
| 18 | 59,50   | 2,343     |
| 17 | 56,00   | 2,205     |
| 16 | 52,50   | 2,067     |
| 15 | 49,00   | 1,929     |
| 14 | 45,50   | 1,791     |
| 13 | 42,00   | 1,654     |
| 12 | 38,50   | 1,516     |
| 11 | 35,00   | 1,378     |
| 10 | 31,50   | 1,240     |
| 9  | 28,00   | 1,102     |
| 8  | 24,50   | 0,965     |
| 7  | 21,00   | 0,827     |
| 6  | 17,50   | 0,689     |
| 5  | 14,00   | 0,551     |
| 4  | 10,50   | 0,413     |
| 3  | 7,00    | 0,276     |
| 2  | 3,50    | 0,138     |
| n  | L1 [mm] | L1 [inch] |

For the mounting of PCBs, it should be noted that the rated data given in the catalogue relates only to the connection elements. The necessary creepage and clearance paths must be observed in connection with the respective applicant in accordance to VDE 0110. The current-carrying capacity and pitch tolerance is to be determined according to DIN IEC 326 part 3 very fine.

Weidmüller PCB components are tested to the DIN VDE 0627 standard, and are valid for its field of application. Provided that the components are used to the intended purpose, all requirements with respect to the occurring of electrical, mechanical, thermic and corrosive stress will be satisfied.

SHOWN: BL 3.50/04/180/LH...

|                             |                                 |  |   |  |
|-----------------------------|---------------------------------|--|---|--|
|                             | DIN ISO 2768-m                  |  | CAT.NO.:<br><b>C 22682</b> <span style="border: 1px solid black; border-radius: 50%; padding: 2px;">11</span> |  |
|                             | 69114/0<br>20.03.13 HELIS_MA 01 |  | DRAWING NO. SHEET 01 OF 02 SHEETS<br>ISSUE NO.  |  |
|                             |                                 | MODIFICATION   |   |  |
| SCALE: 2/1<br>SUPERSEDES: . |                                 | DATE NAME<br>DRAWN 21.07.2009 HELIS_MA<br>RESPONSIBLE LANG_T<br>CHECKED 04.04.2013 HECKERT_M<br>APPROVED HECKERT_M |   |  |
|                             |                                 | PRODUCT FILE: BL 3.50  |   |  |

**BL 3.50/./180/ L(H/R)**

BUCHSENLEISTE  
SOCKET BLOCK

7382

# Mouser Electronics

Authorized Distributor

Click to View Pricing, Inventory, Delivery & Lifecycle Information:

[Weidmuller:](#)

[1687960000](#)