

SL AT OR

Weidmüller Interface GmbH & Co. KG

Klingenbergstraße 26

D-32758 Detmold

Germany

www.weidmueller.com



No task is too small when creating the perfect solution. />

Connections form just one part of the overall process. Small details are often the key to the perfect solution in applications where potentials are tested, grouped or even isolated.

A system is not a system without small but useful details:

- Test plugs - ensure reliable pick-up from diagnostic sockets
- Cross-connectors - ensure a stable electrical distribution contact directly at the connection
- Compartment partition elements - divide a large number of male connectors into several separate socket connector channels
- Locks and clips - optional vibration-resistant clip-on connection or mounting for male and female connectors

In tandem with the manufacturing process and application - more accessories = smaller workload

General ordering data

Version	PCB plug-in connector, Accessories, Spacer, orange, Number of poles: 1
Order No.	1598300000
Type	SL AT OR
GTIN (EAN)	4008190189266
Qty.	100 pc(s).
Product data	
Packaging	Box

SL AT OR

Weidmüller Interface GmbH & Co. KG
 Klingenbergstraße 26
 D-32758 Detmold
 Germany

www.weidmueller.com

Technical data

Dimensions and weights

Net weight 0.26 g

Material data

Insulating material	PBT	Colour	orange
Colour chart (similar)	RAL 2000	Storage temperature, min.	-40 °C
Storage temperature, max.	70 °C	Operating temperature, min.	-50 °C
Operating temperature, max.	100 °C	Temperature range, installation, min.	-25 °C
Temperature range, installation, max.	100 °C		

Rated data acc. to IEC

tested acc. to standard IEC 60664-1, IEC 61984

Packing

Packaging	Box	VPE length	92 mm
VPE width	61 mm	VPE height	11 mm

Classifications

ETIM 6.0	EC002943	ETIM 7.0	EC002943
ETIM 8.0	EC002943	ECLASS 9.0	27-44-04-92
ECLASS 9.1	27-44-04-92	ECLASS 10.0	27-44-04-92
ECLASS 11.0	27-46-04-07		

Important note

IPC conformity Conformity: The products are developed, manufactured and delivered according international recognized standards and norms and comply with the assured properties in the data sheet resp. fulfill decorative properties in accordance with IPC-A-610 "Class 2". Further claims on the products can be evaluated on request.

Approvals

Approvals



ROHS Conform

Downloads

Approval/Certificate/Document of Conformity	Declaration of the Manufacturer
Catalogues	Catalogues in PDF-format
Brochures	FL DRIVES EN MB DEVICE MANUF. EN FL DRIVES DE FL BUILDING SAFETY EN FL APPL LED LIGHTING EN FLIndustr.CONTROLS EN FL MACHINE SAFETY EN FL HEATING ELECTR EN FL APPL INVERTER EN FL_BASE_STATION_EN FL ELEVATOR EN FL POWER SUPPLY EN FL 72H SAMPLE SER EN PO OMNIMATE EN PO OMNIMATE EN

Data sheet

SL AT OR

Weidmüller Interface GmbH & Co. KG
Klingenbergstraße 26
D-32758 Detmold
Germany

www.weidmueller.com

Drawings

Example of use

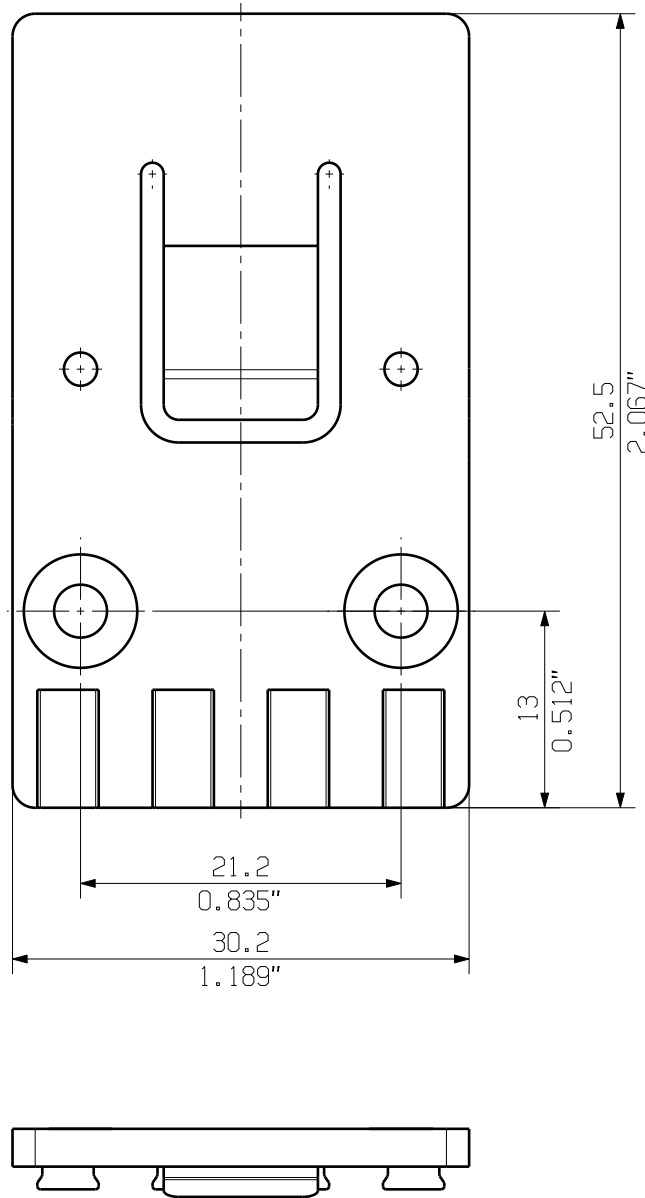


MASSE OHNE TOLERANZ SIND KEINE PRUEFMASSE
 DIMS. WITHOUT TOLERANCE ARE NOT CONTROL DIMS.

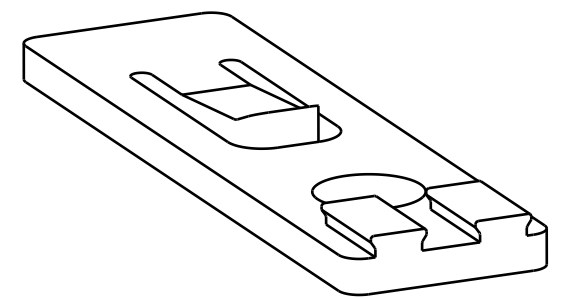
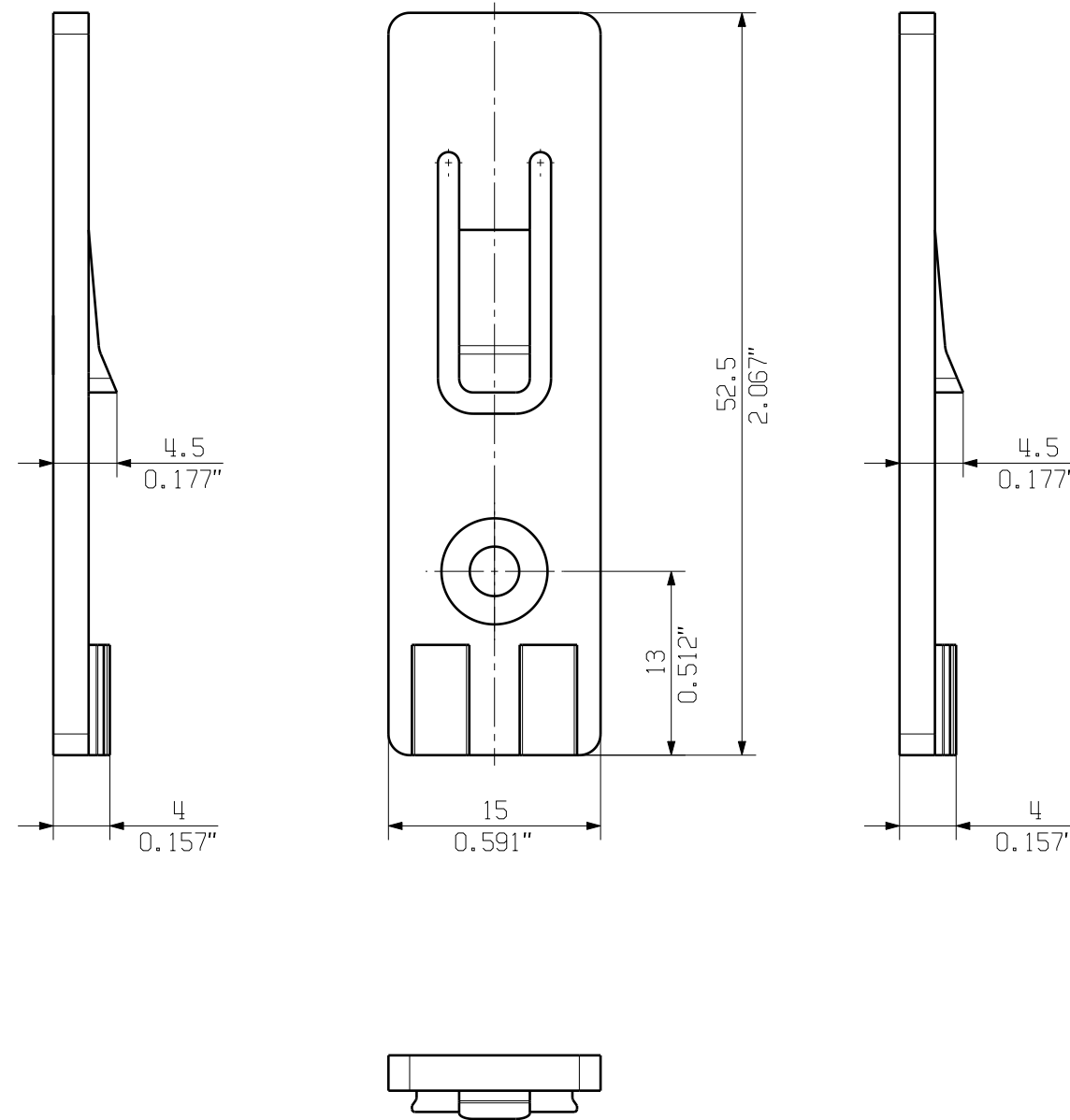
ALLGEMEINGUELTIGE KUNDENZEICHNUNG, AKTUELLER STAND NUR AUF ANFRAGE
 GENERAL CUSTOMER DRAWING, TOPICAL VERSION ONLY IF REQUIRED

DIE DEUTSCHE VERSION IST VERBINDLICH
 THE GERMAN VERSION IS BINDING

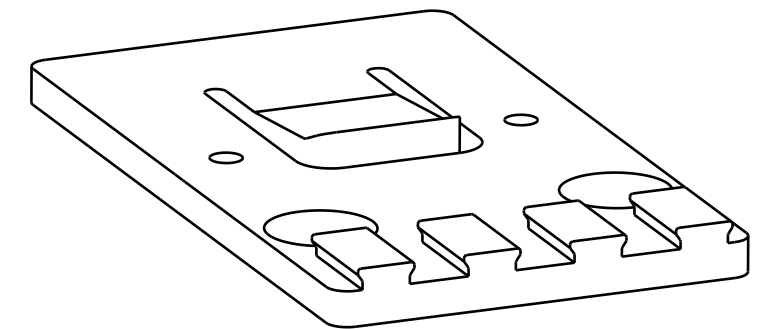
SHOWN: ARPL BV/SV7.62HP/4AN



SHOWN: ARPL BV/SV7.62HP/2AN



ARPL BV/SV7.62HP/2AN



ARPL BV/SV7.62HP/4AN

PA 66/6 V0 30 GF GR	BV/SV7.62HP/4AN ARPL GR	1937580000
PA 66/6 V0 30 GF GR	BV/SV7.62HP/2AN ARPL GR	1937570000
WERKSTOFF MATERIAL	TYP PART NAME	BEST.-NR. CAT.NO.

GENERAL TOLERANCE: DIN ISO 2768-mK		CAT.NO.: .	
	MAX. NRN./NOS.	84373/5 29.09.15 GUETZLAFF_T 01	
	MODIFICATION		
	DRAWN	12.12.2005	NEUMANN_G
	RESPONSIBLE		KRUG_M
	CHECKED	02.10.2015	LANG_T
SCALE: 2/1	CHECKED	02.10.2015	LANG_T
SUPERSEDES: .	APPROVED		LANG_T
BV/SV7.62HP... ARPL ADAPTERPLATTE ADAPTER PLATE			PRODUCT FILE: SV/BVZ 7.62 HP 7340

WEITERGABE SOWIE Vervielfaeltigung dieses Dokuments, Verwertung und Mitteilung seines Inhalts sind verboten, soweit nicht ausdruecklich gestattet.
 ZUWIDERHANDLUNGEN VERPFLICHTEN ZU SCHADENERSATZ. ALLE RECHTE FUER DEN FALL DER PATENT-, GEBRAUCHSMUSTER- ODER GESCHMACKSMUSTERREINTRAGUNG VORBEHALTEN.
 THE REPRODUCTION, DISTRIBUTION AND UTILIZATION OF THIS DOCUMENT AS WELL AS THE COMMUNICATION OF ITS CONTENTS TO OTHERS WITHOUT EXPLICIT AUTHORIZATION IS PROHIBITED.
 OFFENDERS WILL BE HELD LIABLE FOR THE PAYMENT OF DAMAGES. WEIDMUELLER EXCLUSIVELY RESERVES THE RIGHT TO FILE FOR PATENTS, UTILITY MODELS OR DESIGNS.
 © WEIDMUELLER INTERFACE GmbH & Co.KG

Mouser Electronics

Authorized Distributor

Click to View Pricing, Inventory, Delivery & Lifecycle Information:

[Weidmuller:](#)

[1598300000](#)